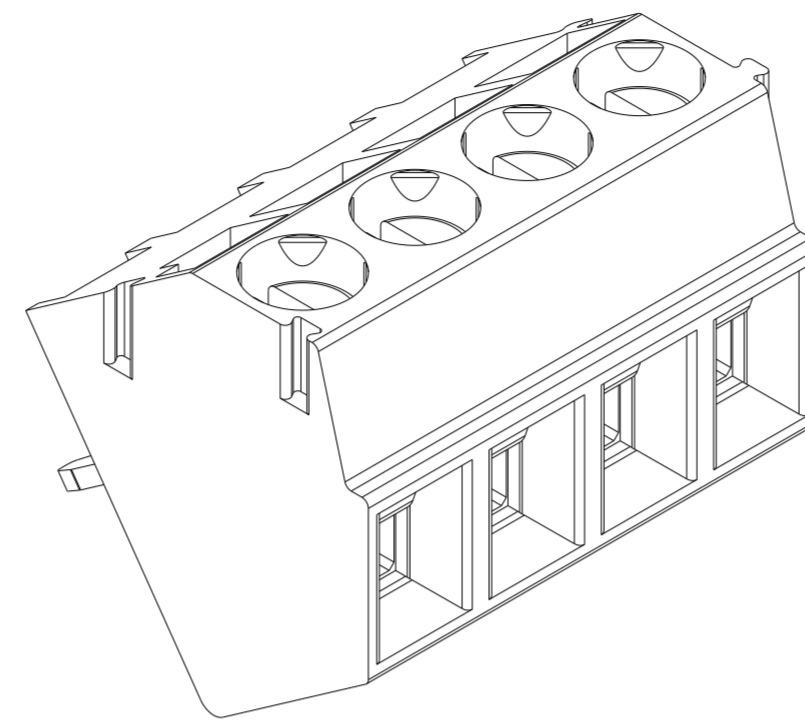
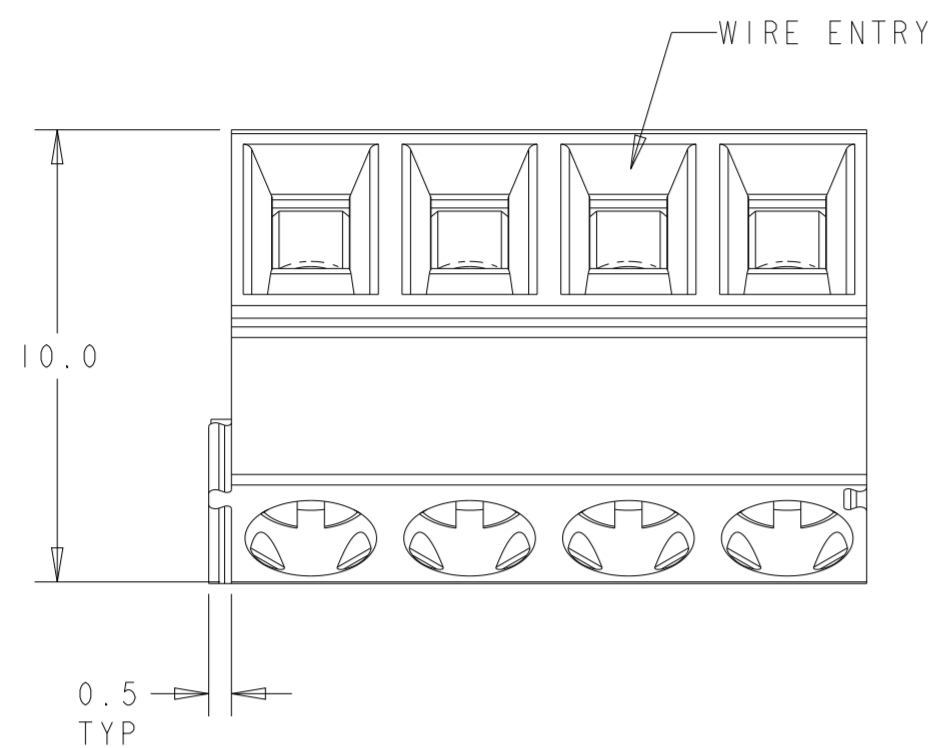


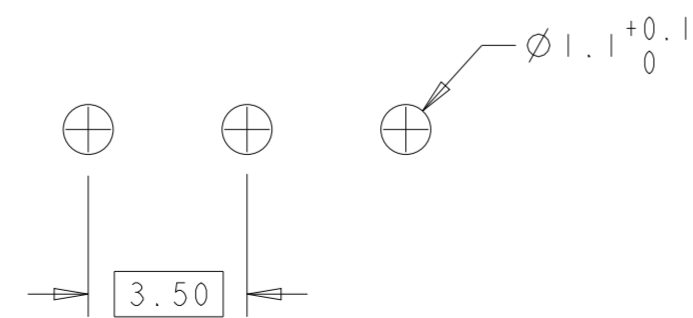
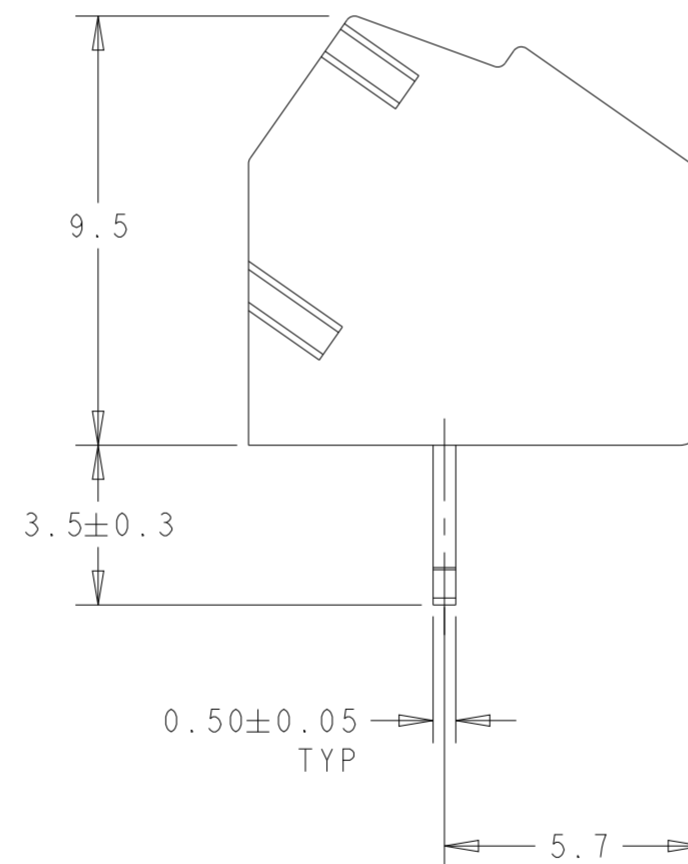
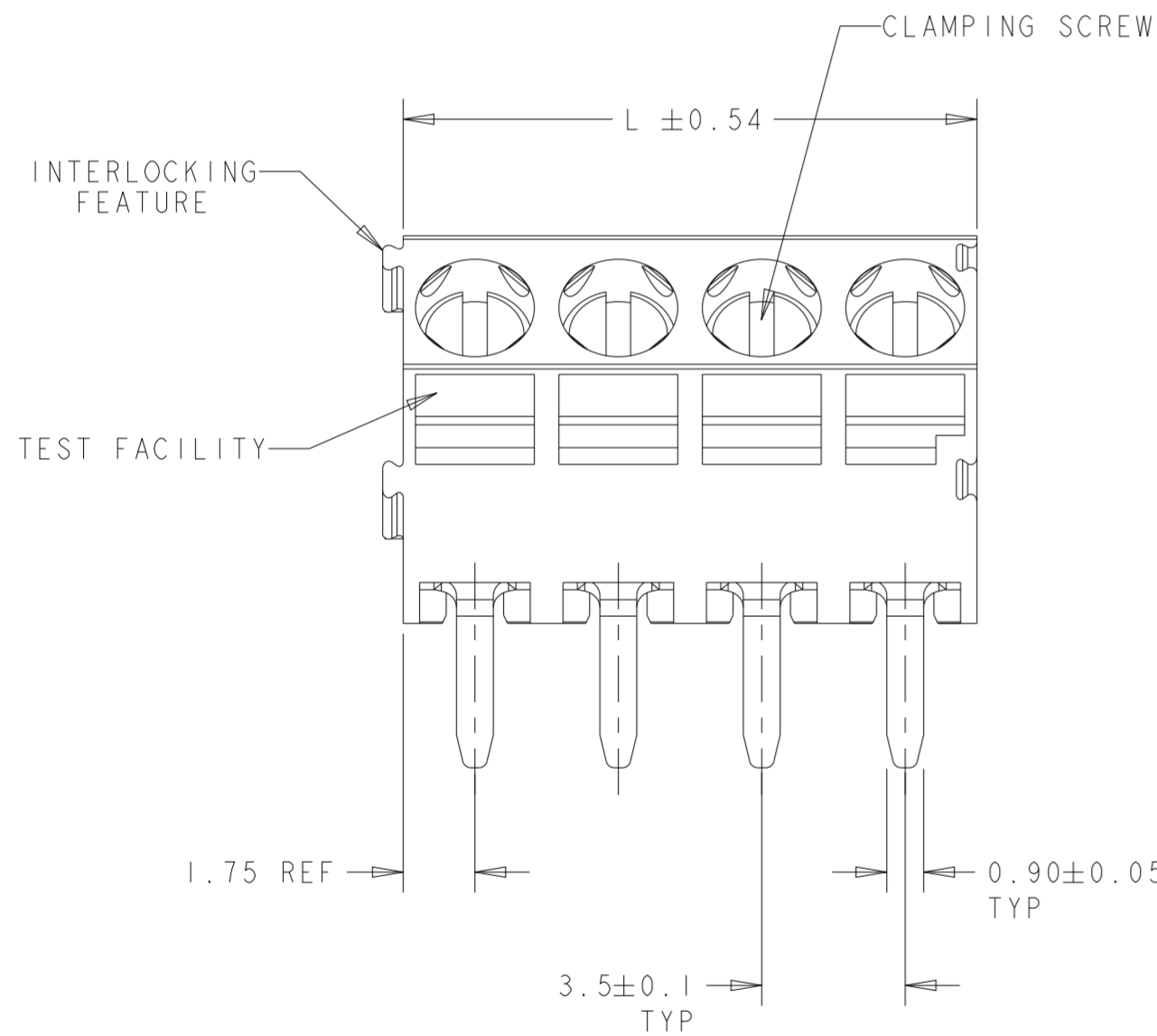
P	LTR	DESCRIPTION	DATE	DWN	APVD
0		RELEASED EC 0G3B-0612-04	02JUN2005	SW	CR
A		PART STATUS UPDATED	19OCT2021	SCB	SS



1776114-4 AS SHOWN

1. MATERIALS AND FINISH:  
 HOUSING: HIGH TEMPERATURE POLYAMIDE, UL 94V-0 RATED, COLOR: BLACK.  
 TERMINAL: COPPER ALLOY, TIN PLATED.  
 CLAMP: COPPER ALLOY, NICKEL PLATED.  
 CLAMPING SCREW: COPPER ALLOY, NICKEL PLATED.

2. WIRE SIZE RANGE: 16-28 AWG.  
 3. CURRENT RATING: 12A, 300V  
 OPERATING TEMPERATURE: -40°C TO +110°C  
 4. SUITABLE FOR 2.4mm MAX PC BOARD THICKNESS.



RECOMMENDED PC BOARD LAYOUT

42.00	12	1-1776114-2
38.50	11	1-1776114-1
35.00	10	1-1776114-0
31.50	9	1776114-9
28.00	8	1776114-8
24.50	7	1776114-7
21.00	6	1776114-6
17.50	5	1776114-5
14.00	4	<del>1776114-4</del>
10.50	3	1776114-3
7.00	2	1776114-2
L	NO OF POSN	PART NUMBER

OBSOLETE

THIS DRAWING IS A CONTROLLED DOCUMENT.

DWN S. WELDON 02JUN2005

CHK C. RICHARD 02JUN2005

APVD C. RICHARD 02JUN2005

PRODUCT SPEC

APPLICATION SPEC

WEIGHT

CUSTOMER DRAWING

DIMENSIONS:  
mm

TOLERANCES UNLESS OTHERWISE SPECIFIED:

0 PLC ±  
 1 PLC ±0.2  
 2 PLC ±0.25  
 3 PLC ±0.000  
 4 PLC ±0.000

ANGLES ±

FINISH

NAME

TERMINAL BLOCK, ANGLED ENTRY, 55 DEGREE, MODULAR, 3.5mm PITCH

SIZE

CAGE CODE

DRAWING NO

RESTRICTED TO

A2

00779

C-1776114

SCALE 6:1 SHEET 1 OF 1 REV A

