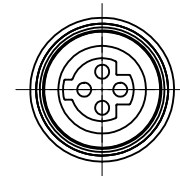
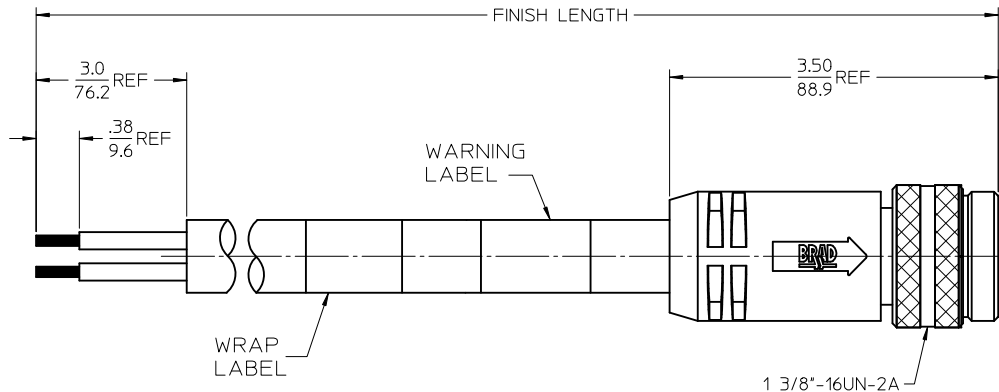
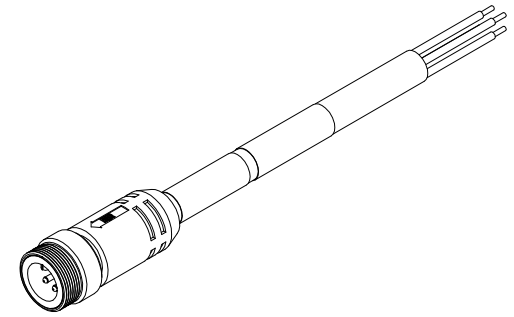
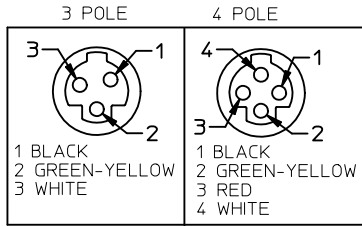


POLES	MATERIAL NO.	ENG. NO.	AMPS	LENGTH
3	1300630200	C03106A48M020	30	2M +89-0MM (6'7"+3.50-0)
4	1300630012	C04106A48M020	25	2M +89-0MM (6'7"+3.50-0)

FACE VIEW-MALE INSERT



SPECS:
 OVERMOLD: GRAY PVC W/BLACK STRIP
 INSERT: BLACK PVC
 COUPLING NUT: ANODIZED ALUMINUM
 CABLE: #10AWG GRAY PVC
 DUAL RATED UL TC/OPEN WIRING & STOOW
 ELECTRICAL: 600V AC/DC

CREATE DOC EC NO: WNAZ010-0435 DRWN:BRUPERT 2010/01/14 CHKD:BRUPERT 2010/01/15 APPR:JFMURPHY 2010/01/15	QUALITY SYMBOLS ▽=0 ▽=0	GENERAL TOLERANCES (UNLESS SPECIFIED)		DIMENSION STYLE IN/MM	SCALE INCH	DESIGN UNITS INCH	THIRD ANGLE PROJECTION	
		4 PLACES ± --- ± ---	mm INCH	DRAWN BY B. RUPERT	DATE 01/12/2010	TITLE QUICK CHANGE MALE STRAIGHT ALT KEY 3 & 4 POLE PORTABLES		
		3 PLACES ± --- ± ---		CHECKED BY B. WOODMAN	DATE 01/12/2010	MOLEX INCORPORATED		
		2 PLACES ± --- ± --- 1 PLACE ± --- ± ---		APPROVED BY JFMURPHY	DATE 2010/01/15	MATERIAL NO. SEE CHART	DOCUMENT NO. SD-130063-200	SHEET NO. 1 OF 1
DRAFT WHERE APPLICABLE MUST REMAIN WITHIN DIMENSIONS		ANGULAR ±1/2°		SIZE C	THIS DRAWING CONTAINS INFORMATION THAT IS PROPRIETARY TO MOLEX INCORPORATED AND SHOULD NOT BE USED WITHOUT WRITTEN PERMISSION			