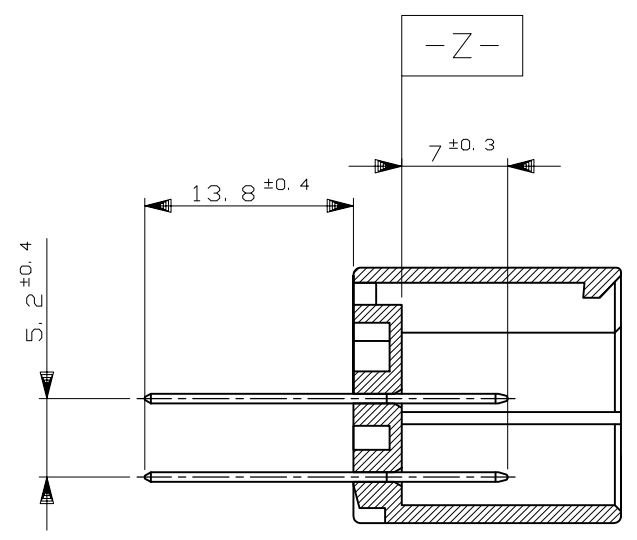
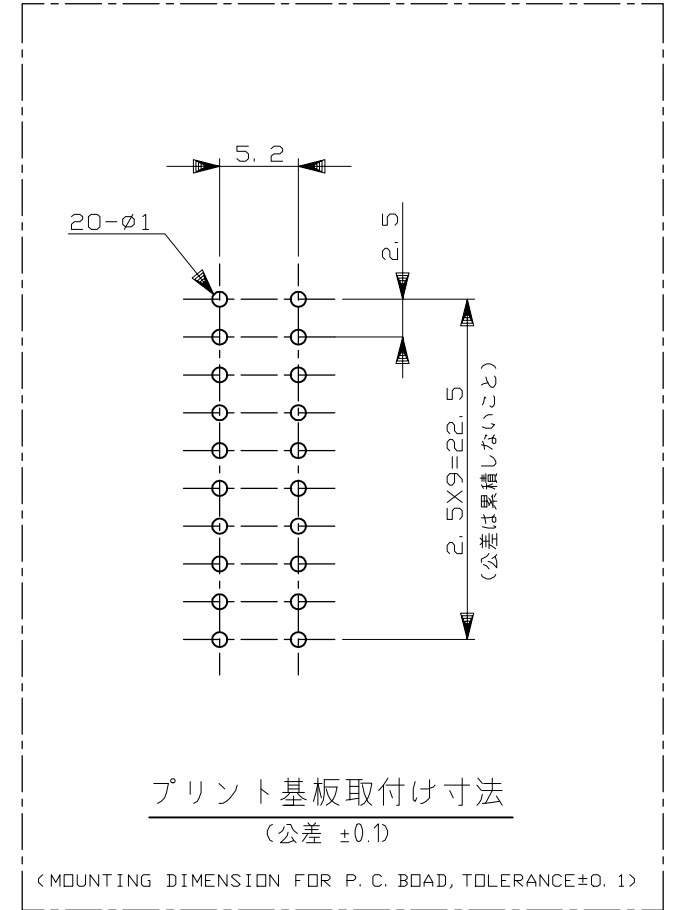
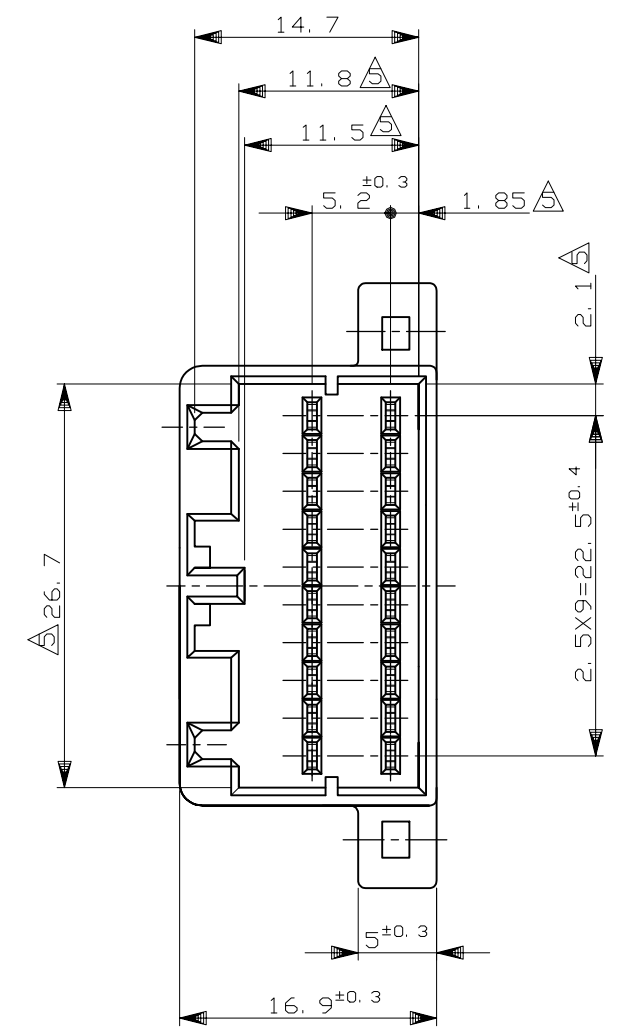
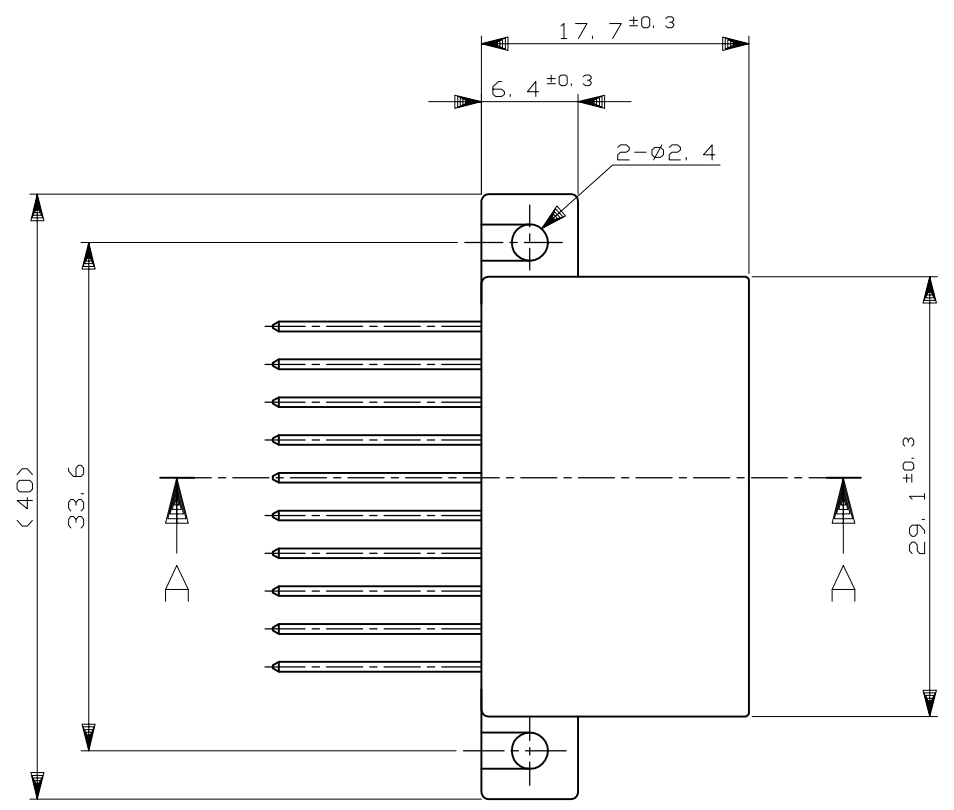


THIS DRAWING IS UNPUBLISHED. RELEASED FOR PUBLICATION
 © COPYRIGHT - By - ALL RIGHTS RESERVED.

| REVISIONS | | | | | |
|-----------|-----|-------------|---------------|-----------|-------|
| P | LTR | DESCRIPTION | DATE | DWN | APVD |
| | B2 | REVISED | ECR-18-015766 | 07JAN2019 | TS YN |



1. APPLICABLE P.C.B BOARD THICKNESS ; 1.6mm
 2. RECOMMENDED MOUNTING SCREW 3mm DIA 8mm LENGTH TAPPING SCREW SPECIFIED IN JIS B1115, B1112 (TIGHTENING TORQUE ; 0.392N・m MAX)
 3. THE MATING PLUG HSG. PART NUMBER ; 175967
 4. APPLICABLE PRODUCT SPEC NO. ; 108-5281
- ∇ TO BE MEASURED WITHIN 2mm FROM -Z-

1. 適用プリント基板厚 ; 1.6mm
 2. 推奨取付ネジ ; JIS B1115, B1122 タッピングネジ、ナベ2種呼び径3, 長さ8mm (締付トルク ; 0.392N・m 以下)
 3. 嵌合相手ハウジング ; 175967
 4. 適用製品規格番号 ; 108-5281
- ∇ -Z- 面より2mmの範囲で測定

| | | | |
|----------|------------------------------|--------------|-------------|
| OBSOLETE | 錫メッキ済 (PRE-TINNED) | 青 (BLUE) | 1-316875-5 |
| OBSOLETE | 錫メッキ済 (PRE-TINNED) | 黒 (BLACK) | 1-316875-2 |
| | CONTACT FINISH (CONTACT 仕上げ) | HSG色 (COLOR) | PART NUMBER |

断面 A-A
<SECT. A-A>

OBSOLETE

GENERAL TOLERANCE

| | |
|--------------|---------|
| 0 < x ≤ 10 | : ±0.2 |
| 10 < x ≤ 30 | : ±0.25 |
| 30 < x ≤ 100 | : ±0.3 |
| ANGLE | : ±3° |

THIS DRAWING IS A CONTROLLED DOCUMENT.

| | |
|----------------|----------------------------------------|
| DIMENSIONS: mm | TOLERANCES UNLESS OTHERWISE SPECIFIED: |
| 0 PLC | ± - |
| 1 PLC | ± - |
| 2 PLC | ± - |
| 3 PLC | ± - |
| 4 PLC | ± - |
| ANGLES | ± - |
| FINISH | - |

MATERIAL
ハウジング : PBT
コンタクト : 黄銅

| | | | | | |
|------------------|--------------|---------|--------------------------------------------------------------------------------------|------------|---------------|
| DWN | T.SHINOHARA | 1/11'96 | TE Connectivity | | |
| CHK | M.TSUKAKOSHI | 1/11'96 | | | |
| APVD | A.TOMITA | 1/11'96 | | | |
| PRODUCT SPEC | SEE NOTE 4 | | | | |
| APPLICATION SPEC | - | | NAME 040 SERIES MULTI-LOCK I/O CONNECTOR MK-II 20POSITION CAP HOUSING ASSEMBLY | | |
| WEIGHT | 6.5 g | SIZE | CAGE CODE | DRAWING NO | RESTRICTED TO |
| CUSTOMER DRAWING | | A3 | 00779 | C-316875 | - |
| SCALE | | 2:1 | SHEET | 1 OF 1 | REV |
| | | | | | B2 |