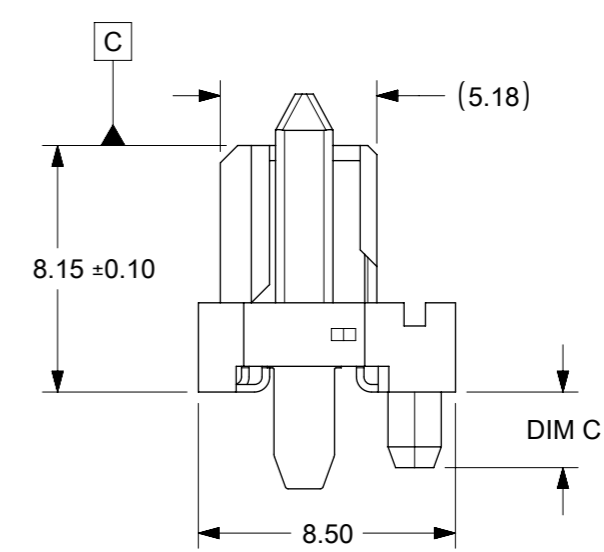
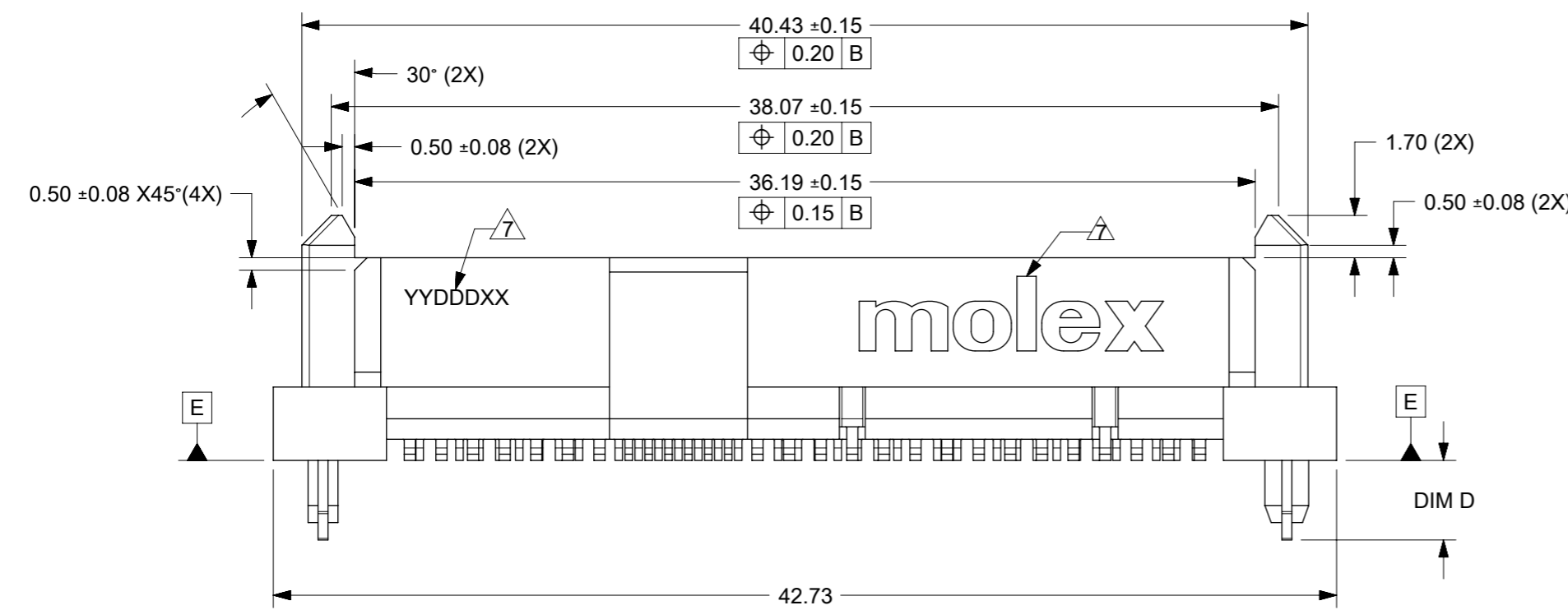


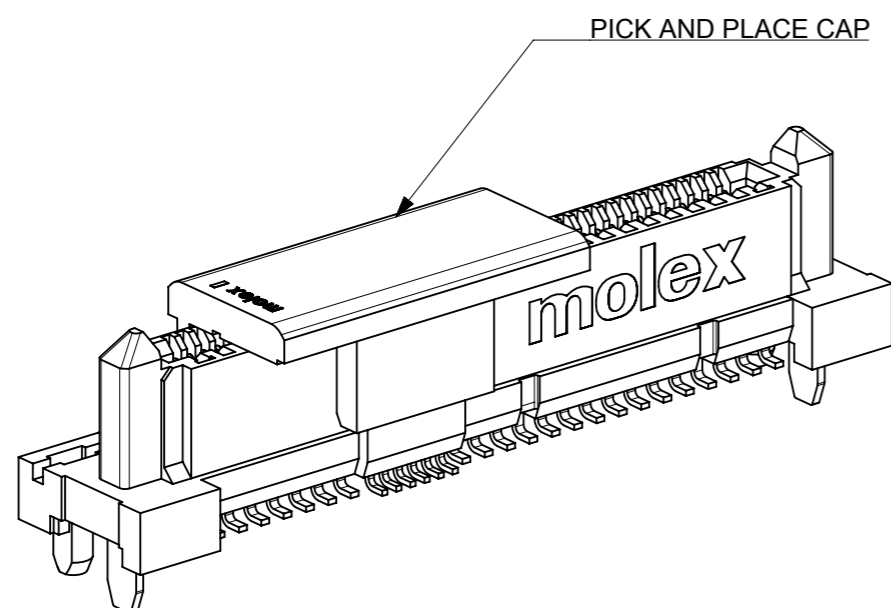
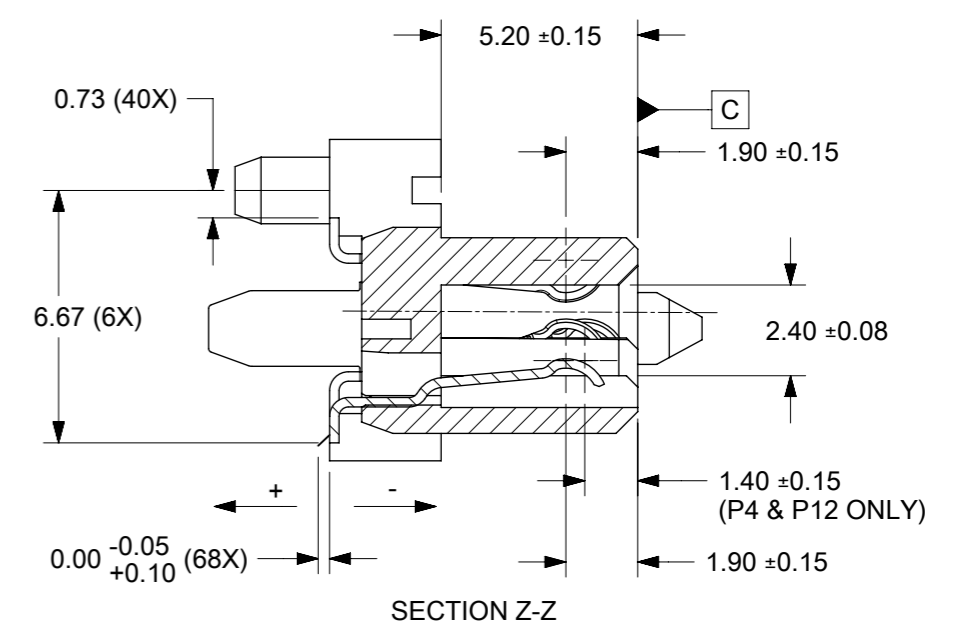
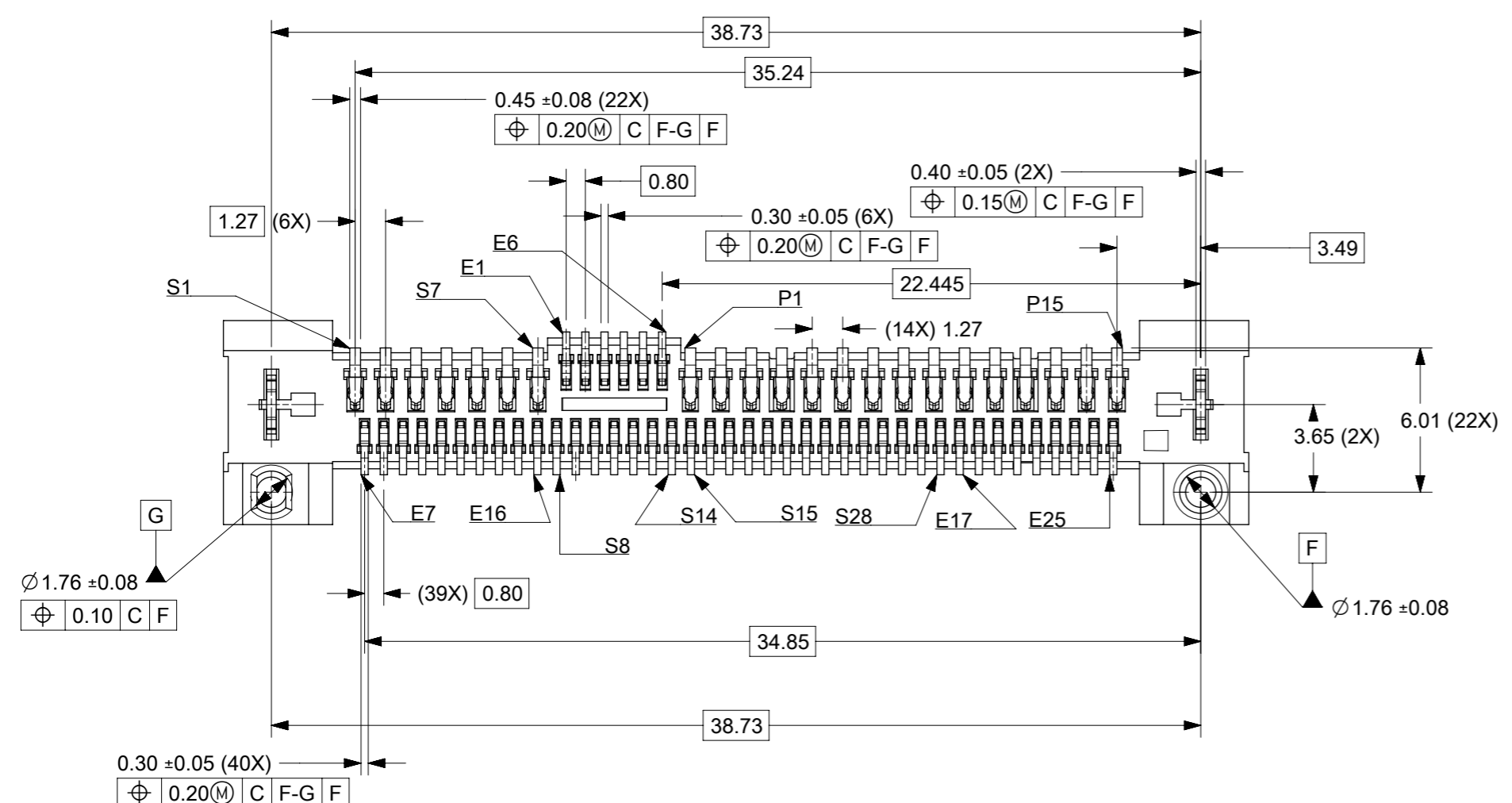
- NOTES:
- MATERIALS:  
HOUSING: LCP, GLASS FILLED, UL94V-0, COLOR: BLACK  
PICK AND PLACE CAP: LCP, GLASS FILLED, UL94V-0, COLOR: BLACK  
TERMINALS & MOUNT BLADE: COPPER ALLOY
  - FINISHES:  
TERMINALS:  
0.76µM MIN GOLD ON CONTACTS OVER 1.27µM MIN NICKEL UNDERPLATE.  
2.54µM MIN TIN ON SOLDER TAIL OVER 1.27µM MIN NICKEL UNDERPLATE.  
MOUNT BLADE: 2.54µM MIN TIN OVER 1.27µM MIN NICKEL UNDERPLATE
  - PRODUCT SPECIFICATION: PS-78784-001
  - PACKAGING SPECIFICATION: PK-78784-001
  - MATES WITH: SFF 8639 PLUG, SFF8482 PLUG, SFF8680 PLUG.
  - NON FUNCTIONAL CORING TO VARIES.
  - MOLEX LOGO, DATE CODE AND CAVITY ID TO BE LOCATED APPROXIMATELY AS SHOWN.
  - ALL DESIGNATED GROUND PINS BY DESIGN ARE A SINGLE RETURN PATH.



THIS DESIGN IS BASED ON DESIGN OBJECTIVES AND IS STRICTLY TENTATIVE. IT MAY CHANGE BASED ON RESULTS OF ADDITIONAL DESIGN REVIEWS & VERIFICATIONS.

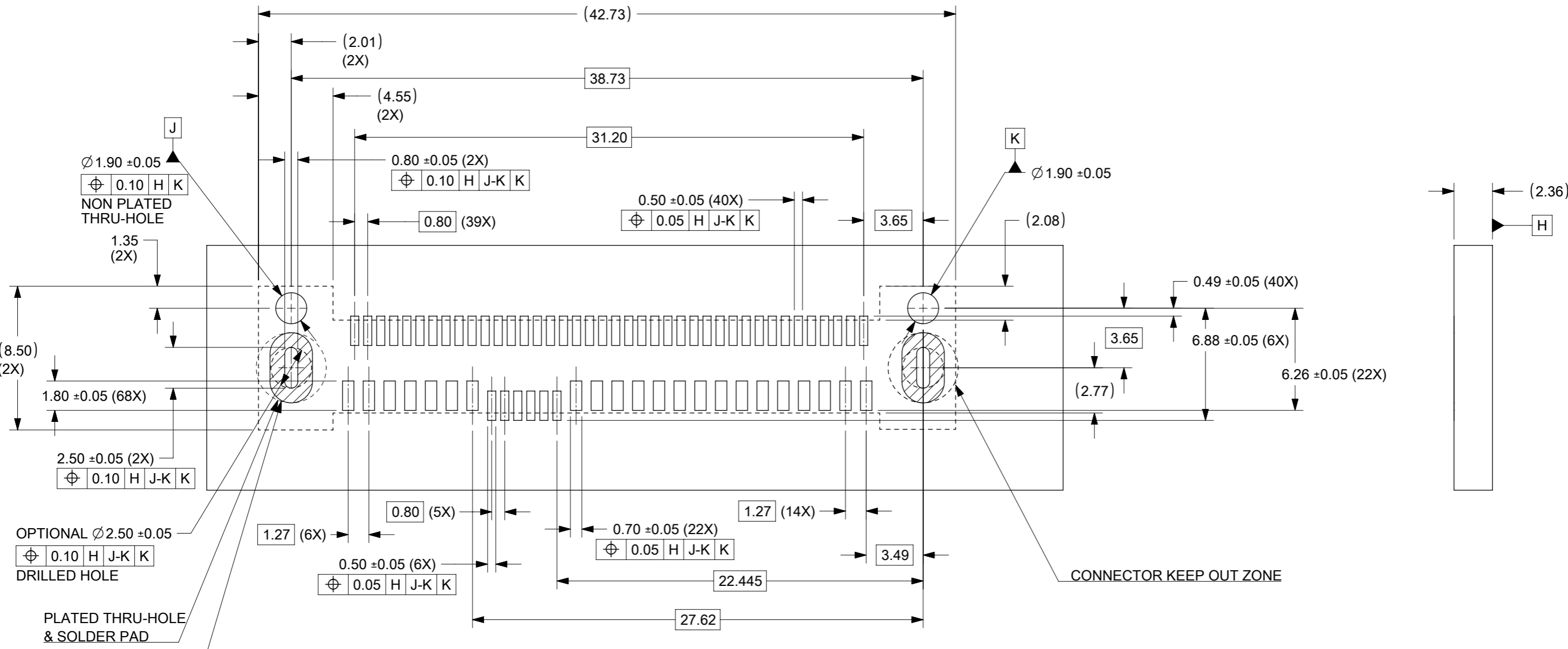
YYDDXX  
YEAR  
DAYS  
ASSEMBLY LINE CODE  
1#-EXISTING LINE  
2#-NEW LINE

THIS DRAWING CONTAINS INFORMATION THAT IS PROPRIETARY TO MOLEX ELECTRONIC TECHNOLOGIES, LLC AND SHOULD NOT BE USED WITHOUT WRITTEN PERMISSION									
DIMENSION UNITS	SCALE	CURRENT REV DESC: UPDATED CUSTOMER NAME TO "GENERAL MARKET".							
mm	NTS								
GENERAL TOLERANCES (UNLESS SPECIFIED)									
ANGULAR TOL	± 3.0°	SAS/ PCIE STD HEIGHT BACKPLANE SMT RECEPTACLE MOUNT BLADE							
4 PLACES	±	PRODUCT CUSTOMER DRAWING							
3 PLACES	±	DOCUMENT NUMBER							
2 PLACES	± 0.2	SD-78784-001							
1 PLACE	±	DOC TYPE DOC PART REVISION							
0 PLACES	±	PSD 000 B1							
DRAFT WHERE APPLICABLE MUST REMAIN WITHIN DIMENSIONS	THIRD ANGLE PROJECTION	DRAWING	SERIES	MATERIAL NUMBER	CUSTOMER	SHEET NUMBER			
		A3-SIZE	78784	SEE TABLE	GENERAL MARKET	1 OF 3			



THIS DRAWING CONTAINS INFORMATION THAT IS PROPRIETARY TO MOLEX ELECTRONIC TECHNOLOGIES, LLC AND SHOULD NOT BE USED WITHOUT WRITTEN PERMISSION									
DIMENSION UNITS	SCALE	CURRENT REV DESC: UPDATED CUSTOMER NAME TO "GENERAL MARKET".							
mm	NTS	<div style="text-align: center;"><b>molex</b></div> SAS/ PCIE STD HEIGHT BACKPLANE SMT RECEPTACLE MOUNT BLADE							
GENERAL TOLERANCES (UNLESS SPECIFIED)									
ANGULAR TOL	± 3.0 °	PRODUCT CUSTOMER DRAWING							
4 PLACES	±	EC NO: 676205	2021/08/24		DOCUMENT NUMBER				
3 PLACES	±	DRWN: YOGEEB	2021/09/01		SD-78784-001				
2 PLACES	± 0.2	CHK'D: CWANG25	2021/09/08		DOC TYPE		DOC PART		
1 PLACE	±	APPR: SHONG	2021/09/08		PSD		000		
0 PLACES	±	INITIAL REVISION:	2016/09/20		REVISION		B1		
DRAFT WHERE APPLICABLE MUST REMAIN WITHIN DIMENSIONS		DRWN: ABIJAPUR	2018/06/20		MATERIAL NUMBER		CUSTOMER		
THIRD ANGLE PROJECTION		APPR: SHONG	A3-SIZE		78784		SEE TABLE		GENERAL MARKET
SHEET NUMBER		2 OF 3							

PART NO	DIM C PEG HEIGHT (2X)	DIM D PEG HEIGHT (2X)
78784-0001	2.50	3.20
78784-0002	2.00	2.00



RECOMMENDED PCB LAYOUT (COMPONENT SIDE)  
PCB THICKNESS: 2.36±0.10 MM

THIS DRAWING CONTAINS INFORMATION THAT IS PROPRIETARY TO MOLEX ELECTRONIC TECHNOLOGIES, LLC AND SHOULD NOT BE USED WITHOUT WRITTEN PERMISSION										
DIMENSION UNITS <b>mm</b>	SCALE <b>NTS</b>	CURRENT REV DESC: UPDATED CUSTOMER NAME TO "GENERAL MARKET".								
GENERAL TOLERANCES (UNLESS SPECIFIED)		<div style="text-align: center;"><b>molex</b></div> <p>SAS/ PCIE STD HEIGHT BACKPLANE SMT RECEPTACLE MOUNT BLADE</p> <p>PRODUCT CUSTOMER DRAWING</p>								
ANGULAR TOL	± 3.0 °									
4 PLACES	±									
3 PLACES	±									
2 PLACES	± 0.2									
1 PLACE	±	EC NO: 676205		DRWN: YOGEEB		2021/08/24		2021/09/01		
0 PLACES	±	CHK'D: CWANG25		APPR: SHONG		2021/09/08		2021/09/08		
DRAFT WHERE APPLICABLE MUST REMAIN WITHIN DIMENSIONS		THIRD ANGLE PROJECTION	DRAWING	SERIES	MATERIAL NUMBER	CUSTOMER	DOCUMENT NUMBER	DOC TYPE	DOC PART	REVISION
			A3-SIZE	78784	SEE TABLE	GENERAL MARKET	SD-78784-001	PSD	000	B1