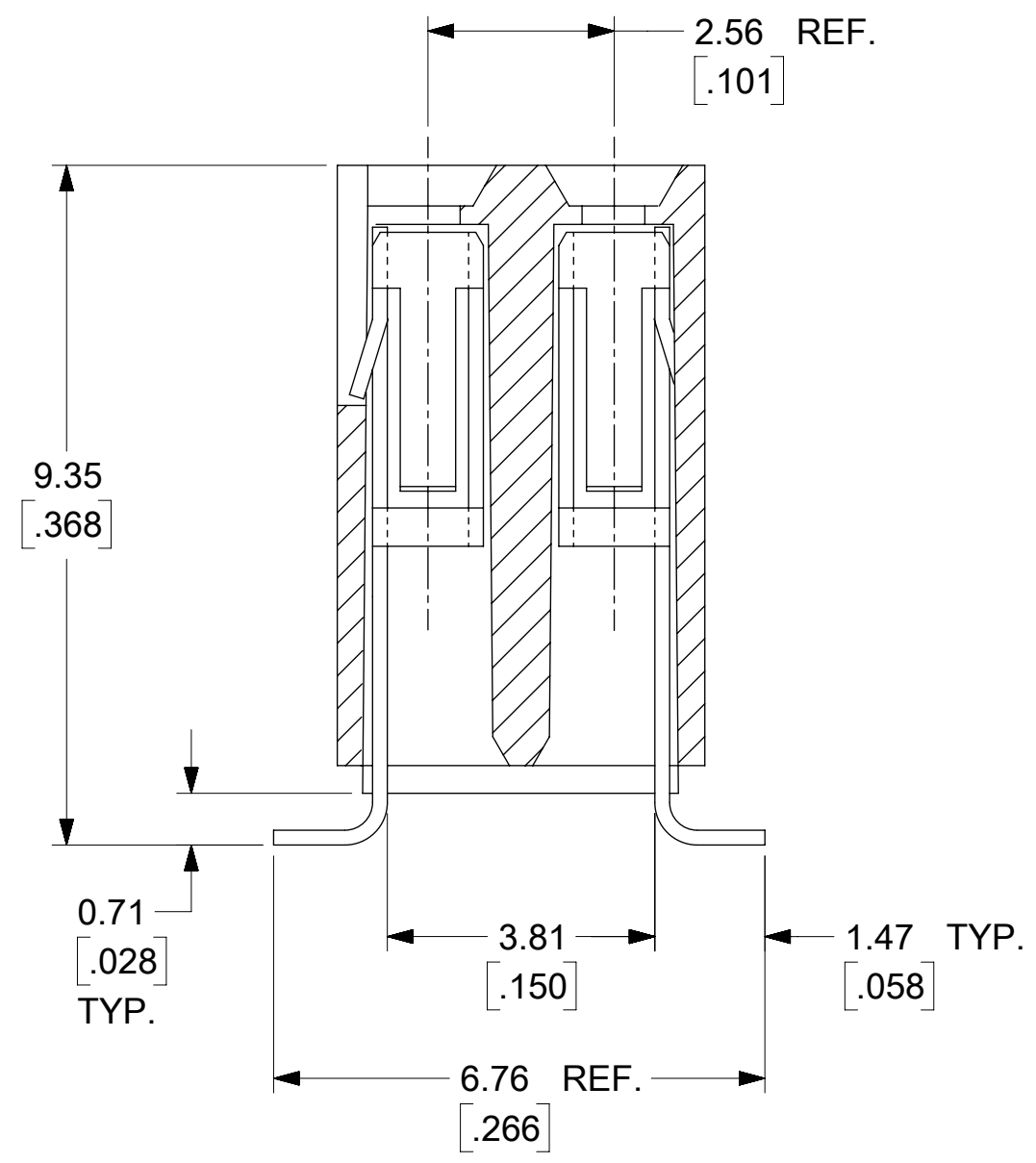
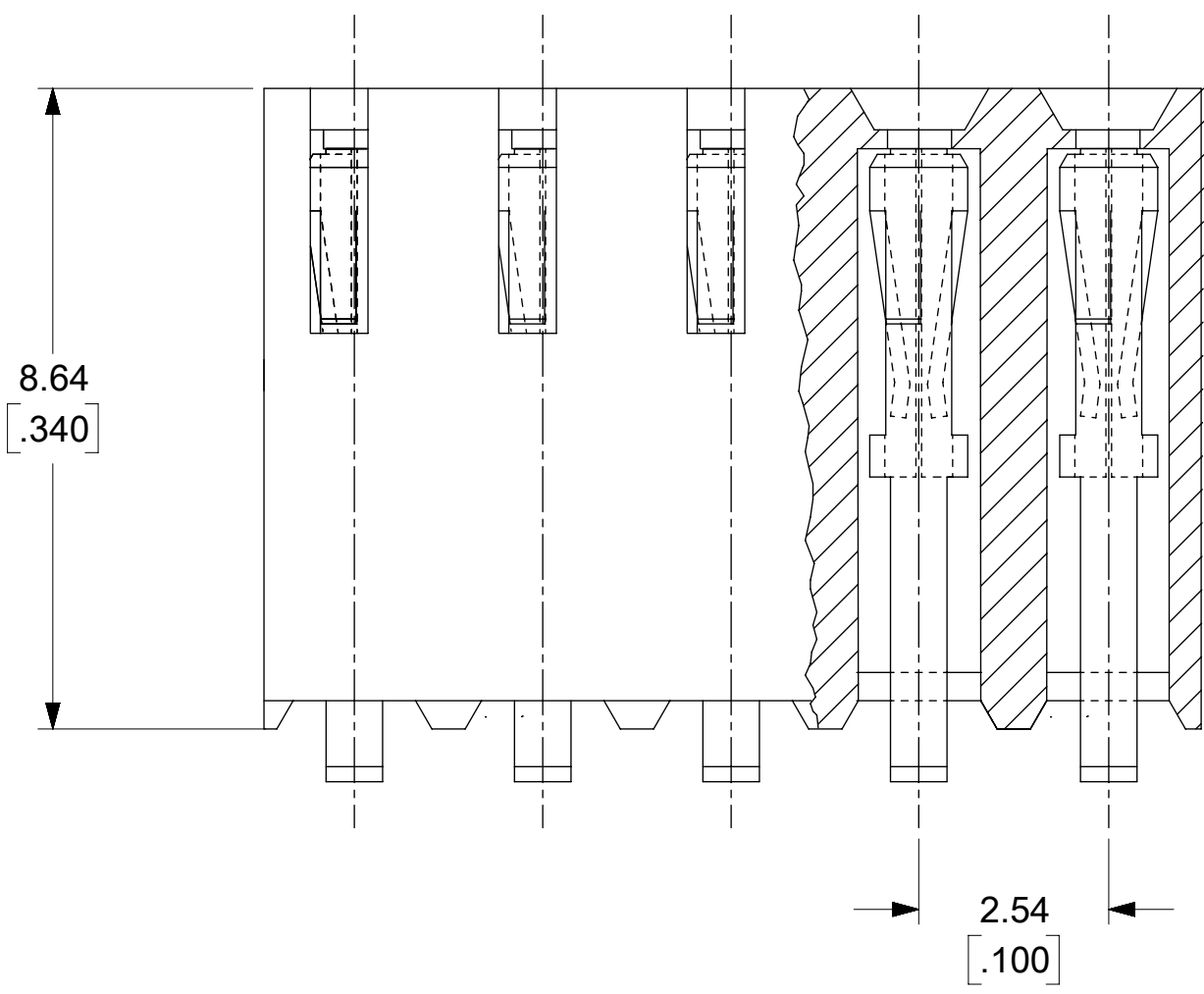


RECOMMENDED P.C. BOARD LAYOUT
SCALE 4:1



SECTION B-B

- VERSION WITHOUT PCB RETENTION PEGS -

- NOTES:
- HOUSING MATERIAL: G.F LCP: UL 94 V-0
COLOR : BLACK
 - TERMINAL MATERIAL: (0.20)/.008 PHOSPHOR BRONZE.
 - SEE SHEET 2 FOR CIRCUIT SIZES AND OVER-ALL DIMENSIONS.
 - PART CONFORMS TO PS-71395.
 - PACKAGING:
FOR TRAY PACK SEE PK-70873-0304
FOR TAPE AND REEL PACK SEE PK-71395-001
 - PRODUCT COMPLIES WITH CLASS B OF COSMETIC SPECIFICATION PS-45499-002

THIS DRAWING CONTAINS INFORMATION THAT IS PROPRIETARY TO MOLEX ELECTRONIC TECHNOLOGIES, LLC AND SHOULD NOT BE USED WITHOUT WRITTEN PERMISSION									
DIMENSION UNITS		SCALE		CURRENT REV DESC:					
MM/IN		10:1							
GENERAL TOLERANCES (UNLESS SPECIFIED)				EC NO: 619055					
		MM	INCH	DRWN: NVELUSAMY 2019/02/05					
4 PLACES		±	±	CHK'D: NMANE02 2019/07/09					
3 PLACES		±	± 0.01	APPR: MRAMAKRISHNA 2019/07/09					
2 PLACES		± 0.25	± 0.014	INITIAL REVISION:					
1 PLACE		± 0.35	±	DRWN:					
0 PLACES		±	±	APPR:					
ANGULAR TOL		± 0.5 °		THIRD ANGLE PROJECTION		DRAWING		SERIES	
DRAFT WHERE APPLICABLE MUST REMAIN WITHIN DIMENSIONS				C-SIZE		71395			
				DOCUMENT NUMBER		DOC TYPE		DOC PART	
				SDA-71395-1XXX		PSD		001	
				MATERIAL NUMBER		CUSTOMER		SHEET NUMBER	
				SEE CHART		GENERAL MARKET		1 OF 4	



CONNECTOR DUAL ROW
VERTICAL SURFACE MOUNT TOP ENTRY ON .100 GRID

PRODUCT CUSTOMER DRAWING

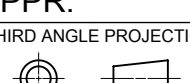
NO. OF CKTS.		TIN PLATING			15 GOLD PLATING			30 GOLD PLATING			DIM. "A"		DIM. "B"		INCH	MM
PER ROW	TOTAL	E.D.P. NO.	ENG. NO.	TRAY PACKAGING	E.D.P. NO.	ENG. NO.	TRAY PACKAGING	E.D.P. NO.	ENG. NO.	TRAY PACKAGING	INCH	MM	INCH	MM		
2	4	NA	AX-71395-1004	PK-70873-0304	NA	AX-71395-1104	PK-70873-0304	NA	AX-71395-1204	PK-70873-0304	.100	2.54	.199	5.05		
3	6	71395-1006	A-71395-1006	PK-70873-0304	71395-1106	A-71395-1106	PK-70873-0304	71395-1206	A-71395-1206	PK-70873-0304	.200	5.08	.299	7.59		
4	8	15-45-3208	A-71395-1008	PK-70873-0304	15-45-3108	A-71395-1108	PK-70873-0304	15-45-3308	A-71395-1208	PK-70873-0304	.300	7.62	.399	10.13		
5	10	15-45-3208	A-71395-1010	PK-70873-0304	15-45-3110	A-71395-1110	PK-70873-0304	15-45-3310	A-71395-1210	PK-70873-0304	.400	10.16	.499	12.67		
6	12	15-45-3208	A-71395-1012	PK-70873-0304	15-45-3112	A-71395-1112	PK-70873-0304	15-45-3312	A-71395-1212	PK-70873-0304	.500	12.70	.599	15.21		
7	14	15-45-3208	A-71395-1014	PK-70873-0304	15-45-3114	A-71395-1114	PK-70873-0304	15-45-3314	A-71395-1214	PK-70873-0304	.600	15.24	.699	17.75		
8	16	15-45-3208	A-71395-1016	PK-70873-0304	15-45-3116	A-71395-1116	PK-70873-0304	15-45-3316	A-71395-1216	PK-70873-0304	.700	17.78	.799	20.29		
9	18	15-45-3208	A-71395-1018	PK-70873-0304	15-45-3118	A-71395-1118	PK-70873-0304	15-45-3318	A-71395-1218	PK-70873-0304	.800	20.32	.899	22.83		
10	20	15-45-3208	A-71395-1020	PK-70873-0304	15-45-3120	A-71395-1120	PK-70873-0304	15-45-3320	A-71395-1220	PK-70873-0304	.900	22.86	.999	25.37		
11	22	15-45-3208	A-71395-1022	PK-70873-0304	15-45-3122	A-71395-1122	PK-70873-0304	15-45-3322	A-71395-1222	PK-70873-0304	1.000	25.40	1.099	27.91		
12	24	15-45-3208	A-71395-1024	PK-70873-0304	15-45-3124	A-71395-1124	PK-70873-0304	15-45-3324	A-71395-1224	PK-70873-0304	1.100	27.94	1.199	30.45		
13	26	15-45-3208	A-71395-1026	PK-70873-0304	15-45-3126	A-71395-1126	PK-70873-0304	15-45-3326	A-71395-1226	PK-70873-0304	1.200	30.48	1.299	32.99		
14	28	15-45-3208	A-71395-1028	PK-70873-0304	15-45-3128	A-71395-1128	PK-70873-0304	15-45-3328	A-71395-1228	PK-70873-0304	1.300	33.02	1.399	35.53		
15	30	15-45-3208	A-71395-1030	PK-70873-0304	15-45-3130	A-71395-1130	PK-70873-0304	15-45-3330	A-71395-1230	PK-70873-0304	1.400	35.56	1.499	38.07		
16	32	15-45-3208	A-71395-1032	PK-70873-0304	15-45-3132	A-71395-1132	PK-70873-0304	15-45-3332	A-71395-1232	PK-70873-0304	1.500	38.10	1.599	40.61		
17	34	15-45-3208	A-71395-1034	PK-70873-0304	15-45-3134	A-71395-1134	PK-70873-0304	15-45-3334	A-71395-1234	PK-70873-0304	1.600	40.64	1.699	43.15		
18	36	15-45-3208	A-71395-1036	PK-70873-0304	15-45-3136	A-71395-1136	PK-70873-0304	15-45-3336	A-71395-1236	PK-70873-0304	1.700	43.18	1.799	45.69		
19	38	15-45-3208	A-71395-1038	PK-70873-0304	15-45-3138	A-71395-1138	PK-70873-0304	15-45-3338	A-71395-1238	PK-70873-0304	1.800	45.72	1.899	48.23		
20	40	15-45-3208	A-71395-1040	PK-70873-0304	15-45-3140	A-71395-1140	PK-70873-0304	15-45-3340	A-71395-1240	PK-70873-0304	1.900	48.26	1.999	50.77		
21	42	15-45-3208	A-71395-1042	PK-70873-0304	15-45-3142	A-71395-1142	PK-70873-0304	15-45-3342	A-71395-1242	PK-70873-0304	2.000	50.80	2.099	53.31		
22	44	15-45-3208	A-71395-1044	PK-70873-0304	15-45-3144	A-71395-1144	PK-70873-0304	15-45-3344	A-71395-1244	PK-70873-0304	2.100	53.34	2.199	55.85		
23	46	15-45-3208	A-71395-1046	PK-70873-0304	15-45-3146	A-71395-1146	PK-70873-0304	15-45-3346	A-71395-1246	PK-70873-0304	2.200	55.88	2.299	58.39		
24	48	15-45-3208	A-71395-1048	PK-70873-0304	15-45-3148	A-71395-1148	PK-70873-0304	15-45-3348	A-71395-1248	PK-70873-0304	2.300	58.42	2.399	60.93		
25	50	15-45-3208	A-71395-1050	PK-70873-0304	15-45-3150	A-71395-1150	PK-70873-0304	15-45-3350	A-71395-1250	PK-70873-0304	2.400	60.96	2.499	63.47		
26	52	15-45-3208	A-71395-1052	PK-70873-0304	15-45-3152	A-71395-1152	PK-70873-0304	15-45-3352	A-71395-1252	PK-70873-0304	2.500	63.50	2.599	66.01		
27	54	15-45-3208	A-71395-1054	PK-70873-0304	15-45-3154	A-71395-1154	PK-70873-0304	15-45-3354	A-71395-1254	PK-70873-0304	2.600	66.04	2.699	68.55		
28	56	15-45-3208	A-71395-1056	PK-70873-0304	15-45-3156	A-71395-1156	PK-70873-0304	15-45-3356	A-71395-1256	PK-70873-0304	2.700	68.58	2.799	71.09		
29	58	15-45-3208	A-71395-1058	PK-70873-0304	15-45-3158	A-71395-1158	PK-70873-0304	15-45-3358	A-71395-1258	PK-70873-0304	2.800	71.12	2.899	73.63		
30	60	15-45-3208	A-71395-1060	PK-70873-0304	15-45-3160	A-71395-1160	PK-70873-0304	15-45-3360	A-71395-1260	PK-70873-0304	2.900	73.66	2.999	76.17		
31	62	15-45-3208	A-71395-1062	PK-70873-0304	15-45-3162	A-71395-1162	PK-70873-0304	15-45-3362	A-71395-1262	PK-70873-0304	3.000	76.20	3.099	78.71		
32	64	15-45-3208	A-71395-1064	PK-70873-0304	15-45-3164	A-71395-1164	PK-70873-0304	15-45-3364	A-71395-1264	PK-70873-0304	3.100	78.74	3.199	81.25		
33	66	15-45-3208	A-71395-1066	PK-70873-0304	15-45-3166	A-71395-1166	PK-70873-0304	15-45-3366	A-71395-1266	PK-70873-0304	3.200	81.28	3.299	83.79		
34	68	15-45-3208	A-71395-1068	PK-70873-0304	15-45-3168	A-71395-1168	PK-70873-0304	15-45-3368	A-71395-1268	PK-70873-0304	3.300	83.82	3.399	86.33		
35	70	15-45-3208	A-71395-1070	PK-70873-0304	15-45-3170	A-71395-1170	PK-70873-0304	15-45-3370	A-71395-1270	PK-70873-0304	3.400	86.36	3.499	88.87		
36	72	15-45-3208	A-71395-1072	PK-70873-0304	15-45-3172	A-71395-1172	PK-70873-0304	15-45-3372	A-71395-1272	PK-70873-0304	3.500	88.90	3.599	91.41		
37	74	15-45-3208	A-71395-1074	PK-70873-0304	15-45-3174	A-71395-1174	PK-70873-0304	15-45-3374	A-71395-1274	PK-70873-0304	3.600	91.44	3.699	93.95		
38	76	15-45-3208	A-71395-1076	PK-70873-0304	15-45-3176	A-71395-1176	PK-70873-0304	15-45-3376	A-71395-1276	PK-70873-0304	3.700	93.98	3.799	96.49		
39	78	15-45-3208	A-71395-1078	PK-70873-0304	15-45-3178	A-71395-1178	PK-70873-0304	15-45-3378	A-71395-1278	PK-70873-0304	3.800	96.52	3.899	99.03		
40	80	15-45-3208	A-71395-1080	PK-70873-0304	15-45-3180	A-71395-1180	PK-70873-0304	15-45-3380	A-71395-1280	PK-70873-0304	3.900	99.06	3.999	101.57		

PLATING:

TIN (3.75 MICROMETER)/150 MICROINCH MINIMUM TIN OVER
(1.25 MICROMETER)/50 MICORINCH MINIMUM NICKEL OVERALL.

15 GOLD (0.37 MICROMETER)/15 MICROINCH MINIMUM SELECTIVE GOLD IN THE CONTACT AREA.
(1.88 MICROMETER)/75 MICROINCH MINIMUM TIN IN THE PC TAIL AREA OVER
(1.25 MICROMETER)/50 MICORINCH MINIMUM NICKEL OVERALL.

30 GOLD (0.75 MICROMETER)/30 MICROINCH MINIMUM SELECTIVE GOLD IN THE CONTACT AREA.
(1.88 MICROMETER)/75 MICROINCH MINIMUM TIN IN THE PC TAIL AREA OVER
(1.25 MICROMETER)/50 MICORINCH MINIMUM NICKEL OVERALL.

THIS DRAWING CONTAINS INFORMATION THAT IS PROPRIETARY TO MOLEX ELECTRONIC TECHNOLOGIES, LLC AND SHOULD NOT BE USED WITHOUT WRITTEN PERMISSION											
DIMENSION UNITS		SCALE		CURRENT REV DESC:							
MM/IN		4:1		<p>EC NO: 619055</p> <p>DRWN: NVELUSAMY 2019/02/05</p> <p>CHK'D: NMANE02 2019/07/09</p> <p>APPR: MRAMAKRISHNA 2019/07/09</p> <p>INITIAL REVISION:</p> <p>DRWN:</p> <p>APPR:</p>							
GENERAL TOLERANCES (UNLESS SPECIFIED)											
		MM	INCH								
4 PLACES	±		±								
3 PLACES	±		± 0.01								
2 PLACES	±	0.25	± 0.014								
1 PLACE	±	0.35	±								
0 PLACES	±		±								
ANGULAR TOL		± 0.5 °		<p>THIRD ANGLE PROJECTION</p>  <p>DRAWING</p> <p>SERIES</p> <p>C-SIZE 71395</p>							
DRAFT WHERE APPLICABLE MUST REMAIN WITHIN DIMENSIONS											
DOCUMENT STATUS		P1	RELEASE DATE	2019/07/09	06:48:12	MATERIAL NUMBER		CUSTOMER		SHEET NUMBER	
						SEE CHART		GENERAL MARKET		2 OF 4	



CONNECTOR DUAL ROW
VERTICAL SURFACE MOUNT TOP ENTRY ON .100
GRID

PRODUCT CUSTOMER DRAWING

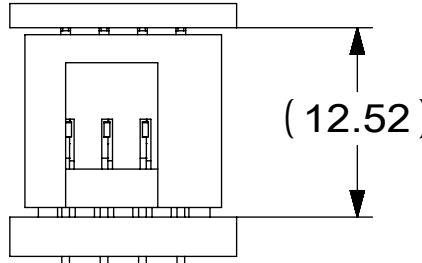
DOCUMENT NUMBER	DOC TYPE	DOC PART	REVISION
SDA-71395-1XXX	PSD	001	N2


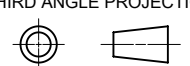
NO. OF CKTS.		TIN PLATING			15 GOLD PLATING			30 GOLD PLATING								
PER ROW	TOTAL	E.D.P. NO.	ENG. NO.	TAPE AND REEL PACKAGING	E.D.P. NO.	ENG. NO.	TAPE AND REEL PACKAGING	E.D.P. NO.	ENG. NO.	TRAY PACKAGING	DIM. "A"		DIM. "B"		INCH	MM
											INCH	MM	INCH	MM		
7	4	NA	NA	NA	NA	NA	NA	71395-5114	A-71395-5114	PK-71395-001	.600	15.24	.699	17.75		
8	6	NA	NA	NA	71395-5016	A-71395-5016	PK-71395-001	NA	NA	NA	.700	17.78	.799	20.29		
		NA	NA	NA	NA	NA	NA	NA	NA	NA						
10	20	NA	NA	NA	71395-5020	A-71395-5020	PK-71395-001	71395-5120	A-71395-5120	PK-71395-001	.900	22.86	.999	25.37		
20	40	NA	NA	NA	71395-5040	A-71395-5040	PK-71395-001	NA	NA	NA	1.900	48.26	1.999	50.77		
		NA	NA	NA	NA	NA	NA	NA	NA	NA						

THIS DRAWING CONTAINS INFORMATION THAT IS PROPRIETARY TO MOLEX ELECTRONIC TECHNOLOGIES, LLC AND SHOULD NOT BE USED WITHOUT WRITTEN PERMISSION											
DIMENSION UNITS		SCALE		CURRENT REV DESC:						molex	
MM/IN		1:1									
GENERAL TOLERANCES (UNLESS SPECIFIED)				EC NO: 619055		DRWN: NVELUSAMY		2019/02/05		CONNECTOR DUAL ROW VERTICAL SURFACE MOUNT TOP ENTRY ON .100 GRID	
4 PLACES		±		CHK'D: NMANE02		2019/07/09					
3 PLACES		± 0.01		APPR: MRAMAKRISHNA		2019/07/09		PRODUCT CUSTOMER DRAWING			
2 PLACES		± 0.25 ± 0.014		INITIAL REVISION:				DOCUMENT NUMBER		DOC TYPE DOC PART REVISION	
1 PLACE		± 0.35 ±		DRWN:				SDA-71395-1XXX		PSD 001 N2	
0 PLACES		±		APPR:				MATERIAL NUMBER		CUSTOMER	
ANGULAR TOL		± 0.5 °		THIRD ANGLE PROJECTION		DRAWING		SERIES		SHEET NUMBER	
DRAFT WHERE APPLICABLE MUST REMAIN WITHIN DIMENSIONS						C-SIZE		71395		SEE CHART GENERAL MARKET 3 OF 4	

DOCUMENT STATUS	P1	RELEASE DATE	2019/07/09	06:48:12
-----------------	----	--------------	------------	----------

BOARD TO BOARD (BTB) DISTANCE

RECEPTACLE	MATES WITH (HEADER)	BTB DIST.	PICTORIAL VIEW
71395	70567	12.52	

THIS DRAWING CONTAINS INFORMATION THAT IS PROPRIETARY TO MOLEX ELECTRONIC TECHNOLOGIES, LLC AND SHOULD NOT BE USED WITHOUT WRITTEN PERMISSION									
DIMENSION UNITS		SCALE		CURRENT REV DESC:					
INCH		1:1							
GENERAL TOLERANCES (UNLESS SPECIFIED)				EC NO: 619055		2019/02/05		CONNECTOR DUAL ROW VERTICAL SURFACE MOUNT TOP ENTRY ON .100 GRID	
		MM	INCH	DRWN: NVELUSAMY		2019/07/09			
4 PLACES		±	±	CHK'D: NMANE02		2019/07/09			
3 PLACES		±	± 0.01	APPR: MRAMAKRISHNA		2019/07/09		PRODUCT CUSTOMER DRAWING	
2 PLACES		± 0.25	± 0.014	INITIAL REVISION:				DOCUMENT NUMBER	
1 PLACE		± 0.35	±	DRWN: DRWN BY		XXXX/XX/XX		SDA-71395-1XXX	
0 PLACES		±	±	APPR: APPR BY		XXXX/XX/XX		PSD 001 N2	
ANGULAR TOL		± 0.5 °		THIRD ANGLE PROJECTION		DRAWING		MATERIAL NUMBER	
DRAFT WHERE APPLICABLE MUST REMAIN WITHIN DIMENSIONS						C-SIZE		SERIES	
						71395		CUSTOMER	
								GENERAL MARKET	
								SHEET NUMBER	
								4 OF 4	