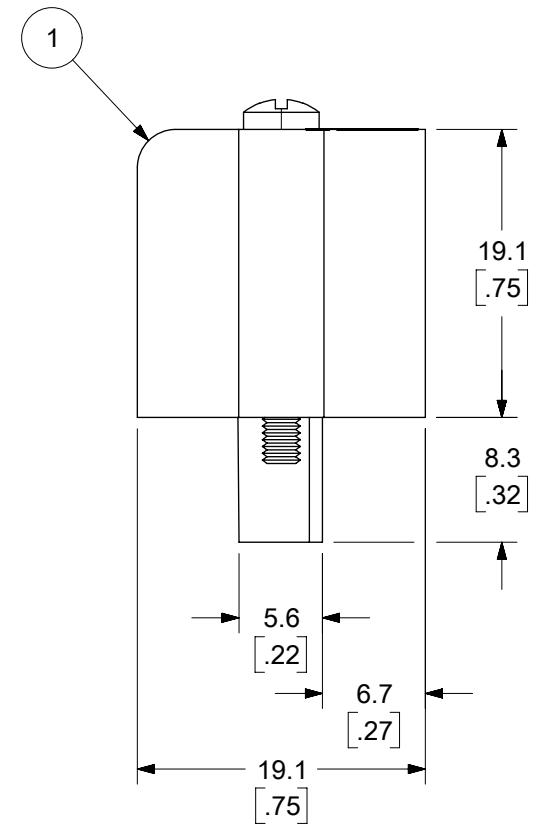


EVEN CIRCUIT, FWE ODD CIRCUIT, FWE

AUXILIARY VIEWS
SCALE 1:1



- NOTES:
1. MATERIAL: SEE TABLE
 2. FINISHES: SEE TABLE
 3. PRODUCT SPECIFICATION: NOT REQUIRED
 4. PACKAGING: NOT REQUIRED
 5. MATES WITH: MOST 5.08 (.200) PIN HEADERS
 6. "XX" REFERS TO THE QUANTITY OF CIRCUITS
 7. ROHS COMPLIANT

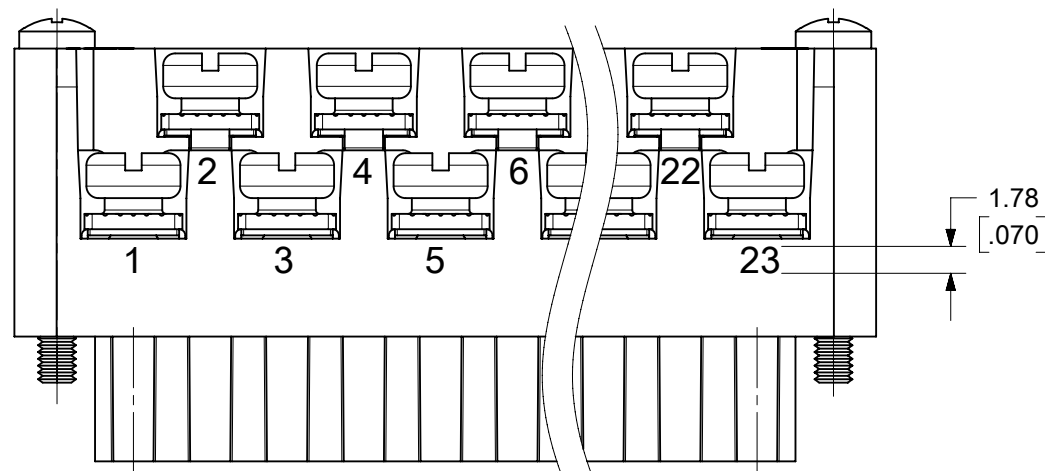
ODD CIRCUIT CONFIGURATION SHOWN

| 8 | 2 | 2 | SCREW, MOUNTING, M2.5 X .450 | STEEL | ZINC CHROMATE |
|------|-----------------------------------|----------------------------------|--------------------------------|---------------|----------------|
| 7 | XX | XX | SCREW, M3.5 X .280 | STEEL | ZINC CHROMATE |
| 6 | XX | XX | NUT, M3.5, HEX | STEEL | ZINC CHROMATE |
| 5 | XX/2 | (XX-1)/2 | REAR ROW TERMINAL (-G30 OPT.) | PHOS. BRONZE | SELECTIVE GOLD |
| 4 | XX/2 | (XX+1)/2 | FRONT ROW TERMINAL (-G30 OPT.) | PHOS. BRONZE | SELECTIVE GOLD |
| 3 | XX/2 | (XX-1)/2 | REAR ROW TERMINAL | PHOS. BRONZE | HOT TIN DIP |
| 2 | XX/2 | (XX+1)/2 | FRONT ROW TERMINAL | PHOS. BRONZE | HOT TIN DIP |
| 1 | 1 | 1 | BARRIER | THERMOPLASTIC | BLACK |
| ITEM | QTY. (EVEN NO. OF CIRCUITS) | QTY. (ODD NO. OF CIRCUITS) | DESCRIPTION | MATERIAL | FINISH |

THIS DRAWING CONTAINS INFORMATION THAT IS PROPRIETARY TO MOLEX ELECTRONIC TECHNOLOGIES, LLC AND SHOULD NOT BE USED WITHOUT WRITTEN PERMISSION

| | | | | | |
|--|------------------------|----------------|---|------------|--------------|
| FUNCTIONAL SYMBOLS | DIMENSION UNITS | SCALE | CURRENT REV DESC: MIGRATED TO ECTR/NX. REMOVED "US PATENT" TEXT FROM MODEL | | |
| $\frac{F}{A} = 0$ | MM/INCH | 2:1 | <p>molex</p> <p>5.08/.200 PLUG ASSY, FWE WITH STD. MOUNTING ENDS</p> <p>PRODUCT CUSTOMER DRAWING</p> <p>DOCUMENT NUMBER: SD-39940-003 DOC TYPE: PSD DOC PART: 001 REVISION: G</p> | | |
| GENERAL TOLERANCES (UNLESS SPECIFIED) | MM | INCH | | | |
| 4 PLACES ± .005 | ± .005 | ± .005 | | | |
| 3 PLACES ± .010 | ± .010 | ± .010 | | | |
| DIVISIONAL SYMBOLS | 2 PLACES ± 0.13 | ± .01 | EC NO: 677615 | 2021/08/18 | |
| 1 PLACE ± 0.3 | ± .01 | ± .01 | DRWN: ABENJAMINLW | 2021/09/09 | |
| 0 PLACES ± .005 | ± .01 | ± .01 | CHK'D: DACHAMMER | 2022/01/04 | |
| ANGULAR TOL ± 2° | ± 2° | ± 2° | APPR: JFMURPHY | | |
| DRAFT WHERE APPLICABLE MUST REMAIN WITHIN DIMENSIONS | THIRD ANGLE PROJECTION | DRAWING | INITIAL REVISION: | 2004/03/18 | |
| | | B-SIZE | DRWN: CYORK | 2004/03/19 | |
| | | 39940 | APPR: grobertson | | |
| | | SEE SHEET-2 | MATERIAL NUMBER | CUSTOMER | SHEET NUMBER |
| | | GENERAL MARKET | | | 1 OF 2 |

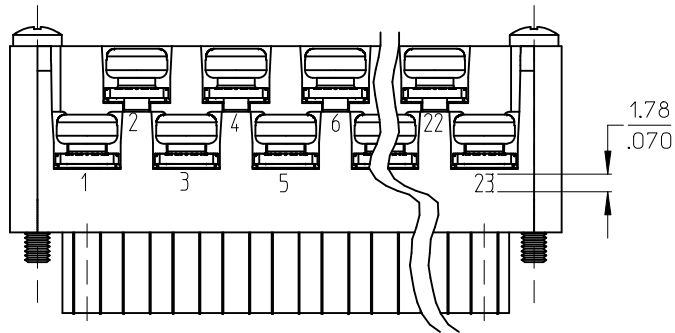
| NO. OF CIRC. "XX" | DIM. "A" | | DIM. "B" | | DIM. "C" | | DIM. "D" ^{+0.00} _{-.25} [^{+0.00} _{-.010}] | | MATERIAL NO. (STANDARD) | MATERIAL NO. (-G30 OPT.) | MATERIAL NO. (-10A OPT.) |
|-------------------|----------|--------|----------|---------|----------|---------|---|--------|-------------------------|--------------------------|--------------------------|
| | mm | IN | mm | IN | mm | IN | mm | IN | | | |
| 03 | 25.9 | [1.02] | 10.16 | [.400] | 20.32 | [.800] | 15.2 | [.60] | 399400503 | 399410503 | 399490026 |
| 04 | 31.0 | [1.22] | 15.24 | [.600] | 25.40 | [1.000] | 20.3 | [.80] | 399400504 | 399410504 | |
| 05 | 36.1 | [1.42] | 20.32 | [.800] | 30.48 | [1.200] | 25.4 | [1.00] | 399400505 | 399410505 | |
| 06 | 41.1 | [1.62] | 25.40 | [1.000] | 35.56 | [1.400] | 30.5 | [1.20] | 399400506 | 399410506 | |
| 07 | 46.2 | [1.82] | 30.48 | [1.200] | 40.64 | [1.600] | 35.6 | [1.40] | 399400507 | 399410507 | |
| 08 | 51.3 | [2.02] | 35.56 | [1.400] | 45.72 | [1.800] | 40.6 | [1.60] | 399400508 | 399410508 | |
| 09 | 56.4 | [2.22] | 40.64 | [1.600] | 50.80 | [2.000] | 45.7 | [1.80] | 399400509 | 399410509 | |
| 10 | 61.5 | [2.42] | 45.72 | [1.800] | 55.88 | [2.200] | 50.8 | [2.00] | 399400510 | 399410510 | |
| 11 | 66.5 | [2.62] | 50.80 | [2.000] | 60.96 | [2.400] | 55.9 | [2.20] | 399400511 | 399410511 | |
| 12 | 71.6 | [2.82] | 55.88 | [2.200] | 66.04 | [2.600] | 61.0 | [2.40] | 399400512 | 399410512 | |
| 13 | 76.7 | [3.02] | 60.96 | [2.400] | 71.12 | [2.800] | 66.0 | [2.60] | 399400513 | 399410513 | |
| 14 | 81.8 | [3.22] | 66.04 | [2.600] | 76.20 | [3.000] | 71.1 | [2.80] | 399400514 | 399410514 | 399490015 |
| 15 | 86.9 | [3.42] | 71.12 | [2.800] | 81.28 | [3.200] | 76.2 | [3.00] | 399400515 | 399410515 | |
| 16 | 91.9 | [3.62] | 76.20 | [3.000] | 86.36 | [3.400] | 81.3 | [3.20] | 399400516 | 399410516 | 399490027 |
| 17 | 97.0 | [3.82] | 81.28 | [3.200] | 91.44 | [3.600] | 86.4 | [3.40] | 399400517 | 399410517 | |
| 18 | 102.1 | [4.02] | 86.36 | [3.400] | 96.52 | [3.800] | 91.4 | [3.60] | 399400518 | 399410518 | 399490028 |
| 19 | 107.2 | [4.22] | 91.44 | [3.600] | 101.60 | [4.000] | 96.5 | [3.80] | 399400519 | 399410519 | |
| 20 | 112.3 | [4.42] | 96.52 | [3.800] | 106.68 | [4.200] | 101.6 | [4.00] | 399400520 | 399410520 | |
| 21 | 117.3 | [4.62] | 101.60 | [4.000] | 111.76 | [4.400] | 106.7 | [4.20] | 399400521 | 399410521 | |
| 22 | 122.4 | [4.82] | 106.68 | [4.200] | 116.84 | [4.600] | 111.8 | [4.40] | 399400522 | 399410522 | |
| 23 | 127.5 | [5.02] | 111.76 | [4.400] | 121.92 | [4.800] | 116.8 | [4.60] | 399400523 | 399410523 | |
| 24 | 132.6 | [5.22] | 116.84 | [4.600] | 127.00 | [5.000] | 121.9 | [4.80] | 399400524 | 399410524 | |



OPTIONAL
10A IMPRINTING
(ODD CIRCUIT CONFIGURATION SHOWN)

| | | | | | | | | | | | | |
|---|---------------------------------------|---|-------|---|---|---------|--------|-----------------|----------------|----------|----------|--------------|
| THIS DRAWING CONTAINS INFORMATION THAT IS PROPRIETARY TO MOLEX ELECTRONIC TECHNOLOGIES, LLC AND SHOULD NOT BE USED WITHOUT WRITTEN PERMISSION | | | | | | | | | | | | |
| FUNCTIONAL SYMBOLS | DIMENSION UNITS | | SCALE | | CURRENT REV DESC: MIGRATED TO ECTR/NX. REMOVED "US PATENT" TEXT FROM MODEL | | | | | | | |
| $\nabla_A = 0$ | MM/INCH | | 2:1 | | molex 5.08/.200 PLUG ASSY, FWE WITH STD. MOUNTING ENDS PRODUCT CUSTOMER DRAWING EC NO: 677615 DRWN: ABENJAMINLW 2021/08/18 CHK'D: DACHAMMER 2021/09/09 APPR: JFMURPHY 2022/01/04 INITIAL REVISION: DRWN: CYORK 2004/03/18 APPR: grobertson 2004/03/19 | | | | | | | |
| $\nabla_E = 0$ | GENERAL TOLERANCES (UNLESS SPECIFIED) | | | | | | | | | | | |
| $\nabla_F = 0$ | MM | | INCH | | | | | | | | | |
| DIVISIONAL SYMBOLS | 4 PLACES | ± | --- | ± | | | | | | | | --- |
| | 3 PLACES | ± | --- | ± | .005 | | | | | | | |
| | 2 PLACES | ± | 0.13 | ± | .01 | | | | | | | |
| | 1 PLACE | ± | 0.3 | ± | --- | | | | | | | |
| | 0 PLACES | ± | --- | ± | --- | | | | | | | |
| | ANGULAR TOL | | ± 2° | | | | | | | | | |
| DRAFT WHERE APPLICABLE MUST REMAIN WITHIN DIMENSIONS | | | | | THIRD ANGLE PROJECTION | DRAWING | SERIES | MATERIAL NUMBER | CUSTOMER | DOC TYPE | DOC PART | REVISION |
| | | | | | | B-SIZE | 39940 | SEE CHART | GENERAL MARKET | PSD | 001 | G |
| | | | | | | | | | | | | SHEET NUMBER |
| | | | | | | | | | | | | 2 OF 2 |

| NO. OF CIRC. "XX" | "A" | "B" | "C" | "D" ⁺⁰⁰ ₋₂₅ [⁺⁰⁰⁰ _{-.010}] | MATERIAL NO. (STANDARD) | MATERIAL NO. (-G30 OPT.) | MATERIAL NO. (-10A OPT.) |
|-------------------|--------------|----------------|----------------|--|-------------------------|--------------------------|--------------------------|
| 03 | 25.9 [1.02] | 10.16 [.400] | 20.32 [.800] | 15.2 [.60] | 399400503 | 399410503 | 399490026 (F) |
| 04 | 31.0 [1.22] | 15.24 [.600] | 25.40 [1.000] | 20.3 [.80] | 399400504 | 399410504 | |
| 05 | 36.1 [1.42] | 20.32 [.800] | 30.48 [1.200] | 25.4 [1.00] | 399400505 | 399410505 | |
| 06 | 41.1 [1.62] | 25.40 [1.000] | 35.56 [1.400] | 30.5 [1.20] | 399400506 | 399410506 | |
| 07 | 46.2 [1.82] | 30.48 [1.200] | 40.64 [1.600] | 35.6 [1.40] | 399400507 | 399410507 | |
| 08 | 51.3 [2.02] | 35.56 [1.400] | 45.72 [1.800] | 40.6 [1.60] | 399400508 | 399410508 | |
| 09 | 56.4 [2.22] | 40.64 [1.600] | 50.80 [2.000] | 45.7 [1.80] | 399400509 | 399410509 | |
| 10 | 61.5 [2.42] | 45.72 [1.800] | 55.88 [2.200] | 50.8 [2.00] | 399400510 | 399410510 | |
| 11 | 66.5 [2.62] | 50.80 [2.000] | 60.96 [2.400] | 55.9 [2.20] | 399400511 | 399410511 | |
| 12 | 71.6 [2.82] | 55.88 [2.200] | 66.04 [2.600] | 61.0 [2.40] | 399400512 | 399410512 | |
| 13 | 76.7 [3.02] | 60.96 [2.400] | 71.12 [2.800] | 66.0 [2.60] | 399400513 | 399410513 | |
| 14 | 81.8 [3.22] | 66.04 [2.600] | 76.20 [3.000] | 71.1 [2.80] | 399400514 | 399410514 | 399490015 |
| 15 | 86.9 [3.42] | 71.12 [2.800] | 81.28 [3.200] | 76.2 [3.00] | 399400515 | 399410515 | |
| 16 | 91.9 [3.62] | 76.20 [3.000] | 86.36 [3.400] | 81.3 [3.20] | 399400516 | 399410516 | 399490027 (F) |
| 17 | 97.0 [3.82] | 81.28 [3.200] | 91.44 [3.600] | 86.4 [3.40] | 399400517 | 399410517 | |
| 18 | 102.1 [4.02] | 86.36 [3.400] | 96.52 [3.800] | 91.4 [3.60] | 399400518 | 399410518 | 399490028 (F) |
| 19 | 107.2 [4.22] | 91.44 [3.600] | 101.60 [4.000] | 96.5 [3.80] | 399400519 | 399410519 | |
| 20 | 112.3 [4.42] | 96.52 [3.800] | 106.68 [4.200] | 101.6 [4.00] | 399400520 | 399410520 | |
| 21 | 117.3 [4.62] | 101.60 [4.000] | 111.76 [4.400] | 106.7 [4.20] | 399400521 | 399410521 | |
| 22 | 122.4 [4.82] | 106.68 [4.200] | 116.84 [4.600] | 111.8 [4.40] | 399400522 | 399410522 | |
| 23 | 127.5 [5.02] | 111.76 [4.400] | 121.92 [4.800] | 116.8 [4.60] | 399400523 | 399410523 | |
| 24 | 132.6 [5.22] | 116.84 [4.600] | 127.00 [5.000] | 121.9 [4.80] | 399400524 | 399410524 | |



OPTIONAL
10A IMPRINTING
(ODD CIRCUIT CONFIGURATION SHOWN)

| | | | | | |
|--|---|--|--|--|---|
| SEE SHEET 1 EC NO: PG2014-1260 TDRWN: JENC INAS 2013/08/16 CHKD: JMAGNEIL 2014/02/07 APPR: JMAGNEIL 2014/03/10 | QUALITY SYMBOLS ▽=0 ▽=0 | GENERAL TOLERANCES (UNLESS SPECIFIED) mm INCH 4 PLACES ± --- ± --- 3 PLACES ± --- ± .005 2 PLACES ± 0.13 ± .01 1 PLACE ± 0.3 ± --- ANGULAR ± 2 ° | DIMENSION STYLE MM/IN DRAWN BY DATE C. YORK 2004/03/18 CHECKED BY DATE R. STONE 2004/03/18 APPROVED BY DATE G. ROBERTSON 2004/03/18 | SCALE 2:1 DESIGN UNITS INCH THIRD ANGLE PROJECTION | TITLE 5.08/.200 PLUG ASSY, FWE WITH STD. MOUNTING ENDS |
| | MATERIAL NO. SEE CHART | DOCUMENT NO. SD-39940-003 | SHEET NO. 2 OF 2 | | |
| | DRAFT WHERE APPLICABLE MUST REMAIN WITHIN DIMENSIONS | | | | |
| | THIS DRAWING CONTAINS INFORMATION THAT IS PROPRIETARY TO MOLEX INCORPORATED AND SHOULD NOT BE USED WITHOUT WRITTEN PERMISSION | | | | |