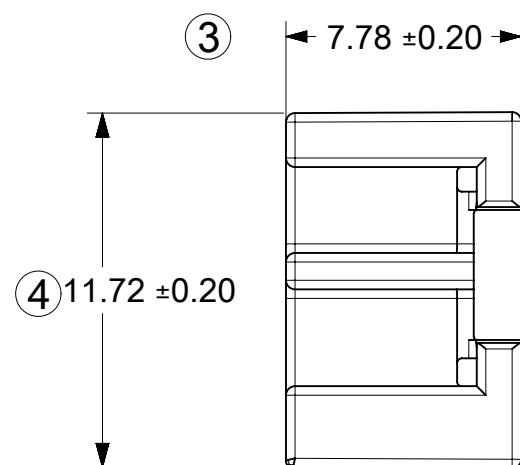
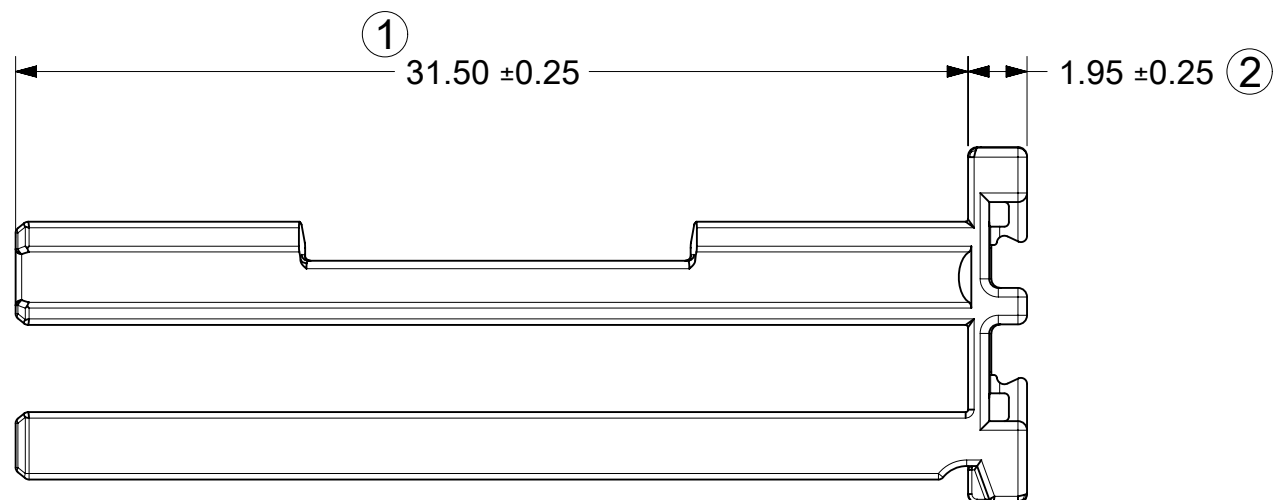


ISL  
ISOMETRIC VIEWS  
SCALE 4:1



NOTES: VALID UNLESS OTHERWISE SPECIFIED

1. GENERAL:

- a. APPLICATION SPECIFICATION SEE: 349590002-RAS
- b. PRODUCT SPECIFICATION SEE: PS-34959-001
- c. DESIGN TO WORK WITH RECEPTACLE CONNECTOR PART NUMBER LIST IN DRAWING: 349590001

2. DESIGN - MATERIALS: SEE BOM TABLE

3. DESIGN - GEOMETRY:

- a. ALL GRAPHIC DATA IS BASIC (NO TOLERANCE) AND MUST BE TAKEN FROM THE DATA FILE AT ITS LATEST REVISION.
- b. GEOMETRIC DIMENSIONS AND TOLERANCES PER ASME Y14.5X-2009
- c. EDGES AND UNDIMENSIONED DETAILS PER ISO13715
- d. CORNERS SHOWN AS SHARP TO BE R 0.2 MAX.
- e. LETTERING SHALL BE 0.15 MAX RAISED IN 0.25 MAX RECESS PAD. THIS INCLUDES RECYCLING CODE, CAVITY ID, VENDOR IDENTIFICATION, AND CUSTOMER MATERIAL NUMBER.

4. DESIGN - MANUFACTURING:

- a. VISUAL DEFECTS SHALL MEET COSMETIC STANDARD PS-45499-002 (Class B)

BOM TABLE

PART NUMBER	DESCRIPTION	COLOR	UL94 TYPE	MATERIAL	PACKAGING DRAWING
34959-6301	MINI50 34&38CKT ISL(FINISHED GOODS)	NATURE-WHITE	HB	PA66	348945000

REV	REV DESCRIPTION	ECN SAP NO.
A2	UPDATED ISL VIEWS	659058
A1	ADDED A BOM LIST TO SHOW ISL INFORMATION	647205
A	INITIAL RELEASE	639273

INSPECTION BALLOON NUMBER LOG	
PER DRAWING REVISION:	A2
LAST BALLOON NUMBER USED:	4
ADDED BALLOON NUMBERS:	
REMOVED BALLOON NUMBERS:	

FUNCTIONAL SYMBOLS FA = 0 FE = 0 FP = 0	THIS DRAWING CONTAINS INFORMATION THAT IS PROPRIETARY TO MOLEX ELECTRONIC TECHNOLOGIES, LLC AND SHOULD NOT BE USED WITHOUT WRITTEN PERMISSION		CURRENT REV DESC:						
	DIMENSION UNITS	SCALE	EC NO: 659058						
	mm	4:1	DRWN: SWU31	2021/03/24					
	GENERAL TOLERANCES (UNLESS SPECIFIED)		CHK'D: CDZHANG	2021/04/12					
DIVISIONAL SYMBOLS	ANGULAR TOL ± °		APPR: CDZHANG	2021/04/12	<b>RESTRICTED PRODUCT CUSTOMER DRAWING</b>				
	4 PLACES ±	INITIAL REVISION:							
	3 PLACES ±	DRWN: SWU31	2020/06/10						
	2 PLACES ±	APPR: CDZHANG	2020/06/19						
1 PLACE ±	DRAFT WHERE APPLICABLE MUST REMAIN WITHIN DIMENSIONS		THIRD ANGLE PROJECTION	DRAWING	SERIES	DOCUMENT NUMBER	DOC TYPE	DOC PART	REVISION
0 PLACES ±	C-SIZE		34959	349590002	PSD	000	A2	SHEET NUMBER 1 OF 1	