

CGA4J1X8L1E475K125AC

TDK Item Description : CGA4J1X8L1E475KT****



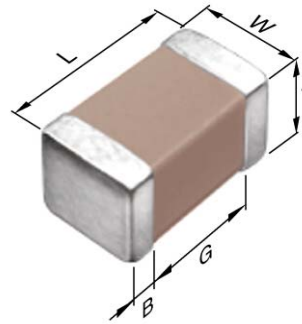
Equivalent C2012X8L1E475K for Automotive

Application & Main Feature

Automotive Grade (High Temperature Application)

Series

CGA4(C2012) [EIA 0805]



Dimensions

L	2.00mm +0.25,-0.15mm
W	1.25mm +0.25,-0.15mm
T	1.25mm +0.25,-0.15mm
B	0.20mm Min.
G	0.50mm Min.

Temperature Characteristic

X8L (-55 to 150 degC +15,-40%)

Rated Voltage

1E (25Vdc)

Capacitance

4.7uF

Capacitance Tolerance

K (+/-10%)

Dissipation Factor

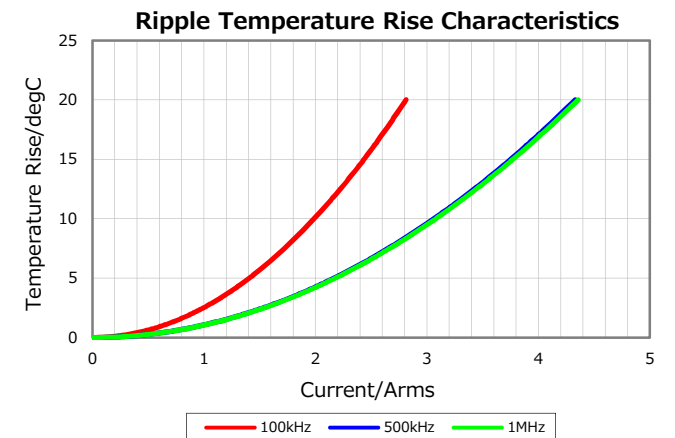
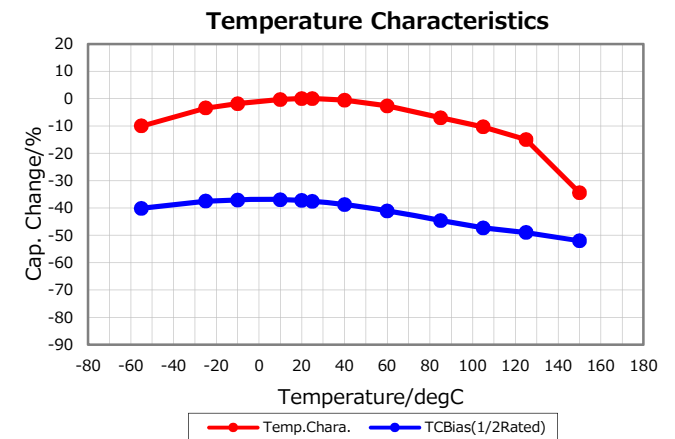
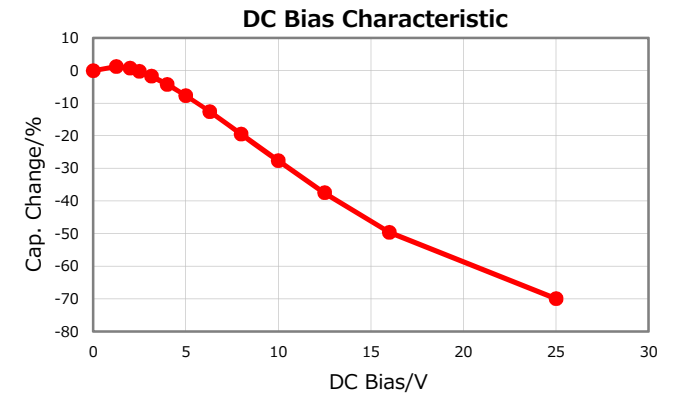
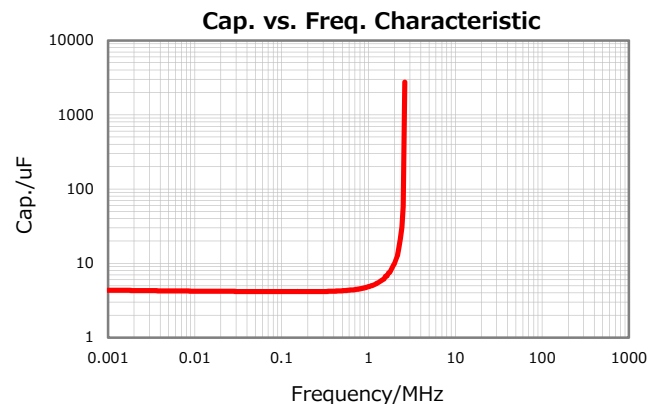
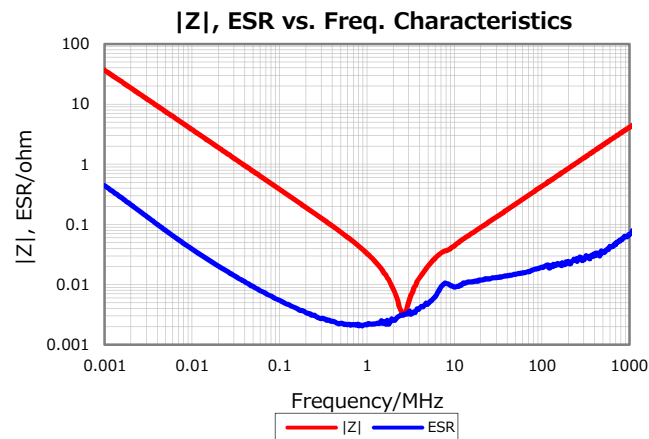
5% Max.

Insulation Resistance

106Mohm Min.

AEC-Q200

Yes



Characterization Sheet (Multilayer Ceramic Chip Capacitors)



All specifications are subject to change without notice.

June 11, 2018