

D

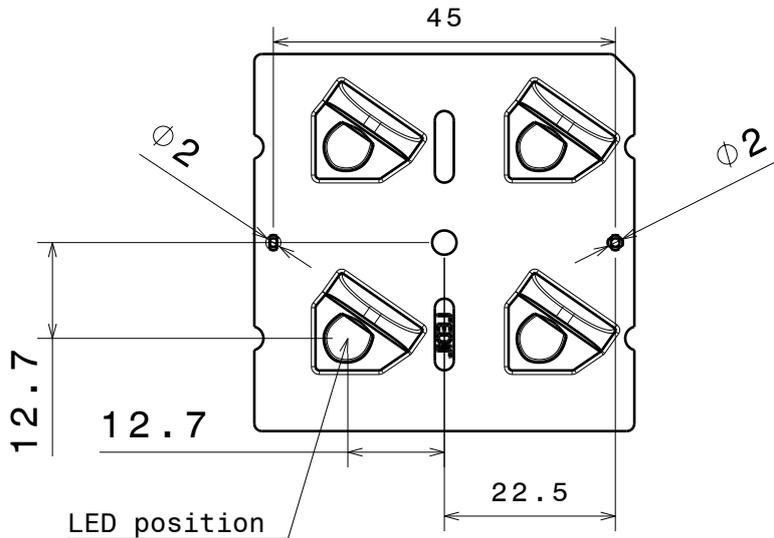
C

B

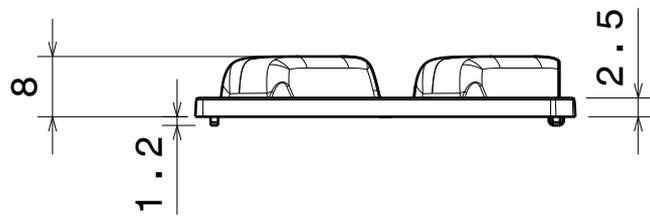
A

Cent. to cent.

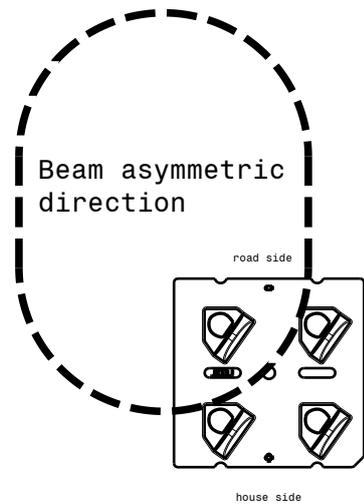
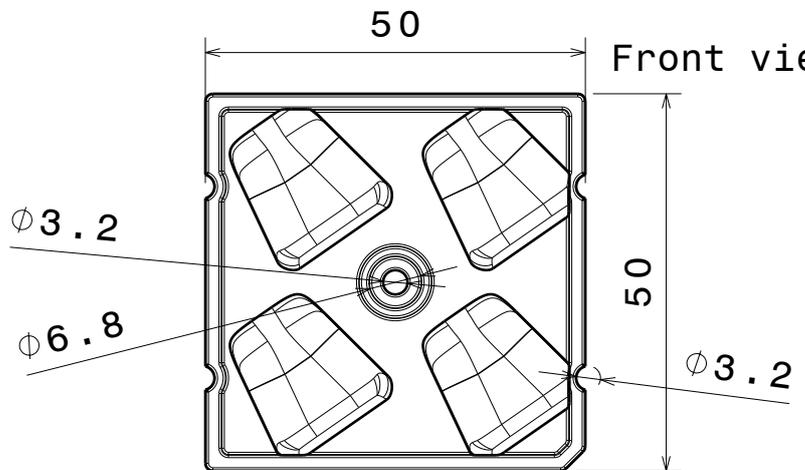
Rear view



Bottom view



Front view



INDEX	PART NO	DESCRIPTION	MATERIAL	COLOUR
1	C14896	STRADA-2X2-PXL	PMMA	clear

Plastic moulding general tolerances according to DIN 16901-130 and applies if not otherwise shown in the drawing.
 Silicone moulding general tolerances according to ISO 3302-1 Class M3 and applies if not otherwise shown in the drawing.



Ledil Oy
 Salorankatu 10
 FIN 24240 SALO
 Finland

THIRD ANGLE PROJECTION:



DRAWING TITLE

C14896_STRADA-2X2-PXL

This drawing is the property of LEDiL Oy. It may not be reproduced, copied or communicated without a written agreement with LEDiL Oy.

SIZE PART NUMBER

A4

C14896

SCALE 1:1 WEIGHT

SHEET 1/1

D

A