

6

5

4

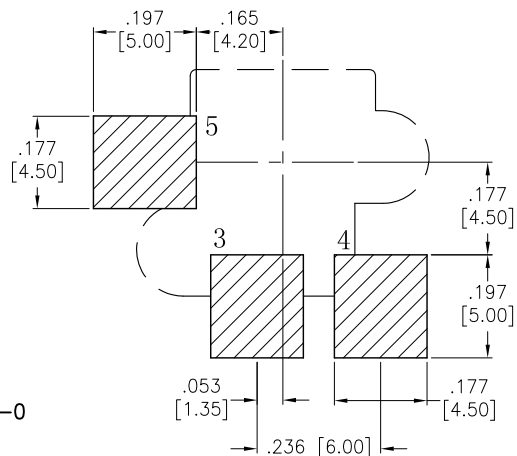
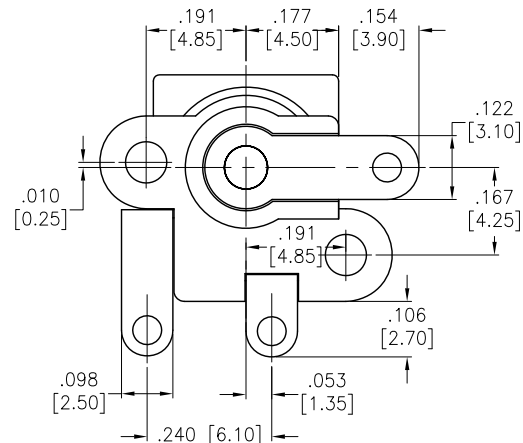
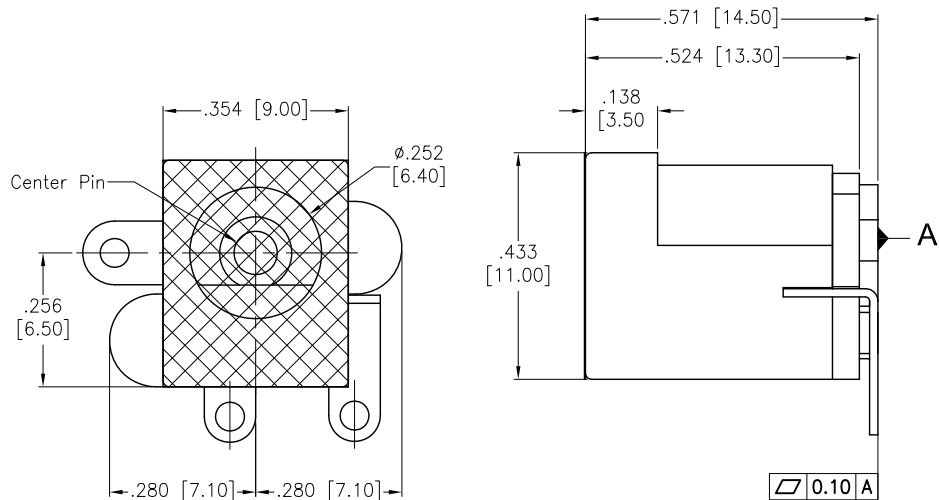
3

2

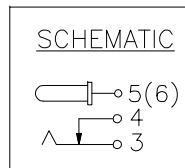
1

APPROVED: _____
 DATE: _____ TITLE: _____

Rev	AWO #	Description	Date	Appr
-		RELEASED	4/30/15	
A		UPDATED DRAWING	9/19/18	HR/SL



RECOMMENDED PCB LAYOUT



SPECIFICATIONS:

Material:
 Insulator: Hi-temp thermoplastic, rated UL 94V-0
 Insulator color: Black
 Contacts: Copper Alloy
 Center Pin: Brass, Nickel plated
 Plating:
 Gold flash over Nickel underplate overall
 Electrical:
 Operating voltage: 30 V
 Current rating: 1.0 A
 Contact resistance: 0.03 Ω max.
 Insulation resistance: 100 MΩ min @ 250 VDC
 Dielectric withstanding voltage: 500 VAC
 Environmental:
 Lead free, RoHS compliant.



ADAM P/N	CENTER PIN
ADC-070A-1-G-SMT-PPT-T/R	ø.079 [2.00]
ADC-070A-2-G-SMT-PPT-T/R	ø.098 [2.50]

PACKAGED ON TAPE & REEL

UNLESS OTHERWISE SPECIFIED ALL DIMENSIONS ARE INCHES [MM] TOLERANCES: EXCEPT AS NOTED		909 Rahway Avenue, Union, NJ 07083 Phone: 908-687-5000 Fax: 908-687-5710	
INCHES HOLES .X ± .10 Ø.X ± .10 .XX ± .020 Ø.XX ± .015 .XXX ± .015 Ø.XXX ± .010			
APPROVALS		TITLE	
DRAWN	HR	DC POWER JACK, VERTICAL, SMT, PICK AND PLACE TAPE	
CHECKED	AC	DATE	4/30/15
APPROVED		SIZE	X
		PART NO.	ADC-070A-X-G-SMT-PPT-T/R
		REV.	A
		REF:	S00102C
		SCALE:	NTS
		SHEET	1 OF 1

6

5

4

3

2

1