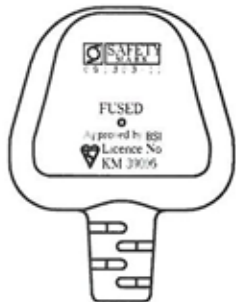


*PLUG : EL-210A CERTIFICATE :

SS145/A	BS-1363/A	MS 589/A
---------	-----------	----------

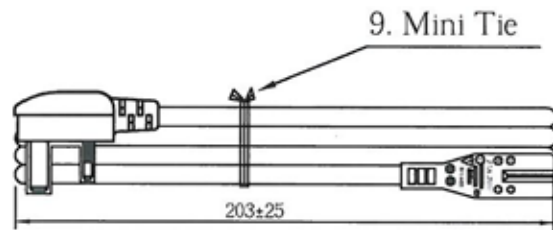
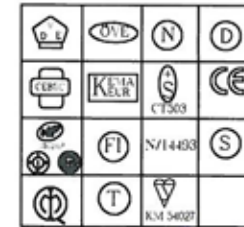
* BACK SIDE



* NOTES :

- 1). PLUG : EL-210A 5A 250V COLOR BLACK 1PC.
ATTACHMENT D/N : EL-210A
- 2). CABLE : H03VVH2-F 0.75mm² x 2C COLOR BLACK 1 PC.
MARKING : cc VDE ÖVE KEMA-KEUR +s+s+s
FI DN S IEMMEQU CEBC H03VVH2-F 2x 0.75 mm²
N/14475 CHING CHENG
- 3). CONNECTOR : EL-703 2.5A 250V BLACK 1 PC.
ATTACHMENT : D/N : EL-703

*CONNECTOR : EL-703 CERTIFICATE :



NO	NAME	MATERIAL LIST	QTY	UNIT	REMARK
1	BLADE	HT-0209NI-BK	1	EA.	RoHS COMPLIANCE
	BLADE	HT-0011NI	1	EA.	RoHS COMPLIANCE
2	FUSE	5A 250V	1	EA.	RoHS COMPLIANCE
	COVER FUSE	HT-0226-BK	1	EA.	RoHS COMPLIANCE
3	INSERT COVER	HT-0225-BK	1	EA.	RoHS COMPLIANCE
4	PLUG BODY	PVC COMPOUND : CC-9DP-SOP COLOR : BLACK	44	G.	RoHS COMPLIANCE
5	CABLE	H03V V2-F 0.75mm ² X2C COLOR BLACK	1830	MTR.	RoHS COMPLIANCE
6	CONNECTOR	PVC,CC-9DP-SOP COLOR BLACK	18	G.	RoHS COMPLIANCE
7	HOOD	CONNECTOR EL-703PLASTIC	1	EA.	RoHS COMPLIANCE
8	TERMINAL	CONNECTOR EL-703 COPPER	2	EA.	RoHS COMPLIANCE
9	MINI TIE	COLOR BLACK	1	EA.	RoHS COMPLIANCE

APPROVED BY

CHECKED BY

DRAWING BY

CUSTOMER NUMBER

FACTORY NUMBER

AC15WUK-R

EL-302 +EL701

Customer : PHIHONG

TITLE : AC POWER CORD ASSY

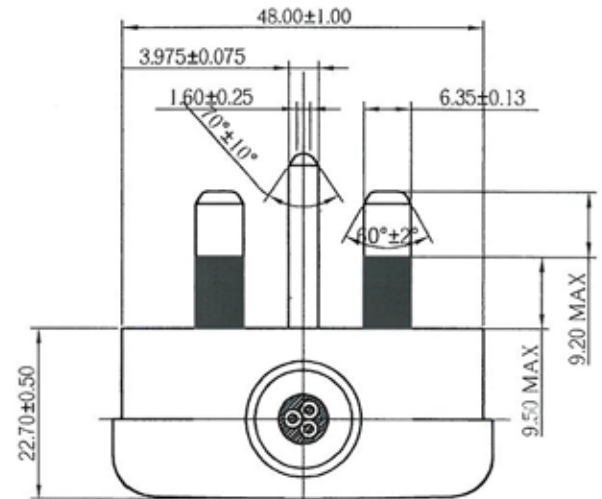
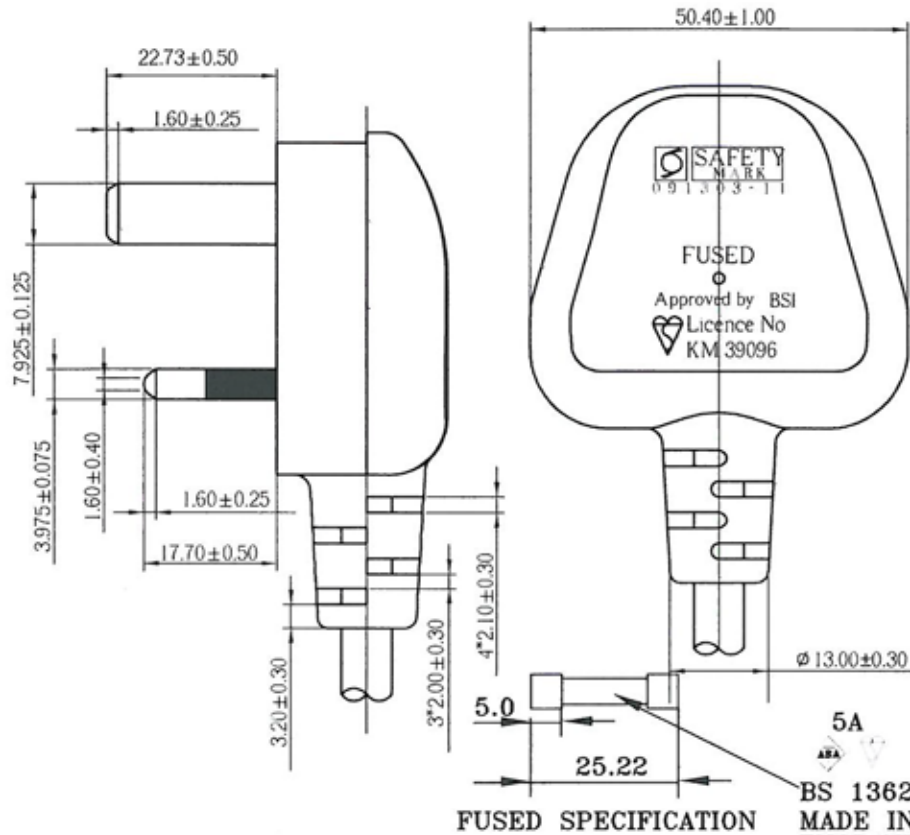
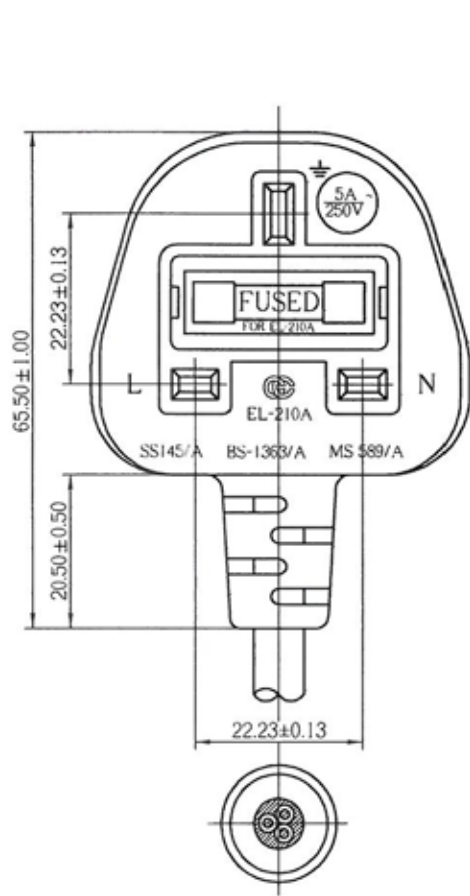
UNIT : mm.

DATE : Oct 06,2018

SCALE :

REV : 00

CHING CHENG WIRE MATERIAL (THAILAND) CO.,LTD.



- *NOTE:
- 1). CERTIFICATION OF PLUG
PART NO : EL-210A
STANDARD : BSI
 - 2). BLADE TERMINAL : HT-0209NI-BK
BRASS/NICKEL
 - 3). PVC COLOR BLACK
NO : CC-9DP-50P.
 - 4). FUSED 5A BY BUSSMAN,
OR ATLAS OR SAFE

SCALE:

BUSSMANN OR ATLAS OR SAFE

UNIT:

mm

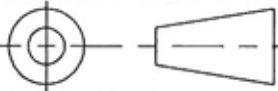
CUSTOMER: PHIHONG

APPROVED BY

DWG. NO. : CC - EL-210A

CHECKED BY

PLUG INJECTION
TOLERANCES:



DESIGNED BY

10.0 BELOW

± 0.2

DWG. NO: EL-210A

DATE Oct 09,2018.

10.1--20.0

± 0.3

TITLE: UK POWER SUPPLY CORDSET

20.1--40.0

± 0.4

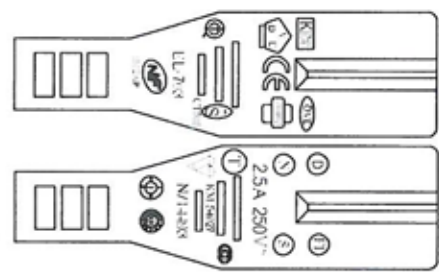
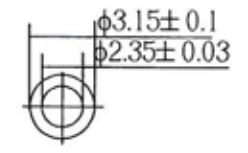
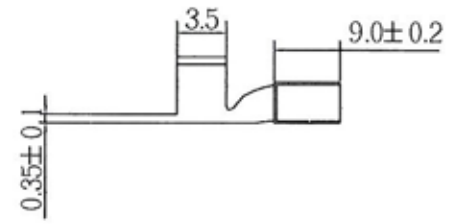
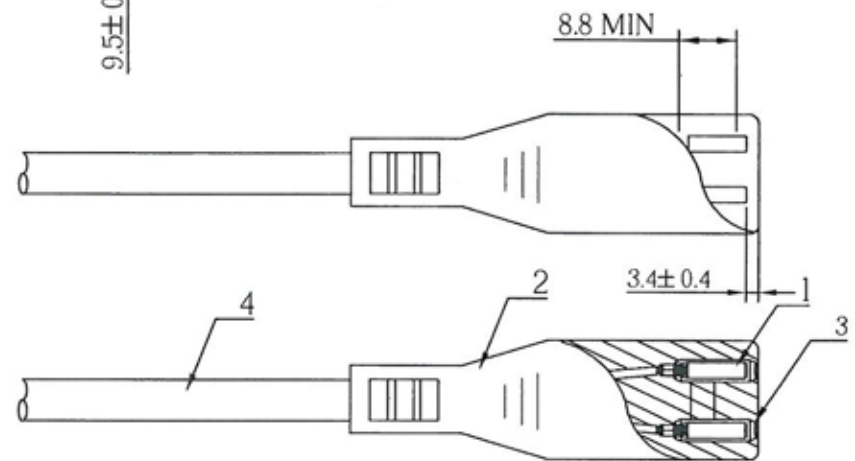
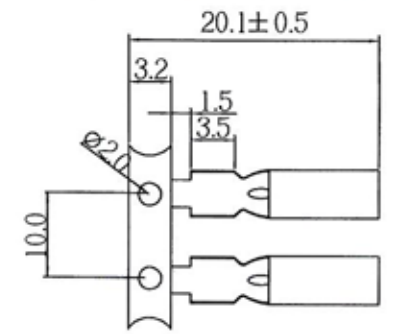
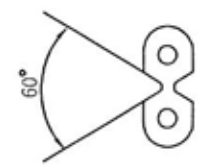
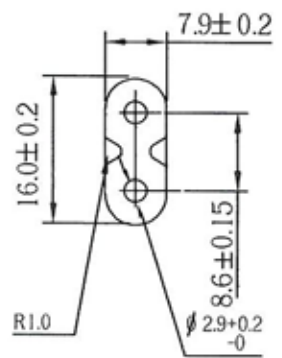
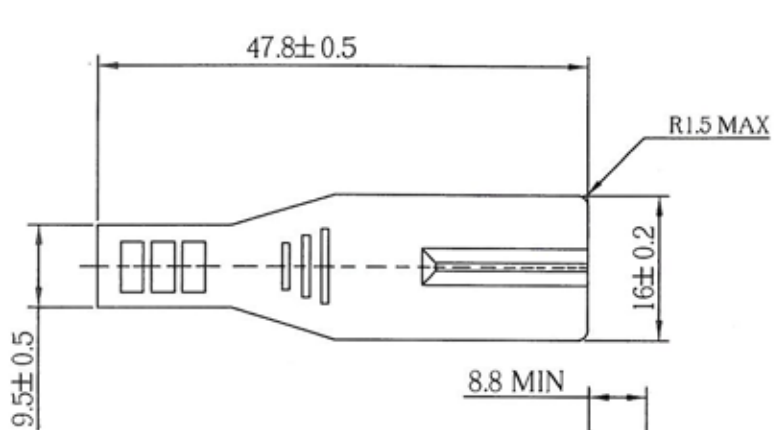
40.1--60.0

± 0.5



CHING CHENG WIRE MATERIAL (THAILAND) CO., LTD.





*NOTE:
 1. CORD CONNECTOR : EL-703
 BODY PVC : CC-9DP-50P COLOR BLACK
 2. TERMINAL : EL-703
 3. PROTECT HOOD

CUSTOMER: PHIHONG	APPROVED BY	<i>J. Chong</i> OCT 2018
DWG. NO. : CC - EL-703	CHECKED BY	<i>Miss Wang</i> 10-Oct-2018
	DESIGNED BY	
	DRAWING BY	<i>Joa</i> Oct-18
SCALE :	DATE :	Oct 09, 2018
UNIT : mm.	TITLE :	CONNECTOR EL-703

Item	NAME	MATERIAL	PLUG INJECTION TOLERANCES :	
			10.0 BELOW	± 0.2
1	BASE	BRASS	10.1 -- 20.0	± 0.3
2	BASE	PVC (Polyvinyl Chloride)	20.1 -- 30.0	± 0.4
3	HOOD	NYLON	30.1 -- 40.0	± 0.5
4	CORD	PVC (Polyvinyl Chloride)		

CHING CHENG WIRE MATERIAL (THAILAND) CO.,LTD.

SPECIFICATION

1).SCOPE :

THIS SPECIFICATION IS APPLIED TO EUROPEAN TYPE POWER SUPPLY CORD
 CONSISTING OF ATTACHMENT PLUG CAP MOULDED ON FLEXIBLE CORD.
 NO : CEE PUBLICATION 7.
 VDE 0625,0281
 IEC 227.

2). CONSTRUCTION AND DIMENSIONS:

IN ACCORDINGWITH THE FOLLOWING TABLES AND ATTACHED DRAWING :

TABLE 1

	CAT NO.	RATING		APPROVED NO.
		A	V	
ATTACHMENT PLUG CAP	EL-210A	5	250	BS-1363/A
CONNEDTOR BODY	EL-703	2.5	250	EUROPEAN APP.
PVC FLEXIBLE CORD	H03VVH2-F 0.75mm2X2C	6	500	EUROPEAN APP.

TABLE

CONDUCTOR		PVC INSULATION			PVC JACKET	
NOMINAL AREA	CONSTRUCTION	MIN.THICK	AVG.THICK	OD	MIN.THICK	OD
	PCS/mm	mm	mm	mm	mm	mm
0.75 mm ²	24/0.2	0.35	0.50	2.1	0.41	3.5 X 5.7 ± 0.1

2-1. CABLE MARKING : H03VVH2-F 0.75mm2X2C

cc ← VDE → ← ÖVE → KEMA-KEUR ∞ ∞ ∞ (F) (D) (N) (S)

IEMMEQU CEBEC H03VVH2-F 2 X 0.75mm² N/14475

CHING CHENG

3). CHARACTERISTIC :

3-1. INSULATION RESISTANCE :

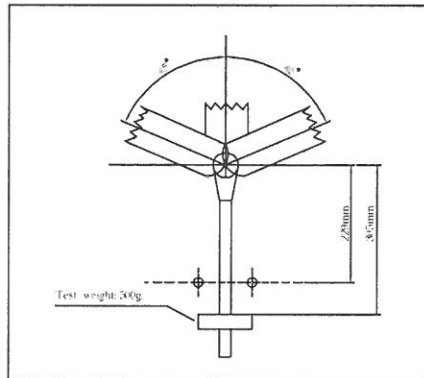
THE INSULATION RESISTANCE SHALL BE NOT LESS 100 MEGAOHMS MEASURE BY MAGEETO MEGAOHMS METER WHICH HAS OPEN- CIRCUIT OUTPUT OF 500 VDC AT TERPERATURE OF 25°C.

3-2. DIELECTRIC STRENGTH :

THE PLUG OR CONNECTOR SHALL BE CAPABLE OF WITHSTANDING 2000 V AC AND CUT-OFF CURRENT MAX. 1 mA. FOR EACH CONNECTOR WITHOUT BREAKDOWN FOR A PERIOD OF 1 SEC.

3-3. BENDING TEST :

THE SPECIMEN SHALL BE CAPABLE OF WITHSTANDING APPLY 2500 TIMES AND BENDING TO 45° OF RIGHT AND LEFT-HAND SIDE WITH A RATE OF APPROXMATE 30 TIME PER MINUTE AND CORD SHALL BE APPLIED A WEIGHT OF 0.5 Kgs. AFTER THIS TESTED THE SPECIMEN SHALL NOT DAMAGE.



3-4 MOISTURE RESISTANCE :

PUT SPECIMEN INTO A HUMIDITY CABINET CONTAINING AIR WITH A RELATIVE HUMIDITY MAINTAINED BETWEEN 91% AND 95% THE TEMPERATURE OF 40°C ± 2 FOR 168 HOURS. AFTER THIS TESTED THE SPECIMENS SHALL NOT DAMAGE.

3-5 HEAT RESISTANCE :

KEEP SPECIMEN AT 100°C ± 2 CIRCULATING OVEN FOR 1 HOURS. THE SPECIMENS IS CLAMPED BETWEEN STEEL JAWS HAVING A CYLINDRICAL FACE OF 25 mm RADIUS A WIDTH OF 15 mm AND A LENGTH OF 50 mm. THE CORNER ARE ROUDED WITH A RADIUS OF 25 mm. THE SPECIMEN IS CLAMPED IN SUCH A WAY THAT THE JAWS PRESS AGAINST IT IN THE AREA WHERE IT IS GRIPPED IN NORMAL USD. THE CENTER LINE OF THE JAWS, AFETR JAWS ARE REMOVED AND THE SPECIMEN SHALL SHOW NOT DAMAGE WITHIN THE MEANING OF THIS STANDARD.

3-6 SECURITY OF BLADES :

3-6-1. ON THE BLADES & CONNECTORS.

EACH BLADE SHALL BE CAPABLE OF WITHSTANDING A PULL OF 20 LBS FOR 2 MINUTES. CAN NOT BREAKING.

3-6-2. ON BLADES & MOULDING.

EACH BLADE SHALL BE CAPABLE OF WITHSTANDING A PULL OF 20 LBS FOR 2 MINUTES. BLADE CAN NOT PULL OVER 2.4 mm.

3-6-3. ON BLADE & MOULDING.

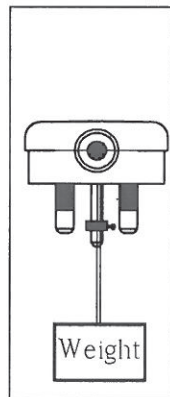
EACH WIRE SHALL BE CAPABLE OF WITHSTANDING A PULL OF 30 LBS FOR 2 MINUTES NO DIFFERENCE.

3-6-4. SECURITY OF BLADES TSETED :

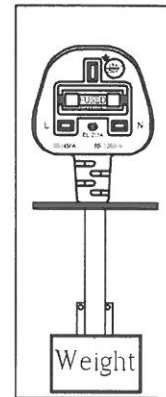
THE FITTINGS SHALL BE SECURITY SUPPORTED BY A FLAT MOUNTED HORIZONTALLY. A STRAIGHT PULL OF THE SPECIMEN WEIGHT SHALL BE APPLIED FOR A SPECIMEN TIMES.

* AT AFTER, A PULL SHALL BE APPLIED TO EACH POLARIZE BLADE INDEPENDENTLY AND THE BOTH BLADES AT ONCE.

Between an attachment
Plug and Blade



Between an attachment
Plug and Flexible cord.



3-7. ABRUPT :

EACH CORD SET OF POWER SUPPLY CORD SHALL BE OF WITHSTANDING ABRUPT STRIKING STEEL YARD WEIGHT 3 LBS ON THE WIRE IN 10 INCH ABRUPT PULL 20 TIMS. CAN NOT BREAKOUT.

3.8. FLAMMABILITY BY VW-1 :

A VERTICAL SPECIMEN OF THE FINISHED WIRE SHALL NOT BE FLAMED LONGER THAN 1 MINUTE. FOLLOWING FIVE 15 SEC. APPLICATION OF FLAME. THE PERIOD BETWEEN APPLICATION IS : (1) 15 SEC. IF THE SPECIMEN FLAMED CEASES WITHIN 15 SEC. OR (2) THE DURATION OF THE SPECIMEN FLAME, IF THE SPECIMEN FLAMED PERSISTE LONGER THAN 15 SEC. THE SPECIMEN SHALL NOT IGNITE COMBUSTIBLE MATERIALS IN IT'S VICINITY OR DAMAGE MORE THAN 25% OF THE INDICATOR GLAG DURING BETWEEN OR AFTER APPLICATION.

4). APPEARANCE:

IT SHALL NOT SHOW DAMAGES ON THE SURFACE OF THE PLUG AND CONNECTOR OR FLEXIBLE CORD.

5). ALL CORD SHALL BE TESTER 100% TO THE FOLLOWING TESTS:

- 1 GROUND INTEGRITY TEST.
- 2 CONTINUITY & POLARITY TEST.
- 3 DIELECTRIC STRENGTH OF PLUG / CONNECTOR TEST.