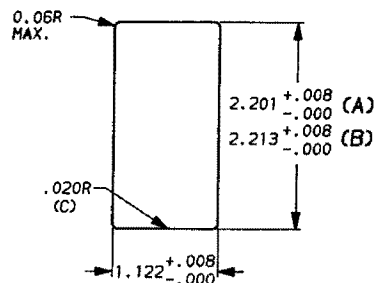


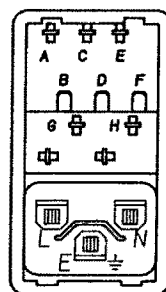
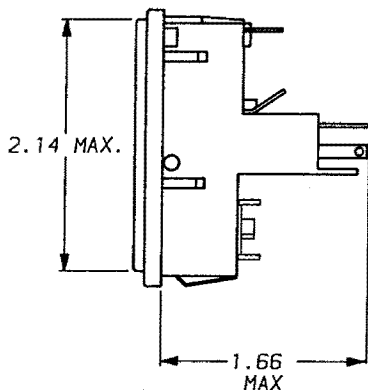
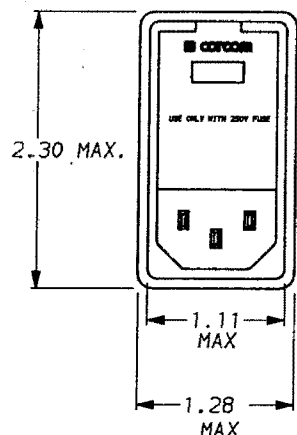
DESCRIPTION	APPROVED BY/DATE	REV
ECO-09-026495	C. Weathers 9-23-91	0
	AEG 10DEC09	A1



RECOMMENDED PANEL CUTOUT
(NOT TO SCALE)

NOTES:

- (A) FOR PANEL TH'K. OF .031 - .079
- (B) FOR PANEL TH'K. OF .083 - .126
- (C) FOR SNAP-IN APPLICATION, THE SIDES OF THE CUTOUT MUST HAVE A .020R. ON THE INSTALLATION SIDE.



SAFETY ORGANIZATION(S):

THIS MODULE HAS BEEN FORMALLY RECOGNIZED, CERTIFIED OR APPROVED BY THE LISTED AGENCY. THEREFORE, ALL TEST/REQUIREMENTS SPECIFIED IN THE LATEST REVISION OF THE FOLLOWING AGENCY STANDARDS HAVE BEEN MET:

UL, CSA, VDE, SEV, SEMKO, DEMKO, NEMKO, FINLAND, NETHERLANDS, & ITALY

SPECIFICATIONS:

FUSE (5 X 20 MM OR 6,3 X 32 MM): MAX 6,3 AMP
 VOLTAGE SELECT: (MODULE ACCEPTS EITHER ONE OR TWO FUSES)
 (FOUR VOLTAGE VOLTAGE SELECT DRUM SUPPLIED)
 STANDARD RATING: 10 A 250 VAC
 UL 498/CSA 22.2 RATING: 6 A 250 VAC
 MAX PIN TEMPERATURE: 65°C
 TESTING VOLTAGE TO ACCESSIBLE SURFACES: 4000 VAC
 SUITABLE FOR APPLIANCE CLASS: I
 INSULATION RESISTANCE: >10 MΩ

	100V	120V	220V	240V
F - E	●—●	●—●		
D - E	●—●	●—●	●—●	●—●
D - C	●—●	●—●	●—●	●—●
B - C	●—●	●—●	●—●	●—●
B - A	●—●	●—●	●—●	●—●

NOTE: ALL BACKPLATE TERMINALS ARE .110 FASTONS.

1 OBSOLETE PARTS: OBSOLETE CIS STREAMLINING PER D.RENAUD/D.SINISI

This document is proprietary to CORCOM INC. and is not to be reproduced nor used for manufacturing purposes except on CORCOM's order or prior written consent.

6609121-6
 OBSOLETE 1809121-6

TOLERANCE EXCEPT AS NOTED DECIMAL: .XXX .XX .X ANGLES ENGLISH: METRIC: ± —	 LIBERTYVILLE, IL 60048	
MATERIAL: AS SUPPLIED	POWER ENTRY MODULE	
FINISH: AS SUPPLIED	SCALE NTS DRW. BY CFW	DATE 9-19-91 ORIGINATOR CFW
	DRG. NO. 6EL4C.	REV. A1