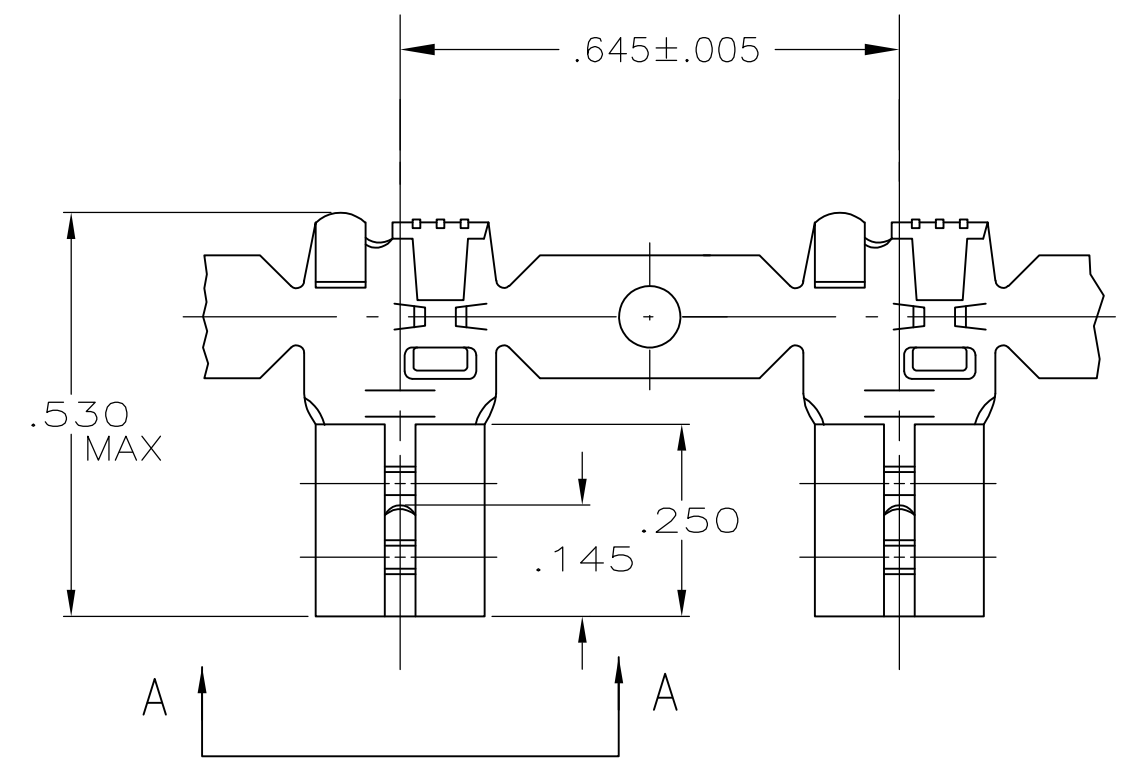
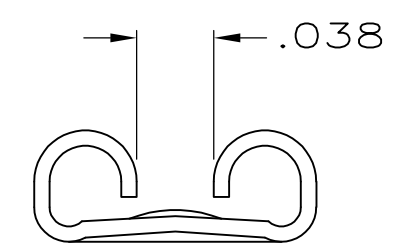


THIS DRAWING IS UNPUBLISHED. RELEASED FOR PUBLICATION
 © COPYRIGHT - By - ALL RIGHTS RESERVED.

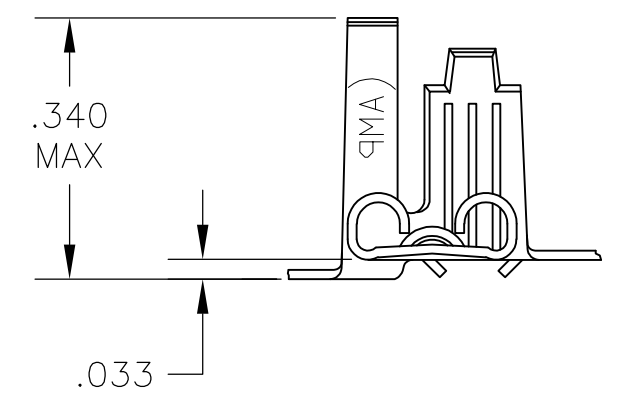
LOC	DIST	REVISIONS			
P	LTR	DESCRIPTION	DATE	DWN	APVD
AF	50	P			
		P	REVISED PER ECR-12-013445	18OCT12	KH PD



- 1 CONTINUOUS STRIP ON REELS.
- 2 WIRE SIZE IS #20-#16 AWG
- 3 INSULATION RANGE IS .110-.170 DIA
- 4 MATING TAB THK IS $.020 \pm .001$



VIEW A-A



SILVER	BRASS	42486-4
NICKEL	.012 STEEL	42486-3
TIN	BRASS	42486-2
---	BRASS	42486-1
FINISH	MATERIAL	PART NO.

THIS DRAWING IS A CONTROLLED DOCUMENT.		DWN JR RUTH 2/7/86	TE Connectivity		
DIMENSIONS: INCHES		CHK G YETTER 2/7/86			
		APVD R KUZO 2/7/86	RECEPTACLE, FASTON, FLAG, .187 SERIES		
TOLERANCES UNLESS OTHERWISE SPECIFIED:		PRODUCT SPEC	-		
0 PLC ± -		APPLICATION SPEC	-		
1 PLC ± -		WEIGHT	-		
2 PLC ± -		SIZE	CAGE CODE	DRAWING NO	RESTRICTED TO
3 PLC ± .015		A3 00779		C-42486	-
4 PLC ± -		CUSTOMER DRAWING			
ANGLES ± -		SCALE	SHEET	REV	
MATERIAL SEE TABLE		4:1		1 OF 1	P
FINISH SEE TABLE					