

NOTES

- 1. 材料及び仕上げ(めっき仕様) : TABLE 1 参照  
MATERIAL AND FINISHES : SEE TABLE 1
- 2. 製品仕様書 : 5019390000-PS PS 003  
PRODUCT SPECIFICATION:
- 3. 梱包形態 : SEE SHEET 4  
PACKAGING INFORMATION:
- 4. 嵌合相手 : 501939 シリーズ  
MATES WITH : 501939 SERIES
- 5. アプリケーション仕様書(コネクタ取扱い説明書) : 5013300000-AS PS 001  
APPLICATION SPECIFICATION(CONNECTOR MANUAL):
- 6. ソルダーピン及びネイルの平坦度: 0.1 MAX  
SOLDER PIN AND NAIL COPLANARITY:
- 7. 偶数極に適応  
APPLY FOR EVEN CIRCUIT
- 8. 錫めっき品は2083830000-SD PSD 001の図面を御参照下さい。  
PLEASE REFER TO THE DRAWING OF 2083830000-SD PSD 001 FOR TIN PLATING VERSION

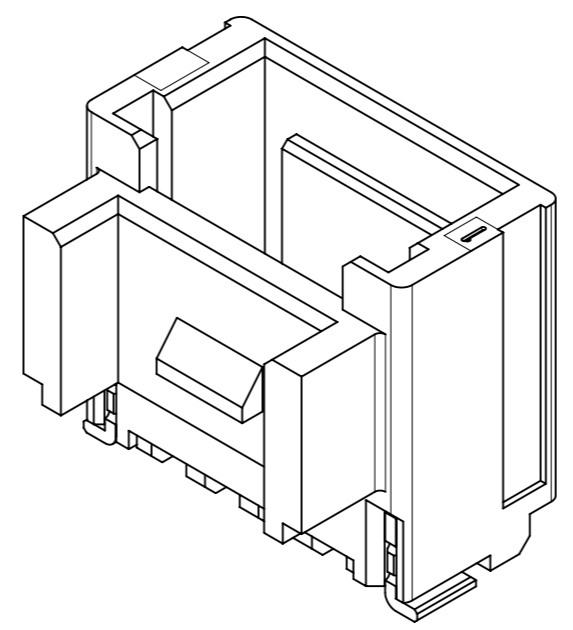
9. 製品番号構成 : 発注番号はSHEET 5 参照  
PRODUCT NUMBER COMPOSITION  
ORDER No. : SEE SHEET 5

**208383** \* \* \* \*

極数 CIRCUIT SIZE	ハウジングカラー HOUSING COLOR	製品識別番号(めっき厚) IDENTIFICATION NUMBER (PLATING THICKNESS)
	0:NATURAL(BEIGE)	7: 0.1 MICRO-METER MIN
	1:BLACK	5: 0.38 MICRO-METER MIN
		3: 0.76 MICRO-METER MIN

TABLE 1

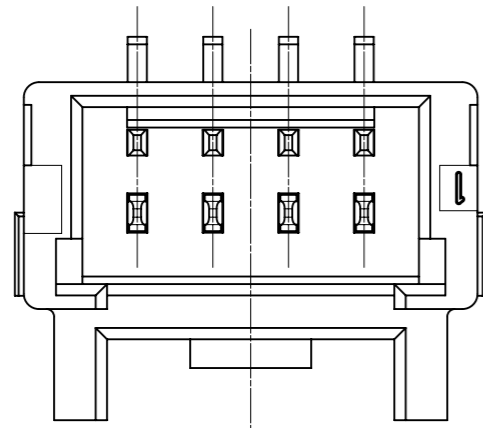
番号 NO.	部品 PART	材質 MATERIAL	
1	ウエハー WAFER	ポリアミド(PA), ガラス充填, UL94V-0, LOW HALOGEN, 色 : SEE SHEET 5 POLYAMIDE(PA), GLASS FILLED, UL94V-0, LOW HALOGEN, COLOR : SEE SHEET 5	
2	ソルダーピン SOLDER PIN	リン青銅 PHOSPHOR BRONZE	
		接点部 CONTACT AREA	金めっき : めっき厚はNOTES 9参照 GOLD PLATING : SEE NOTES 9 ABOUT THICKNESS
		テール部 TAIL AREA	金めっき GOLD PLATING
3	ネイル NAIL	リン青銅 PHOSPHOR BRONZE	
		テール部 TAIL AREA	錫めっき : 1.0 MICRO-METER MIN MATTE TIN PLATING
		下地めっき UNDER PLATING	ニッケルめっき : 1.0 MICRO-METER MIN NICKEL PLATING
4	カバーテープ COVER TAPE	ポリイミドテープ POLYIMIDE TAPE	



5.2	6.5	4.0	7.0	5
	5.5	3.0	6.0	4
4.2	4.5	2.0	5.0	3
D	C	B	A	極数 CIRCUIT SIZE

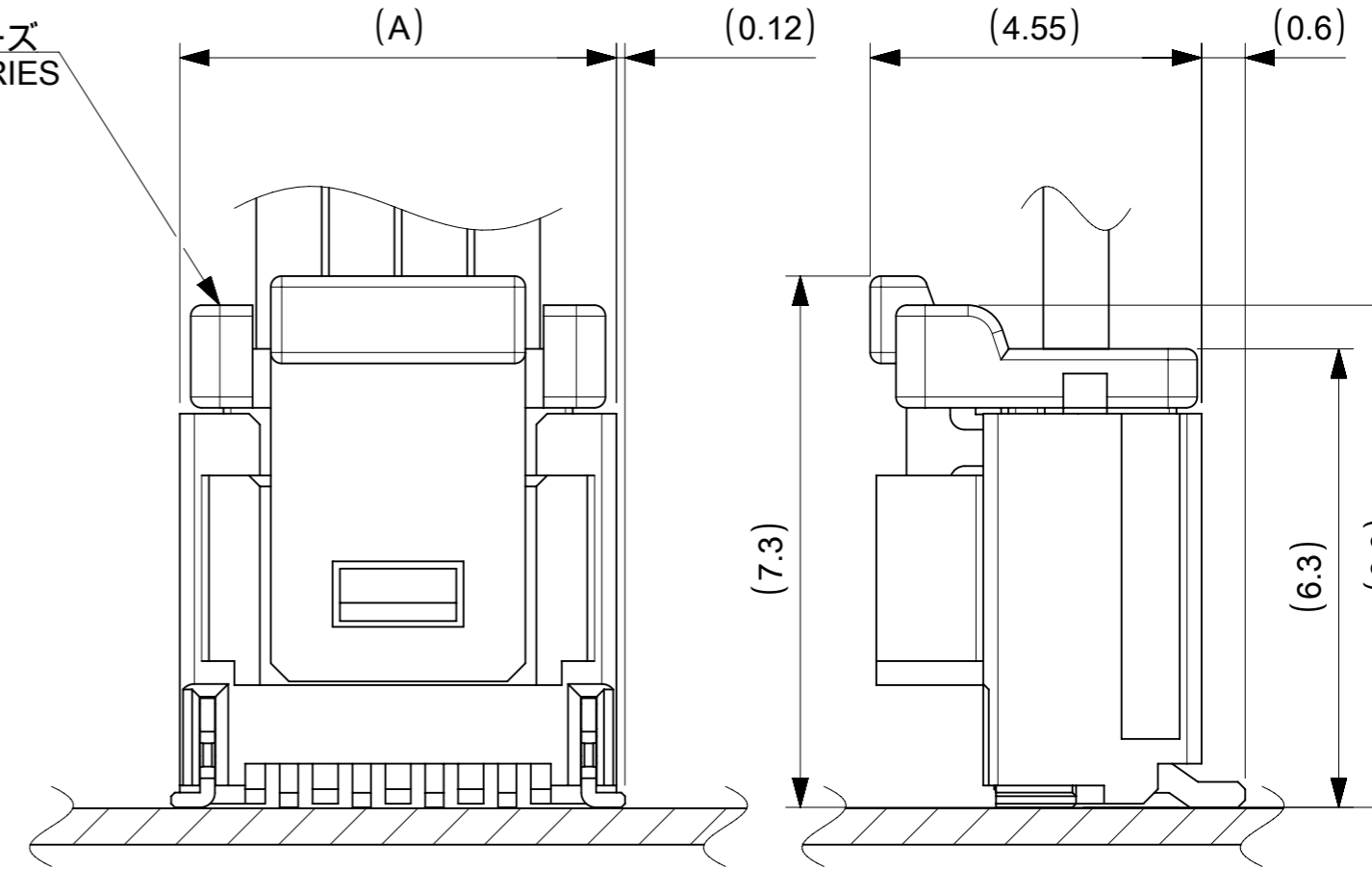
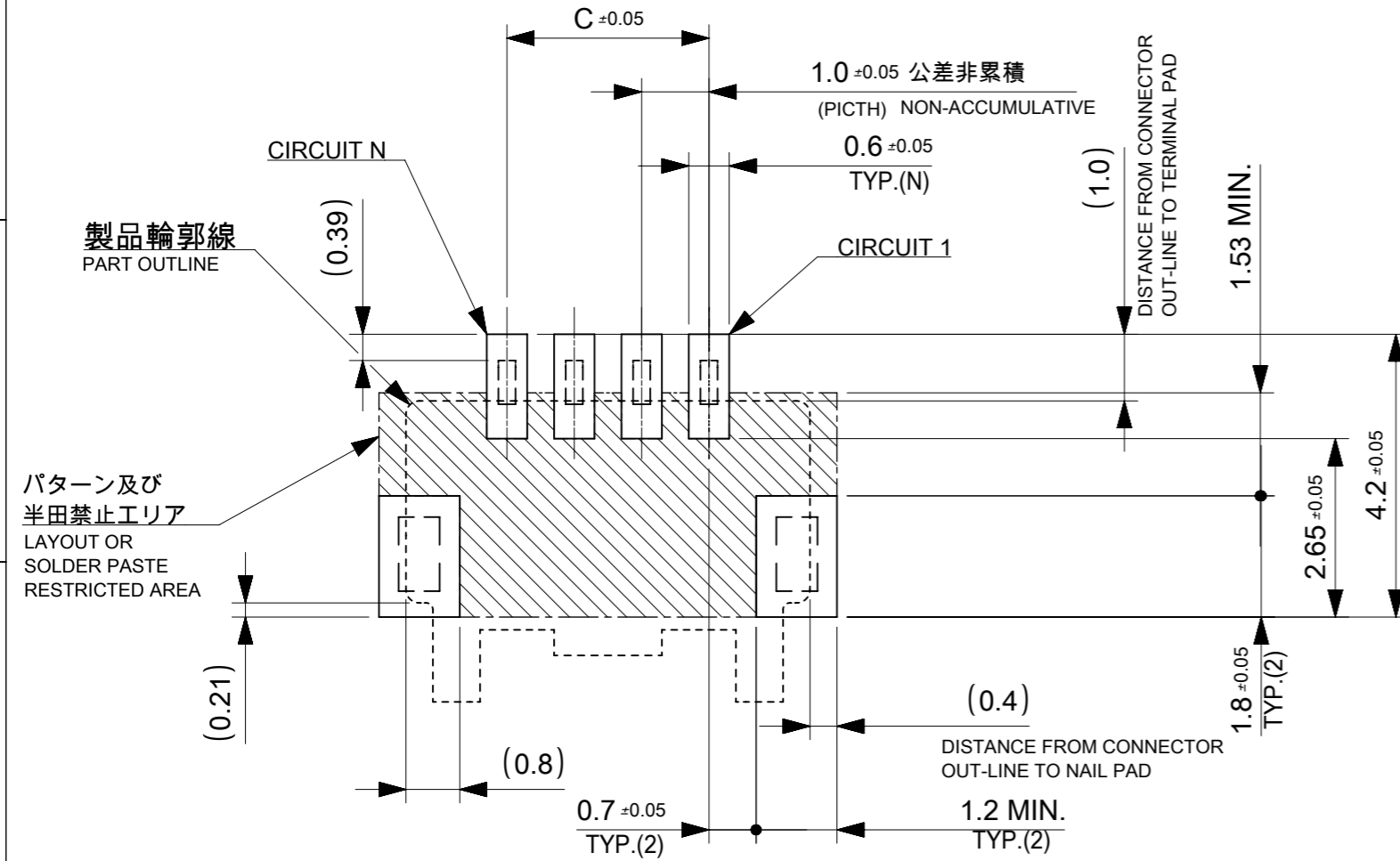
THIS DRAWING CONTAINS INFORMATION THAT IS PROPRIETARY TO MOLEX ELECTRONIC TECHNOLOGIES, LLC AND SHOULD NOT BE USED WITHOUT WRITTEN PERMISSION

DIMENSION UNITS	SCALE	CURRENT REV DESC:		<b>molex</b>		
mm	NTS					
GENERAL TOLERANCES (UNLESS SPECIFIED)		EC NO: 630585		PICO-CLASP 1.0 W/B		
ANGULAR TOL ± 3.0°		DRWN: AISHIKAWA 2019/10/11		SINGLE ROW VT SMT OUTER LOCK GOLD PLATING		
4 PLACES ± 0.2		CHK'D: AIDA 2020/01/21		LOW HALOGEN		
3 PLACES ± 0.2		APPR: SAKIYAMA 2020/01/21		PRODUCT CUSTOMER DRAWING		
2 PLACES ± 0.2		INITIAL REVISION:		DOCUMENT NUMBER		
1 PLACE ± 0.2		DRWN: AISHIKAWA 2019/10/11		2083830000-SD		
0 PLACES ± 0.2		APPR: SAKIYAMA 2020/01/21		PSD 000 A		
DRAFT WHERE APPLICABLE MUST REMAIN WITHIN DIMENSIONS		THIRD ANGLE PROJECTION		MATERIAL NUMBER		SHEET NUMBER
		DRAWING		CUSTOMER		1 OF 5
		A3-SIZE		SEE SHEET 5		
		SERIES				
		208383				



製品レイアウト  
PRODUCT LAYOUT


△4 嵌合相手 : 501939 シリーズ  
MATE WITH : 501939 SERIES

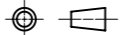


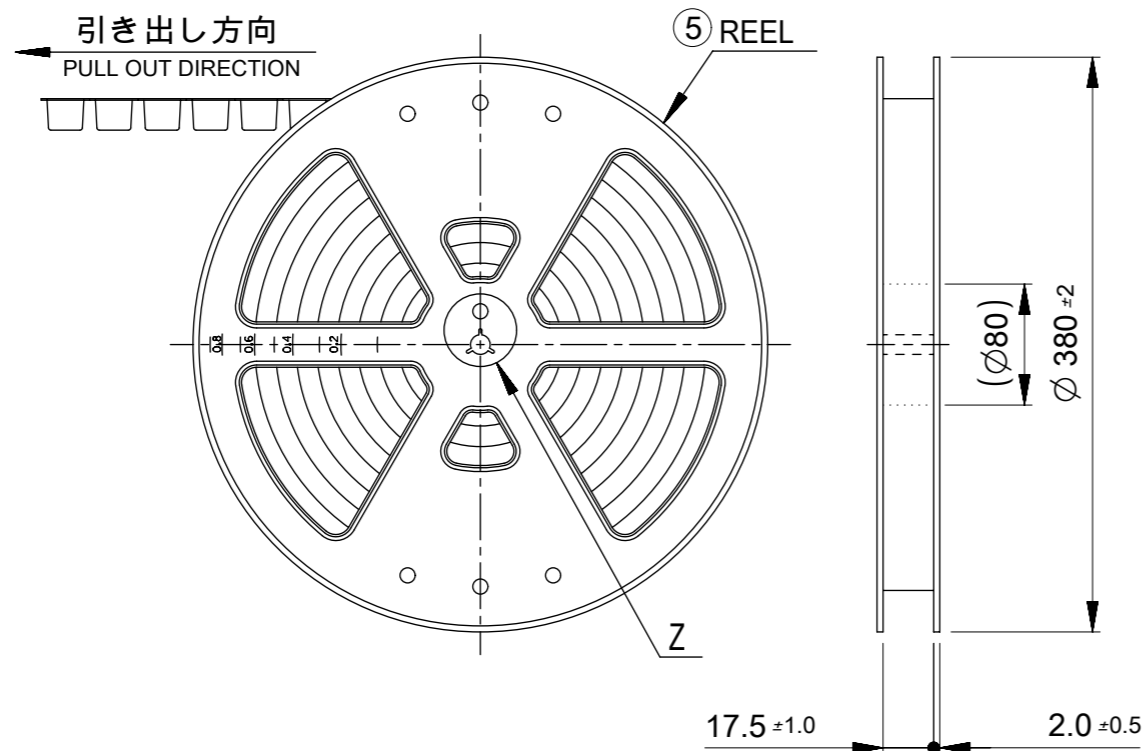
嵌合図  
MATED CONNECTORS

推奨基板レイアウト(全極数適応) : 実装面側  
(参考 : 基板厚 1.0mm, メタルマスク厚さ 0.12mm, マスク開口率100%)

POLARIZED RECOMMENDED PCB LAYOUT(APPLY TO ALL CIRCUIT) : COMPONENT SIDE  
(REFERENCE: PCB THICKNESS 1.0mm, STENCIL THICKNESS 0.12mm, APERTURE RATIO 100%)

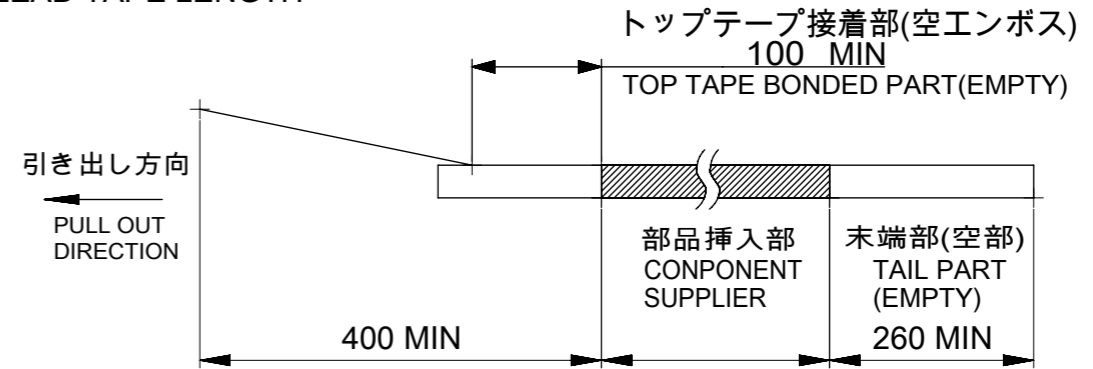
 :パターン禁止エリア  
RESTRICTED AREA  
NO PCB COMPONENTS ALLOWED

THIS DRAWING CONTAINS INFORMATION THAT IS PROPRIETARY TO MOLEX ELECTRONIC TECHNOLOGIES, LLC AND SHOULD NOT BE USED WITHOUT WRITTEN PERMISSION		CURRENT REV DESC:		<b>molex</b>	
DIMENSION UNITS	SCALE				
mm	NTS			PICO-CLASP 1.0 W/B SINGLE ROW VT SMT OUTER LOCK GOLD PLATING LOW HALOGEN	
GENERAL TOLERANCES (UNLESS SPECIFIED)		EC NO: 630585		PRODUCT CUSTOMER DRAWING	
ANGULAR TOL	± 3.0 °	DRWN: AISHIKAWA	2019/10/11	DOCUMENT NUMBER	
4 PLACES	± 0.2	CHK'D: AIDA	2020/01/21	DOC TYPE	
3 PLACES	± 0.2	APPR: SAKIYAMA	2020/01/21	DOC PART	
2 PLACES	± 0.2	INITIAL REVISION:		REVISION	
1 PLACE	± 0.2	DRWN: AISHIKAWA	2019/10/11	2083830000-SD	
0 PLACES	± 0.2	APPR: SAKIYAMA	2020/01/21	PSD 000 A	
DRAFT WHERE APPLICABLE MUST REMAIN WITHIN DIMENSIONS		THIRD ANGLE PROJECTION	DRAWING	SERIES	MATERIAL NUMBER
			A3-SIZE	208383	CUSTOMER
				SEE SHEET 5	SHEET NUMBER
				2 OF 5	

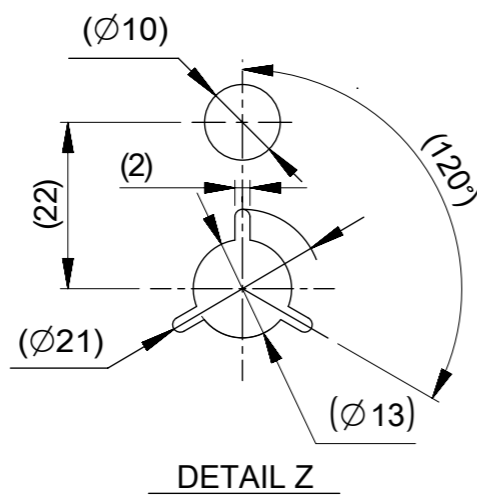


**NOTES**

- 10. 梱包数量:1100個/リール  
NUMBER OF CONNECTORS : 1100 PIECES/REEL
- 11. リードテープ長さ  
LEAD TAPE LENGTH



- 12. トップテープの剥離強度はIEC60286-3に準拠。  
TOP TAPE PEELING FORCE IS DEFINED BY IEC60286-3.
- 13. 梱包仕様書 : 2083839200-SPK PS 200  
PACKAGE SPECIFICATION:



THIS DRAWING CONTAINS INFORMATION THAT IS PROPRIETARY TO MOLEX ELECTRONIC TECHNOLOGIES, LLC AND SHOULD NOT BE USED WITHOUT WRITTEN PERMISSION		CURRENT REV DESC:		<b>molex</b>	
DIMENSION UNITS	SCALE				
mm	NTS			PICO-CLASP 1.0 W/B SINGLE ROW VT SMT OUTER LOCK GOLD PLATING LOW HALOGEN	
GENERAL TOLERANCES (UNLESS SPECIFIED)		EC NO: 630585		PRODUCT CUSTOMER DRAWING	
ANGULAR TOL	± 3.0 °	DRWN: AISHIKAWA	2019/10/11	DOCUMENT NUMBER	
4 PLACES	± 0.2	CHK'D: AIDA	2020/01/21	2083830000-SD	
3 PLACES	± 0.2	APPR: SAKIYAMA	2020/01/21	DOC TYPE	DOC PART
2 PLACES	± 0.2	INITIAL REVISION:		PSD	000
1 PLACE	± 0.2	DRWN: AISHIKAWA	2019/10/11	REVISION	
0 PLACES	± 0.2	APPR: SAKIYAMA	2020/01/21	A	
DRAFT WHERE APPLICABLE MUST REMAIN WITHIN DIMENSIONS		THIRD ANGLE PROJECTION	DRAWING	SERIES	MATERIAL NUMBER
			A3-SIZE	208383	CUSTOMER
				SEE SHEET 5	SHEET NUMBER
				3 OF 5	

番号 NO.	部品 PART	材質 MATERIAL
⑤	リール REEL	ポリスチレン(PS) <リサイクル材を含む> POLYSTYRENE(PS) <RECYCLE MATERIAL CONTAINED>
DOCUMENT STATUS	P1	RELEASE DATE 2020/01/21 04:06:38

引き出し方向  
PULL OUT DIRECTION

16mm幅テープ  
TAPE WIDTH:16mm

⑦ TOP TAPE

CONNECTOR

⑥ CARRIER TAPE

SECTION Y-Y

SECTION X-X

(7.5) コネクター中心位置  
CENTER OF CONNECTOR

(2.0) エンボスポケット中心位置  
CENTER OF EMBOSSED POCKET

累積ピッチ : 40 ±0.2  
ACUUMLATIVE PITCH:

CIRCUIT 1  $\phi 1.5^{+0.1}_{0.0}$

1.75 ±0.1

16.0 ±0.3

0.5 ±0.05

(5.65)

(5.8)

(6.8)

12.0 ±0.1

(5.65)

(2.55)

(D)

8.3	5
7.3	4
6.3	3
D	極数 CIRCUIT SIZE

THIS DRAWING CONTAINS INFORMATION THAT IS PROPRIETARY TO MOLEX ELECTRONIC TECHNOLOGIES, LLC AND SHOULD NOT BE USED WITHOUT WRITTEN PERMISSION

DIMENSION UNITS	SCALE	CURRENT REV DESC:	
mm	NTS		
GENERAL TOLERANCES (UNLESS SPECIFIED)		molex	
ANGULAR TOL ± 3.0°		PICO-CLASP 1.0 W/B	
4 PLACES ± 0.2	EC NO: 630585	SINGLE ROW VT SMT OUTER LOCK GOLD PLATING	
3 PLACES ± 0.2	DRWN: AISHIKAWA 2019/10/11	LOW HALOGEN	
2 PLACES ± 0.2	CHK'D: AIDA 2020/01/21	PRODUCT CUSTOMER DRAWING	
1 PLACE ± 0.2	APPR: SAKIYAMA 2020/01/21	DOCUMENT NUMBER	
0 PLACES ± 0.2	INITIAL REVISION:	DOC TYPE	
	DRWN: AISHIKAWA 2019/10/11	DOC PART	
	APPR: SAKIYAMA 2020/01/21	REVISION	
DRAFT WHERE APPLICABLE MUST REMAIN WITHIN DIMENSIONS	THIRD ANGLE PROJECTION	MATERIAL NUMBER	CUSTOMER
		2083830000-SD	SEE SHEET 5
	DRAWING	SHEET NUMBER	SHEET NUMBER
	A3-SIZE	208383	4 OF 5

番号 NO.	部品 PART	材質 MATERIAL
⑥	キャリアテープ CARRIER TAPE	ポリプロピレン(PP)、その他 POLYPROPYLEN(PP), etc
⑦	トップテープ TOP TAPE	ポリエチレン(PE)、その他 POLYETHYLENE(PE), etc

DOCUMENT STATUS	P1	RELEASE DATE	2020/01/21	04:06:38
-----------------	----	--------------	------------	----------

E

D

C

B

A

△ 製品一覧 PRODUCT LIST

0.76 MICRO-METER		0.38 MICRO-METER		0.1 MICRO-METER		金めつき厚 GOLD PLATING THICKNESS
黒 BLACK	自然色 NATURAL(BEIGE)	黒 BLACK	自然色 NATURAL(BEIGE)	黒 BLACK	自然色 NATURAL(BEIGE)	色 COLOR
208383 0513	208383 0503	208383 0515	208383 0505	208383 0517	208383 0507	5
208383 0413	208383 0403	208383 0415	208383 0405	208383 0417	208383 0407	4
208383 0313	208383 0303	208383 0315	208383 0305	208383 0317	208383 0307	3
発注番号 ORDER No.						極数 CIRCUIT SIZE
PACKAGING STYLE : EMBOSSED TAPE AND REEL						

THIS DRAWING CONTAINS INFORMATION THAT IS PROPRIETARY TO MOLEX ELECTRONIC TECHNOLOGIES, LLC AND SHOULD NOT BE USED WITHOUT WRITTEN PERMISSION									
DIMENSION UNITS mm		SCALE NTS		CURRENT REV DESC:				<b>molex</b>	
GENERAL TOLERANCES (UNLESS SPECIFIED)				EC NO: 630585					
ANGULAR TOL ± 3.0 °		4 PLACES ± 0.2		DRWN: AISHIKAWA 2019/10/11		SINGLE ROW VT SMT OUTER LOCK GOLD PLATING LOW HALOGEN		PRODUCT CUSTOMER DRAWING	
3 PLACES ± 0.2		2 PLACES ± 0.2		CHK'D: AIDA 2020/01/21		APPR: SAKIYAMA 2020/01/21			
1 PLACE ± 0.2		0 PLACES ± 0.2		INITIAL REVISION:		DOCUMENT NUMBER		DOC TYPE DOC PART REVISION	
DRAFT WHERE APPLICABLE MUST REMAIN WITHIN DIMENSIONS		THIRD ANGLE PROJECTION		DRAWING		SERIES		MATERIAL NUMBER	
		A3-SIZE		208383		SEE SHEET 5		CUSTOMER	
								SHEET NUMBER	
								5 OF 5	