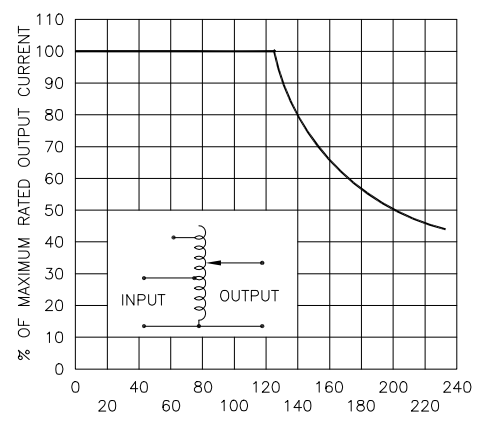
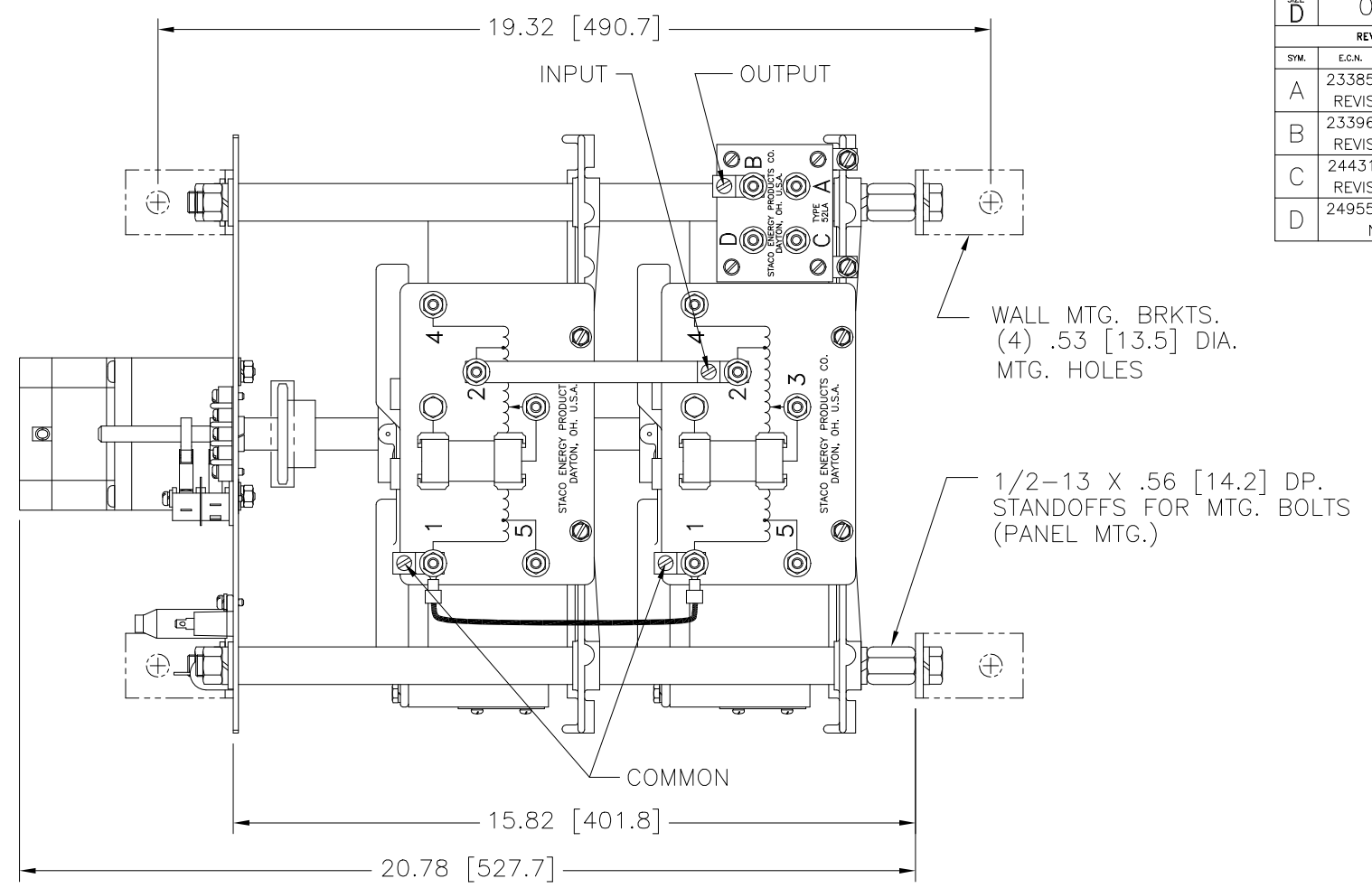
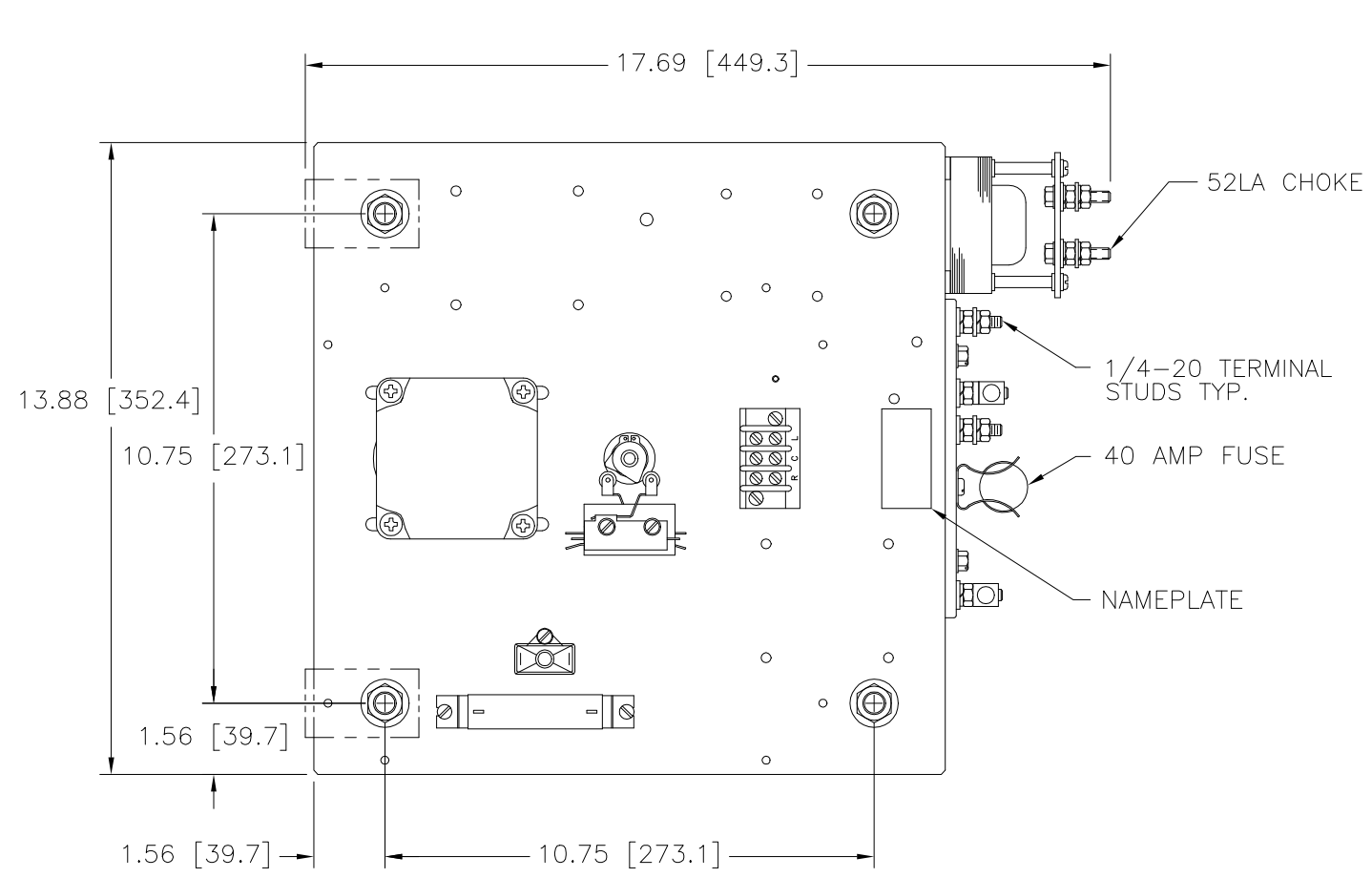
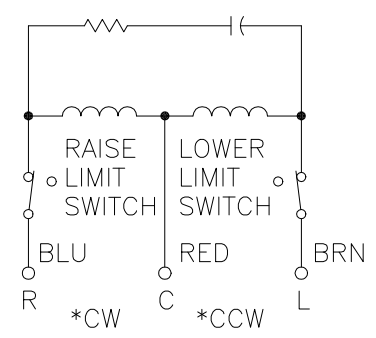


DWG. NO.	032-7616		
REVISIONS			
SYM.	E.C.N.	DATE	APVD.
A	23385	4/26/97	
REVISED & UPDATED			
B	23396	5/12/97	
REVISED & UPDATED			
C	24431	12/21/00	
REVISED & UPDATED			
D	24955	11/20/02	
NEW MOTOR			

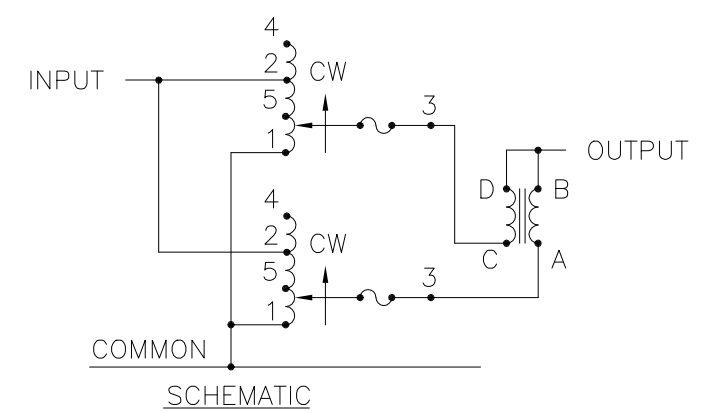


$$\frac{\text{OUTPUT VOLTAGE}}{\text{INPUT VOLTAGE}} \times 100$$

FIGURE A
MAXIMUM OUTPUT CURRENT OF ANY DUAL INPUT VOLTAGE OR VOLTAGE DOUBLER UNIT OPERATED AT LOWER INPUT VOLTAGE.



120V, 50/60 HZ.
* ROTATION AS VIEWED FROM MOTOR END
SPEED: SEE CHART
MOTOR CIRCUIT



* VOLTAGE DOUBLER

MAXIMUM OUTPUT CURRENT IN OUTPUT VOLTAGE RANGE FROM 0 TO 25% ABOVE LINE VOLTAGE. AT HIGHER OUTPUT VOLTAGES, OUTPUT CURRENT MUST BE REDUCED ACCORDING TO RATING CURVE, FIGURE A.

‡ MAXIMUM KVA AT MAXIMUM OUTPUT AND CORRESPONDING DE-RATED CURRENT. MAXIMUM KVA AT LOWER OUTPUT VOLTAGES MAY BE CALCULATED FROM RATING CURVE, FIGURE A.

SPECIFICATIONS								
WIRING	INPUT		OUTPUT			SHAFT ROTATION FOR INCREASE VOLTAGE	TERMINAL CONNECTIONS	
	VOLTS	HERTZ	VOLTS	MAX. AMPS	MAX. KVA		FOR INCREASING VOLTAGE AS VIEWED FROM ROTOR END	
							INPUT	OUTPUT
SINGLE PHASE	240	50/60	0-240	70	16.8	CW	1-4	1-B
			0-280	70	19.6	CW	1-2	1-B
PARALLEL	120	50/60	0-280	70-30 #	8.4 ‡	CW	1-5	1-B

SPEED (SECONDS)	MODEL NUMBER
15	15M6020-2P
30	30M6020-2P
60	60M6020-2P

UNLESS OTHERWISE SPECIFIED, TOLERANCE IS ± DECIMALS HOLES .12 .002 ANGLES 1° DRAFT 1-1/2° UNITS IN [mm]

TITLE: SPEC. CONTROL DRAWING MOTORIZED VARIABLE XFMR. TYPE: M6020-2P

STACO ENERGY PRODUCTS CO. A Components Corporation of Ametec Company 302 Gadsden Boulevard Dayton, Ohio 45403 USA

THE INFORMATION AND DESIGN DISCLOSED HEREIN WAS ORIGINATED BY AND IS THE PROPERTY OF STACO ENERGY PRODUCTS CO., WHICH RESERVES ALL PATENT, PROPRIETARY, DESIGN, MANUFACTURING, REPRODUCTION, USE AND SALE RIGHTS THEREOF, AND TO ANY ARTICLE DISCLOSED THEREIN EXCEPT TO THE EXTENT RIGHTS ARE EXPRESSLY GRANTED TO OTHERS. THE FOREGOING DOES NOT APPLY TO VENDOR PROPRIETARY PARTS.

DRAWN BY: TIM RAU DATE: 1/26/96 FIRST USED ON: DO NOT SCALE DWG.

CHECKER: DATE: WEIGHT APPROX. 169 LBS CAGE CODE 83008

ENGINEER: DATE: SCALE .5=1 SHEET 1 OF 2

DWG. NO. 032-7616