

6

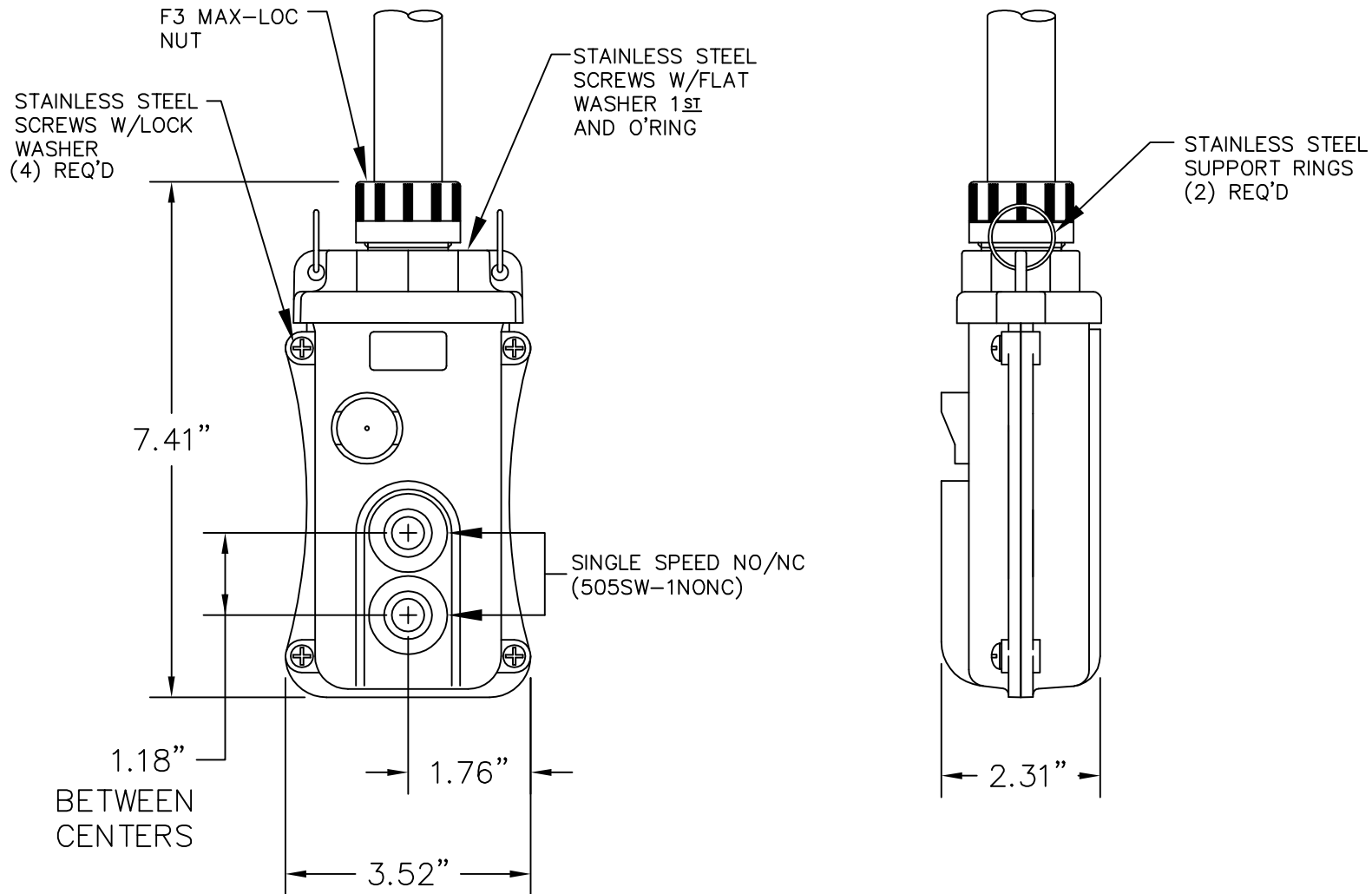
5

4

3

2

1



NOTES:

1. INSTALLATION INSTRUCTIONS, BUTTON ID. LABELS. ARE PACK WITH THE PART.
2. ALL BUTTONS ARE HIGH AMBIENT, CHEMICALLY RESISTANT MATERIAL - COLOR BLACK

RELEASE DRAWING EC NO: WNA2009-0393 DRWN: TVICKERS 2008/12/15 CHKD: HK 2008/12/16 APPR: DTTIUS 2009/01/05	DESCRIPTION REV	QUALITY SYMBOLS $\nabla=0$ $\sphericalangle=0$	GENERAL TOLERANCES (UNLESS SPECIFIED)		DIMENSION STYLE INCH		SCALE NTS	DESIGN UNITS INCH	THIRD ANGLE PROJECTION			
				mm	INCH	DRAWN BY TV	DATE 2008/12/16	TITLE 5052 W/ (505SW-1NONC)				
			4 PLACES	±----	±----	CHECKED BY HK	DATE 2008/12/16					
			3 PLACES	±----	±.020	APPROVED BY DT		DATE 2008/12/16	MOLEX INCORPORATED			
2 PLACES	±----	±.010	MATERIAL NO. 1301260303		DOCUMENT NO. SD-130126-020	SHEET NO. 1 OF 1						
1 PLACE	±----	±.005	ANGULAR ±5°		THIS DRAWING CONTAINS INFORMATION THAT IS PROPRIETARY TO MOLEX INCORPORATED AND SHOULD NOT BE USED WITHOUT WRITTEN PERMISSION							
DRAFT WHERE APPLICABLE MUST REMAIN WITHIN DIMENSIONS			SIZE A									

6

5

4

3

2

1

E

E

D

D

C

C

B

B

A

A