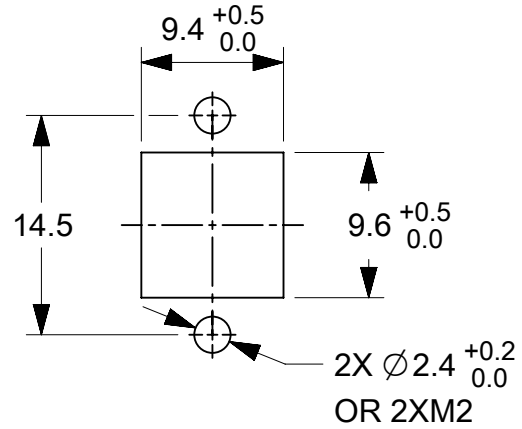
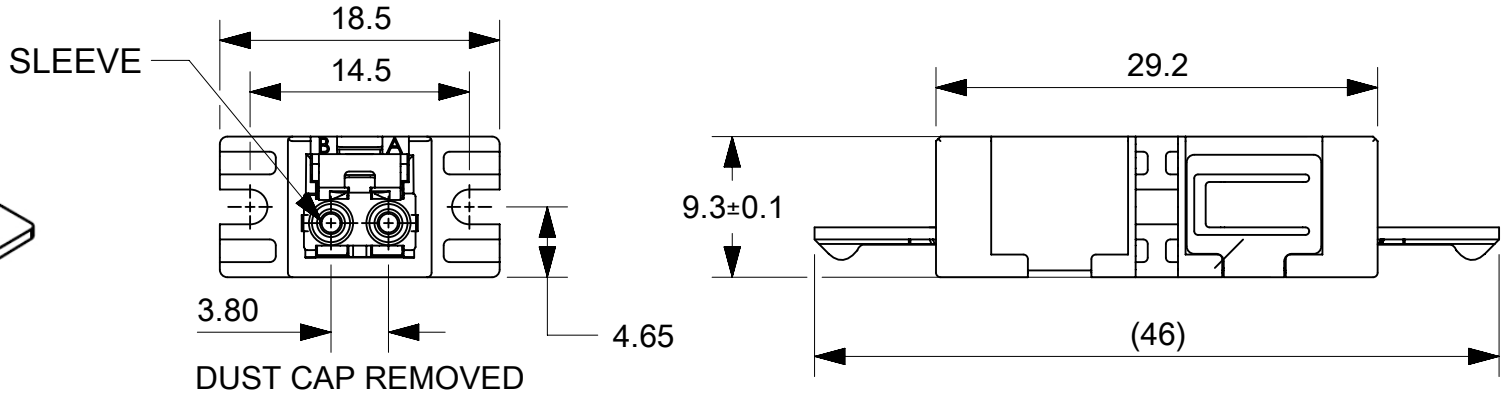
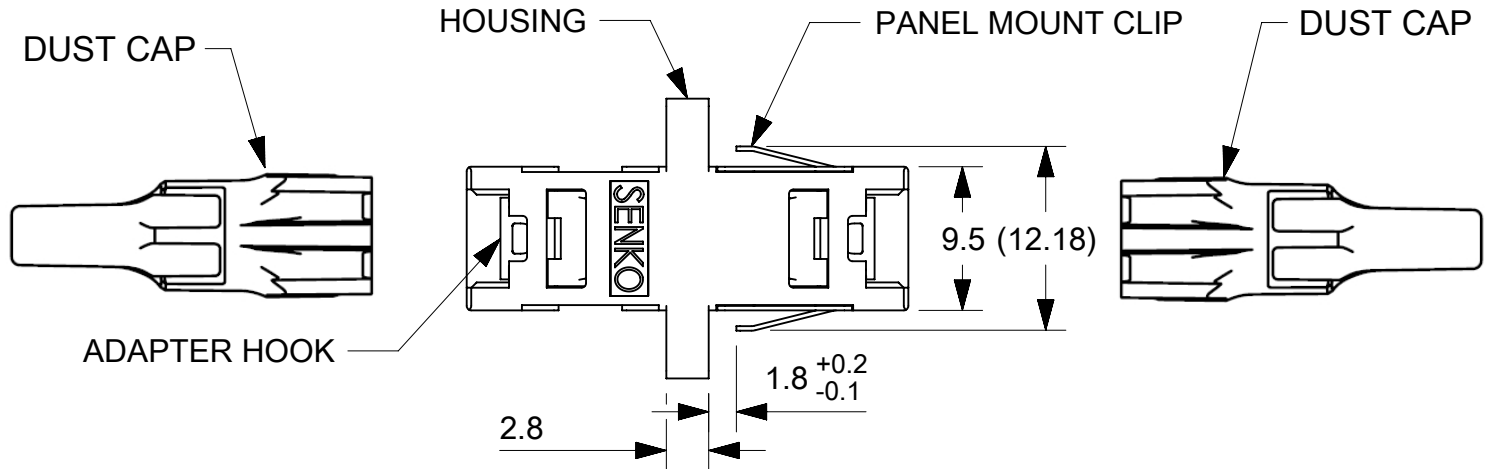
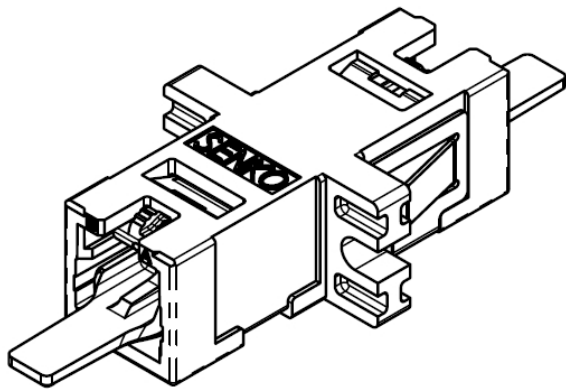


MOLEX P/N	COLOR
1060291001	BLUE
1060291004	AQUA(OM3)



MOUNTING HOLE DIMENSIONS
(REFERENCE ONLY)
PANEL THICKNESS 1.7mm MAX



NOTES:

1. ALL MATERIALS ARE COMPLIANT TO RoHS, REACH SVHC AND UL 94 V-0.
2. INTERFACE DIMENSIONS COMPLIANT TO TYPE CS FAMILY SPECIFICATION.

THIS DRAWING CONTAINS INFORMATION THAT IS PROPRIETARY TO MOLEX ELECTRONIC TECHNOLOGIES, LLC AND SHOULD NOT BE USED WITHOUT WRITTEN PERMISSION

DIMENSION UNITS	SCALE	CURRENT REV DESC:		
mm	1:2			
GENERAL TOLERANCES (UNLESS SPECIFIED)				
ANGULAR TOL	± 3.0°			
4 PLACES	±	EC NO: 737868		
3 PLACES	±	DRWN: JHUANG18	2021/05/24	
2 PLACES	± 0.1	CHK'D: IGUMIN	2023/02/09	
1 PLACE	± 0.2	APPR: IGUMIN	2023/02/09	
0 PLACES	±	INITIAL REVISION:		
		DRWN: SDXIE	2018/10/18	
		APPR: IGUMIN	2018/10/30	
DRAFT WHERE APPLICABLE MUST REMAIN WITHIN DIMENSIONS		THIRD ANGLE PROJECTION	DRAWING	SERIES
			A4-SIZE	106029
		MATERIAL NUMBER		CUSTOMER
		1060291001		SEE TABLE
		DOC TYPE		DOC PART
		PSD		000
		REVISION		C
		SHEET NUMBER		1 OF 1

molex

CS 2F SINGLE CHANNEL W/FLG

PRODUCT CUSTOMER DRAWING

DOCUMENT NUMBER	DOC TYPE	DOC PART	REVISION
1060291001	PSD	000	C

DOCUMENT STATUS	P1	RELEASE DATE	2023/02/09	05:01:42
-----------------	----	--------------	------------	----------