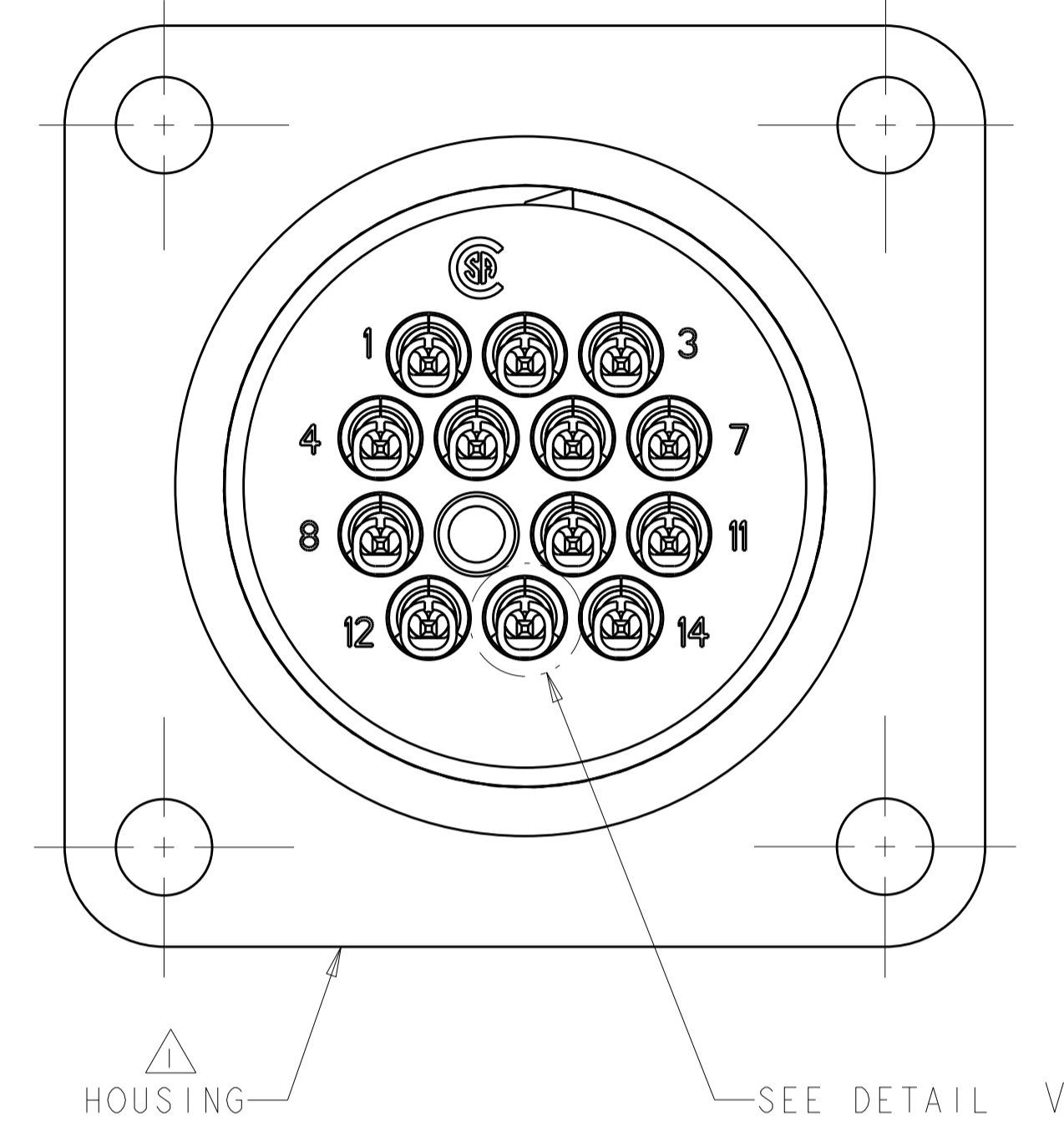
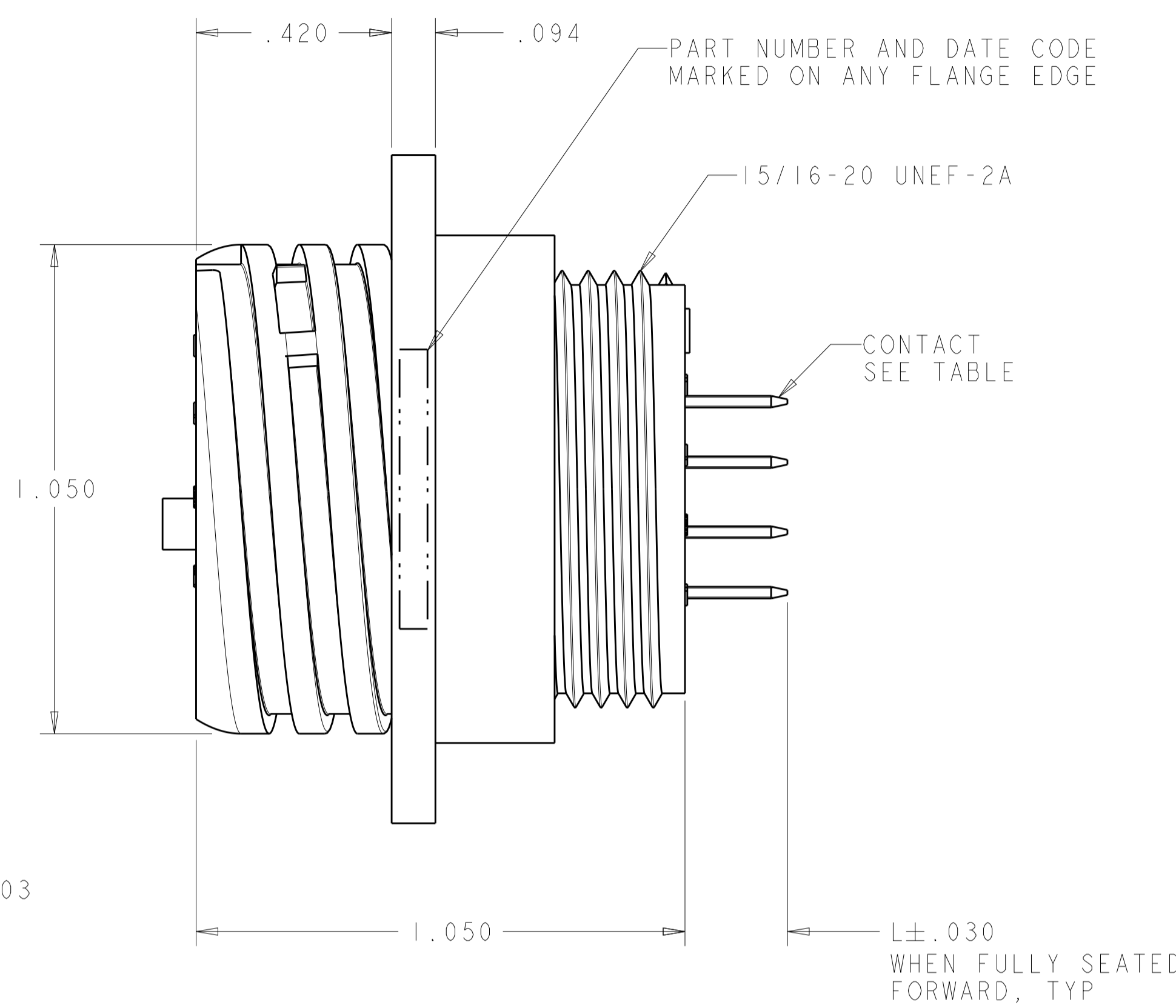
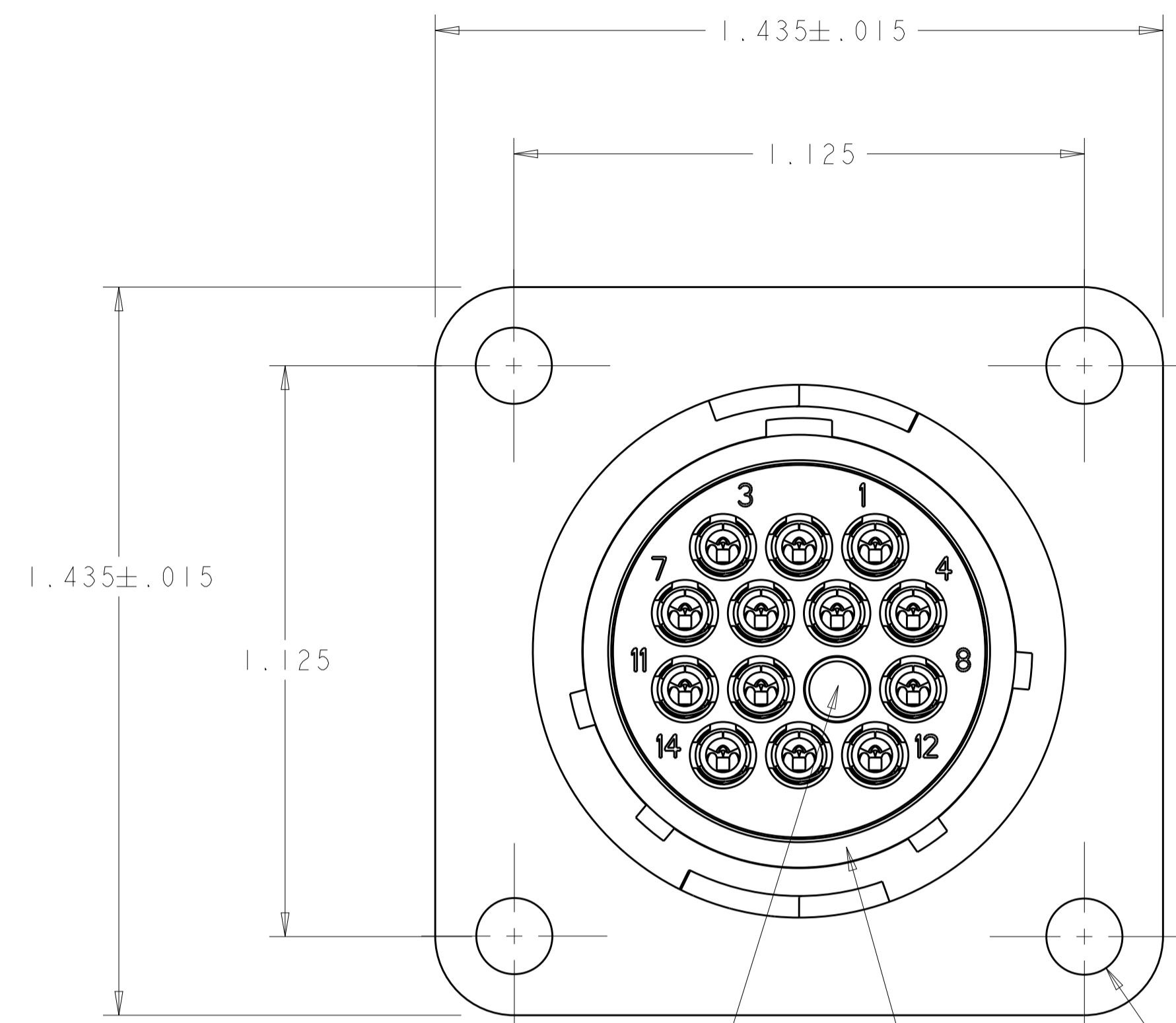
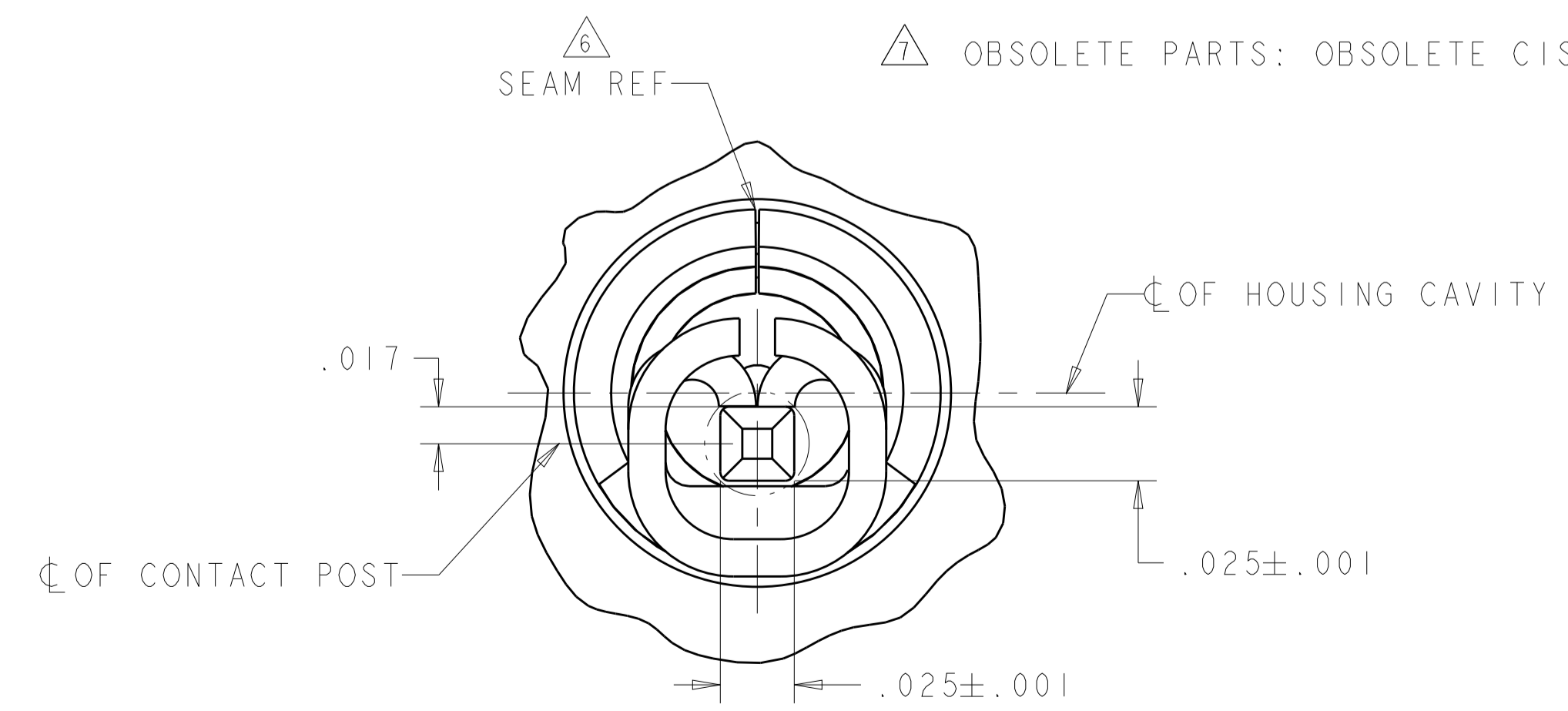


| REVISIONS |     |                           |           |       |
|-----------|-----|---------------------------|-----------|-------|
| P.        | LTN | DESCRIPTION               | DATE      | APVD  |
| R1        |     | REVISED PER ECO-16-004800 | 10SEP2016 | NK MZ |
| S         |     | REVISED PER ECO-16-018356 | 23MAR2017 | RS MZ |
| T         |     | REVISED PER ECO-19-011232 | 07AUG2019 | RS MZ |



KEYING PLUG SEE TABLE  
 PERIPHERAL SEAL SEE TABLE  
 $\varnothing .150 \pm .003$  4 PLC

- 1 HOUSING: NYLON, UL 94 V-0 RATED, BLACK.
- 2 CONTACT:  
 BODY - BRASS, .000100 MIN TIN-LEAD OVER .000050 MIN NICKEL.  
 POST - BRASS, .000100 MIN TIN-LEAD OVER .000050 MIN NICKEL.
- 3 CONTACT:  
 BODY - BRASS, .000100 MIN TIN OVER .000050 MIN NICKEL.  
 POST - BRASS, .000100 MIN TIN OVER .000050 MIN NICKEL.
- 4 PERIPHERAL SEAL: ELASTOMER, BLACK.
- 5 KEYING PLUG: NYLON, NATURAL.
- 6 .009 MAXIMUM CONTACT LEAD-IN SEAM GAP PERMISSIBLE ON MATING FACE END.
- 7 OBSOLETE PARTS: OBSOLETE CIS STREAMLINING PER D.RENAUD/D.SINISI



DETAIL V  
 SCALE 20:1

| STATUS   | L    | KEYING PLUG | PERIPHERAL SEAL | FINISH | QTY | SELECT LOAD IN POSITIONS | PART NUMBER |
|----------|------|-------------|-----------------|--------|-----|--------------------------|-------------|
| OBSOLETE | .368 | -           | YES             | 3      | 13  | 1-5, 7-14                | 213825-8    |
|          | .220 | -           | YES             | 3      | 14  | ALL                      | 1-213825-7  |
| OBSOLETE | .220 | -           | YES             | 3      | 11  | 1, 3, 4, 6, 8-14         | 213825-6    |
| OBSOLETE | .220 | POSN 9      | YES             | 3      | 13  | 1-8, 10-14               | 213825-5    |
| OBSOLETE | .220 | -           | YES             | 3      | 13  | 1-5, 7-14                | 213825-4    |
| OBSOLETE | .557 | -           | NO              | 2      | 12  | 1, 2, 4, 5, 7-14         | 213825-3    |
| OBSOLETE | .220 | POSN 9      | YES             | 2      | 13  | 1-8, 10-14               | 1-213825-2  |
| OBSOLETE | .368 | -           | YES             | 2      | 13  | 1-5, 7-14                | 213825-1    |
| OBSOLETE | .220 | -           | YES             | 2      | 13  | 1-5, 7-14                | 1-213825-0  |
| OBSOLETE | .220 | -           | YES             | 2      | 11  | 1, 3, 4, 6, 8-14         | 213825-9    |
| OBSOLETE | .220 | POSN 9      | YES             | 2      | 13  | 1-8, 10-14               | 213825-5    |
| OBSOLETE | .368 | -           | YES             | 2      | 13  | 1-5, 7-14                | 213825-4    |
| OBSOLETE | .220 | -           | YES             | 2      | 13  | 1-5, 7-14                | 213825-3    |
| OBSOLETE | .220 | -           | YES             | 2      | 11  | 1, 3, 4, 6, 8-14         | 213825-2    |
| OBSOLETE | .220 | -           | YES             | 2      | 14  | ALL                      | 213825-1    |

THIS DRAWING IS A CONTROLLED DOCUMENT. DIMENSIONS: INCHES. TOLERANCES UNLESS OTHERWISE SPECIFIED: 0 PLC ±0, 1 PLC ±0, 2 PLC ±0, 3 PLC ±0.010, 4 PLC ±0, ANGLES ±0.

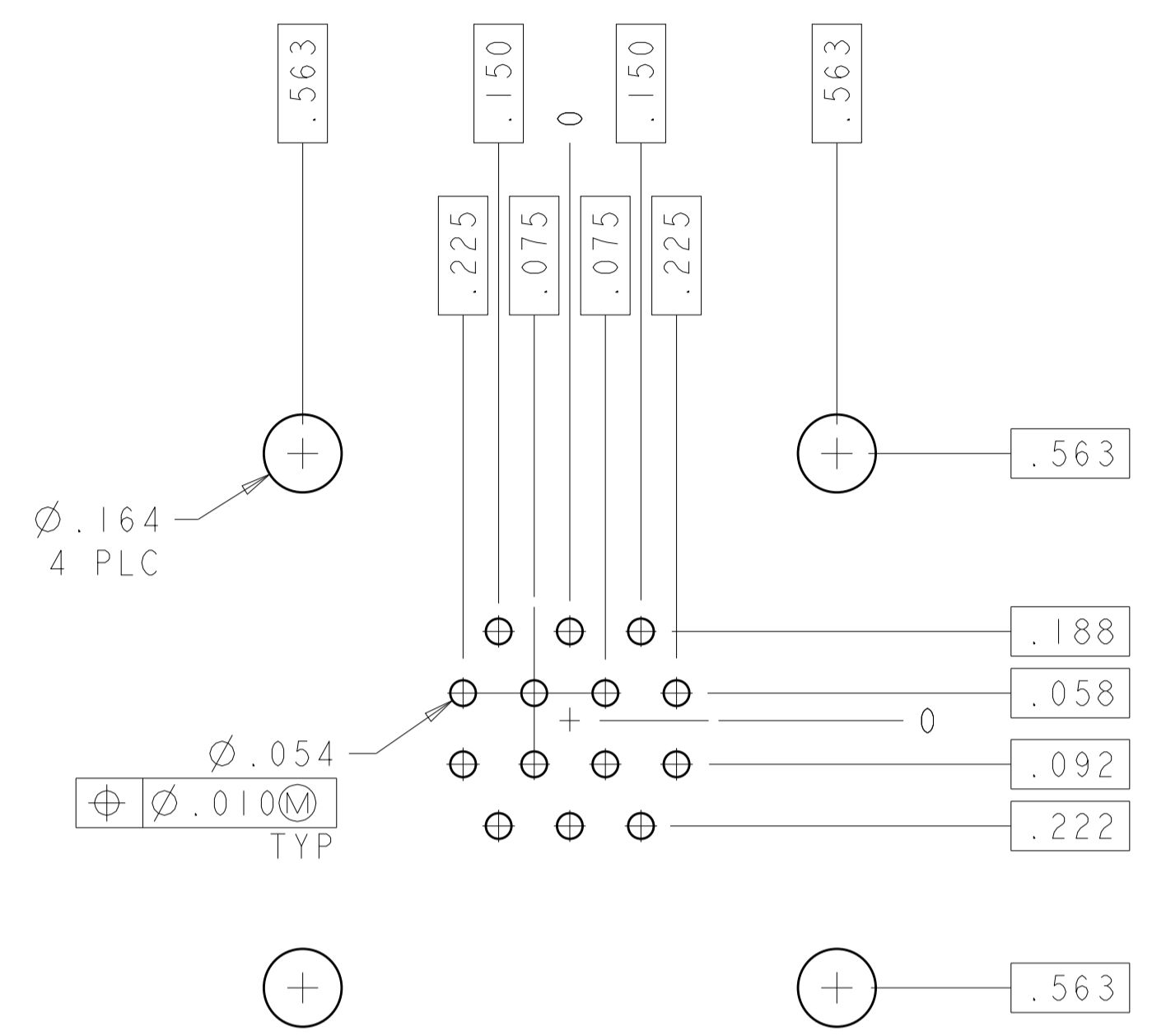
OWN: S. WELDON 23MAY2003  
 CH: S. HEADER 23MAY2003  
 APVD: S. HEADER 23MAY2003

NAME: RECEPTACLE ASSEMBLY, POSTED, SERIES 1, REVERSE SEX, CPC

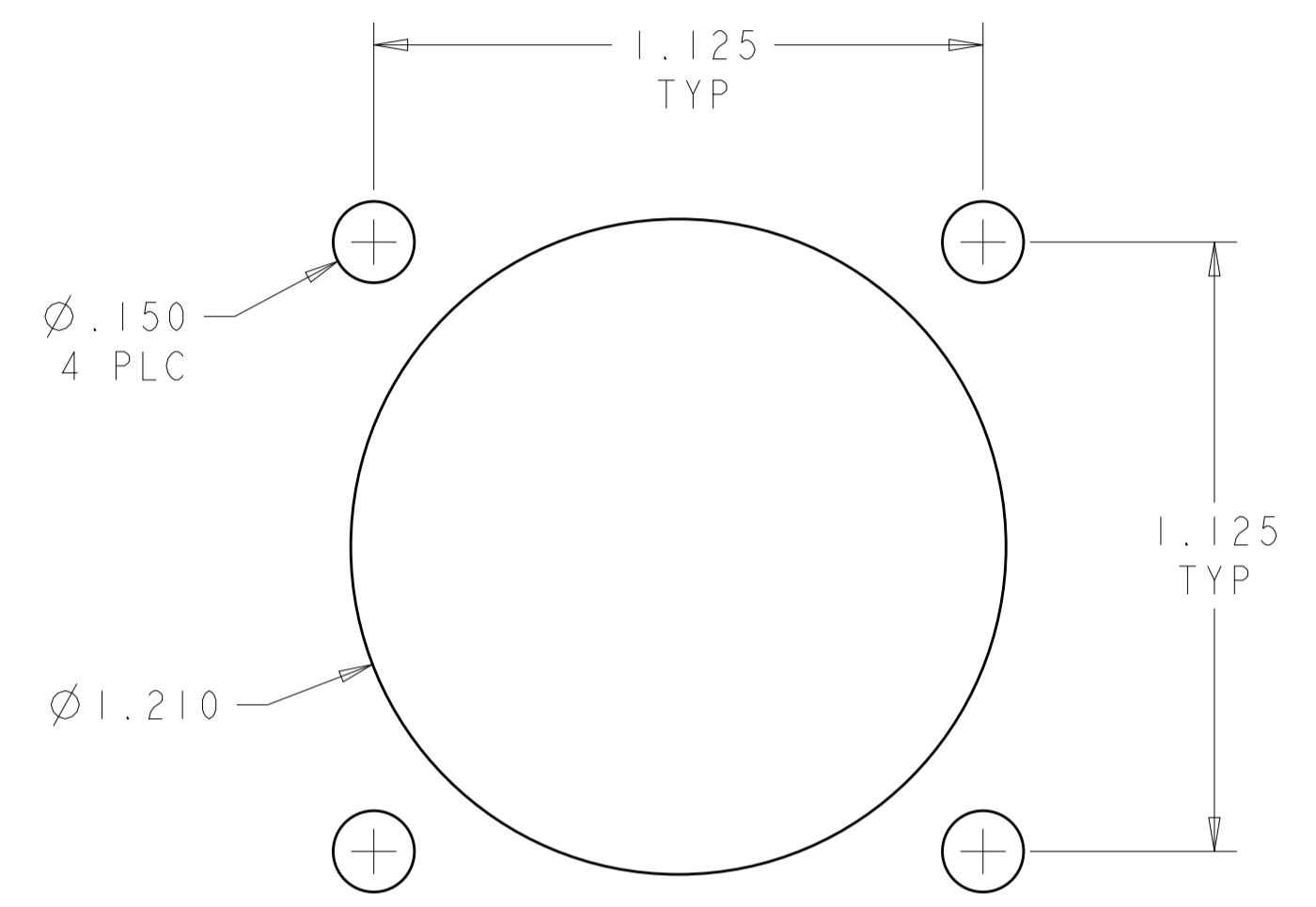
SIZE: A1 00779 C=213825  
 SCALE: 4:1 SHEET 1 OF 2 REV T

TE Connectivity

| REVISIONS |     |             |      |      |
|-----------|-----|-------------|------|------|
| P.        | LTN | DESCRIPTION | DATE | APVD |
| -         | -   | SEE SHEET 1 | -    | -    |
|           |     |             |      |      |
|           |     |             |      |      |



RECOMMENDED PC BOARD LAYOUT  
 SCALE 3:1



RECOMMENDED PANEL LAYOUT  
 .125 MAX PANEL THICKNESS  
 SCALE 3:1

|  |  |                                |  |
|--|--|--------------------------------|--|
| THIS DRAWING IS A CONTROLLED DOCUMENT.   |  | DWN<br>S. WELDON<br>23MAY2003  | TE Connectivity  |
| DIMENSIONS:<br>INCHES  |  | CHK<br>S. HEADER<br>23MAY2003  |  |
|  |  | APVD<br>S. HEADER<br>23MAY2003 | NAME<br>RECEPTACLE ASSEMBLY, POSTED,<br>SERIES 1, REVERSE SEX, CPC |
| DIMENSIONS:<br>0 PLC ±0<br>1 PLC ±0<br>2 PLC ±0<br>3 PLC ±0.010<br>4 PLC ±0<br>ANGLES ±0 |  | PRODUCT SPEC<br>-              | SIZE<br>A100779C=213825  |
| MATERIAL<br>-  |  | APPLICATION SPEC<br>-          | RESTRICTED TO<br>-   |
| FINISH<br>-  |  | WEIGHT<br>-                    | CUSTOMER DRAWING   |
|  |  | SCALE 4:1                      | SHEET 2 OF 2 REV T   |