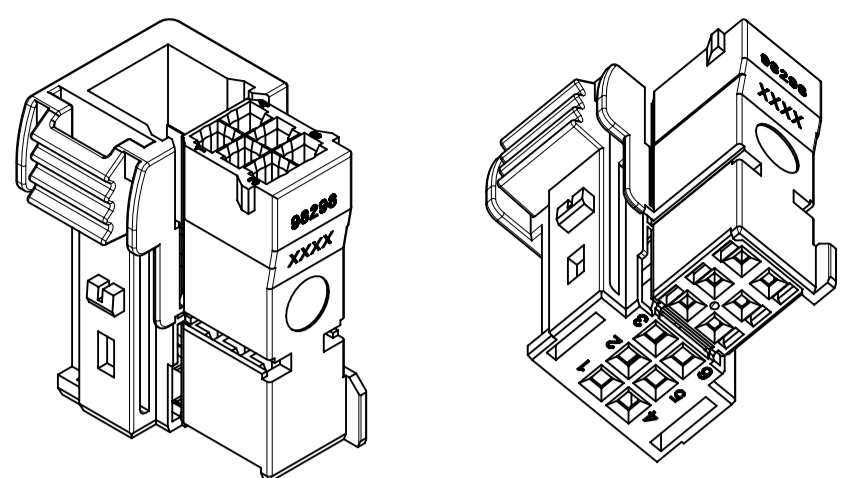
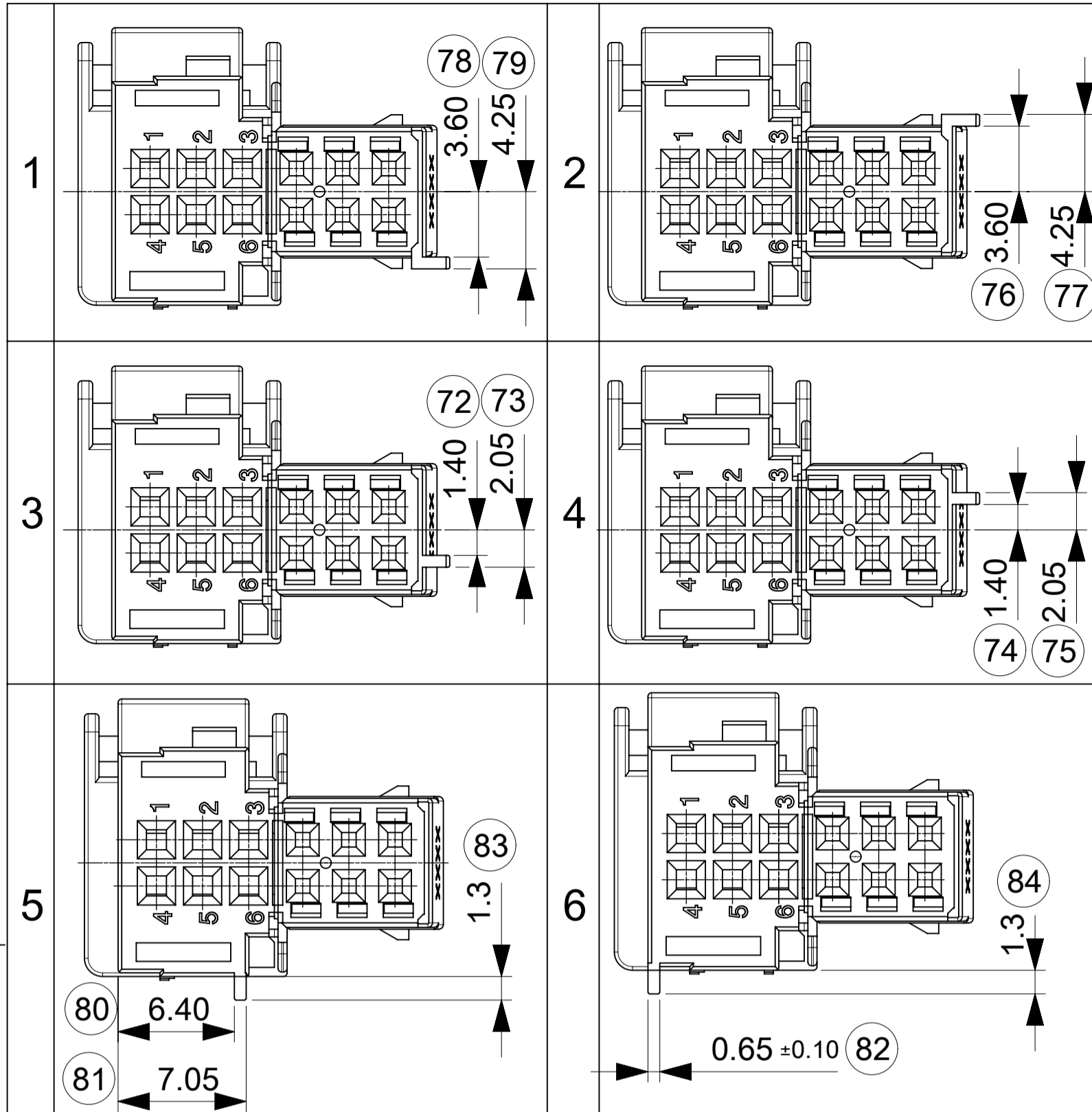
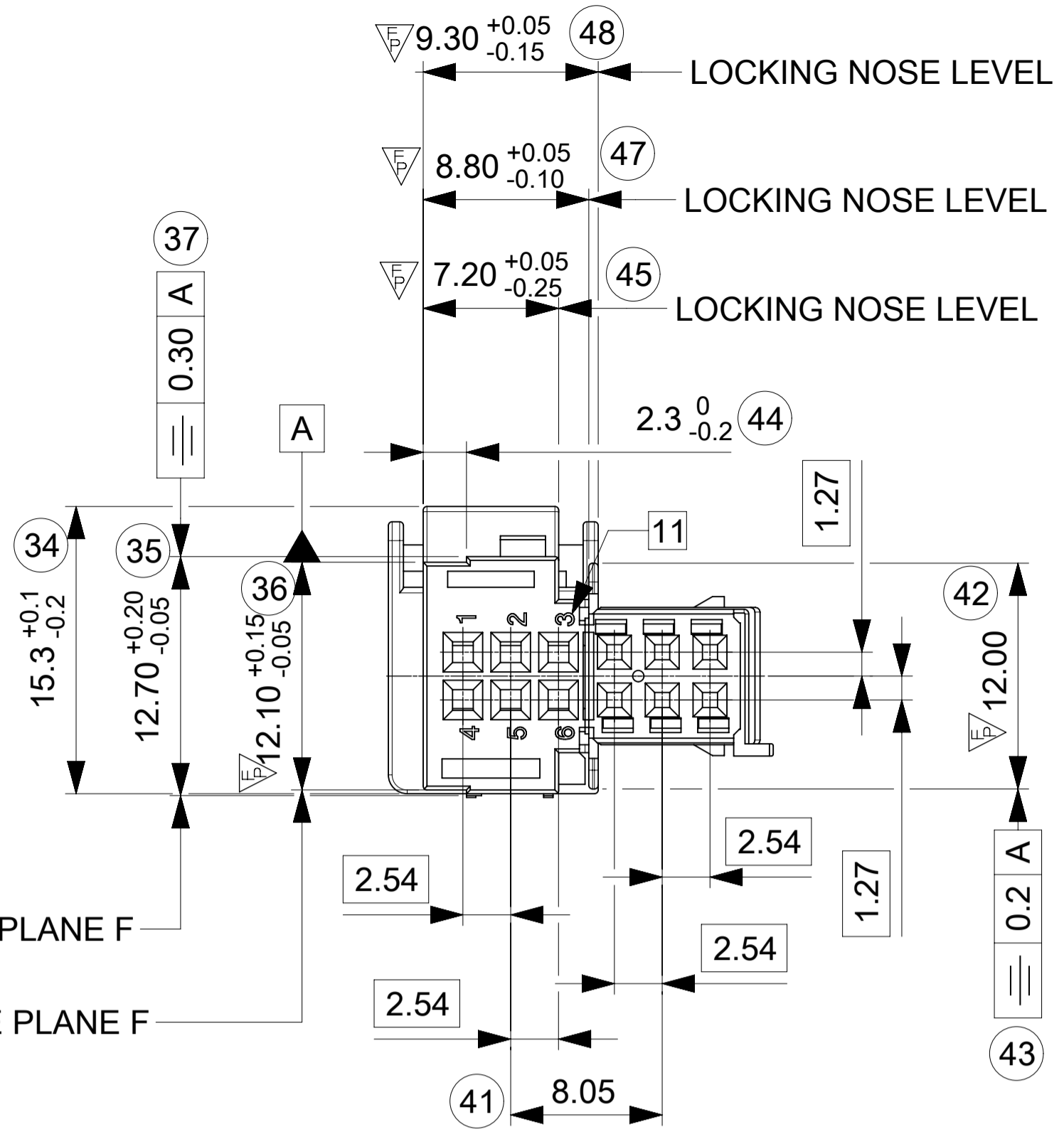
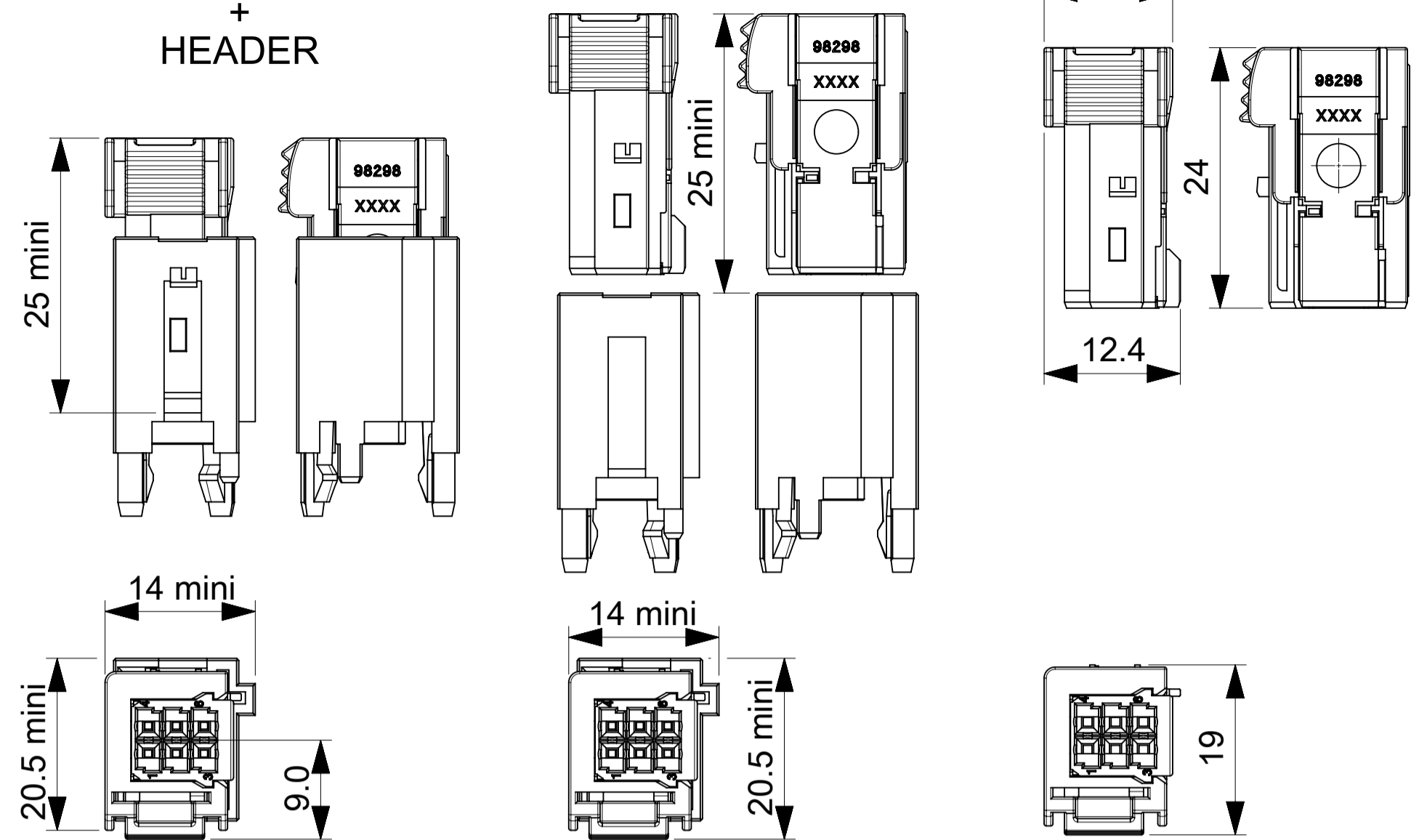


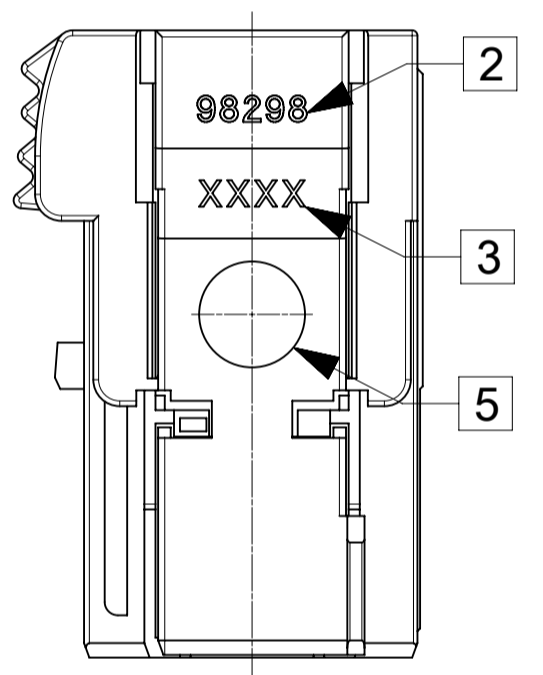
ISOMETRIC VIEWS



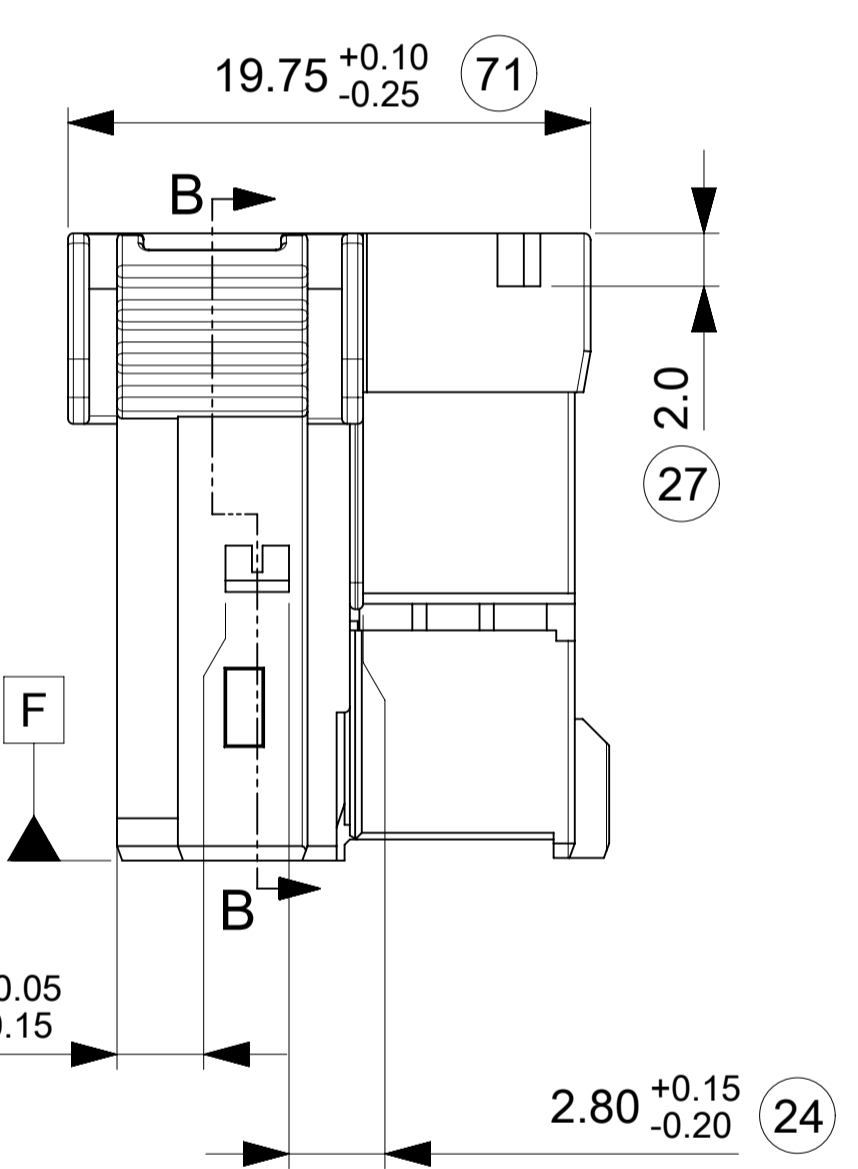
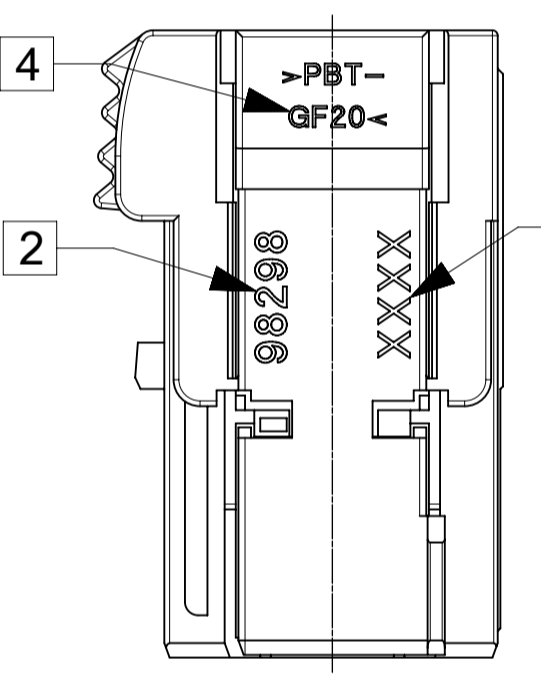
OVERALL DIMENSIONS  
2x3 WAY BREAKABLE  
+ HEADER



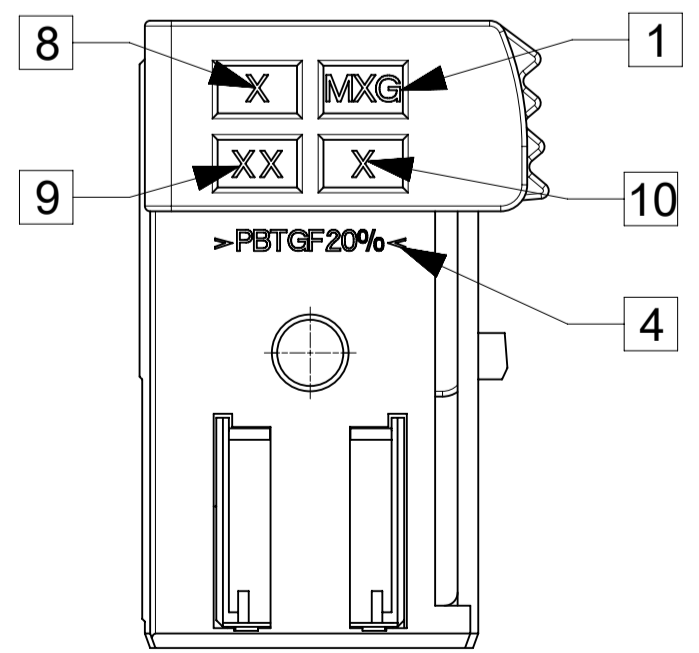
MOLD M1-M2  
WIRE VERSION



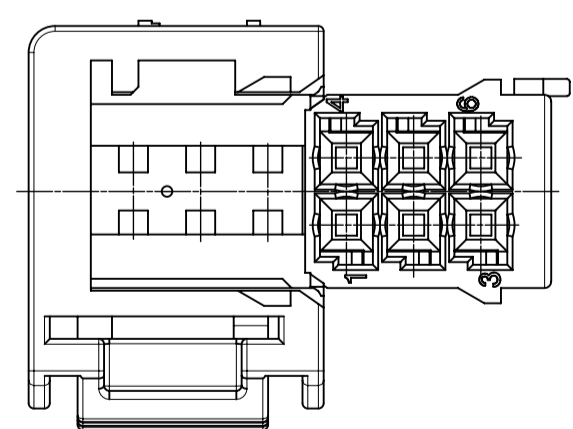
MOLD M3-M4  
WIRE VERSION



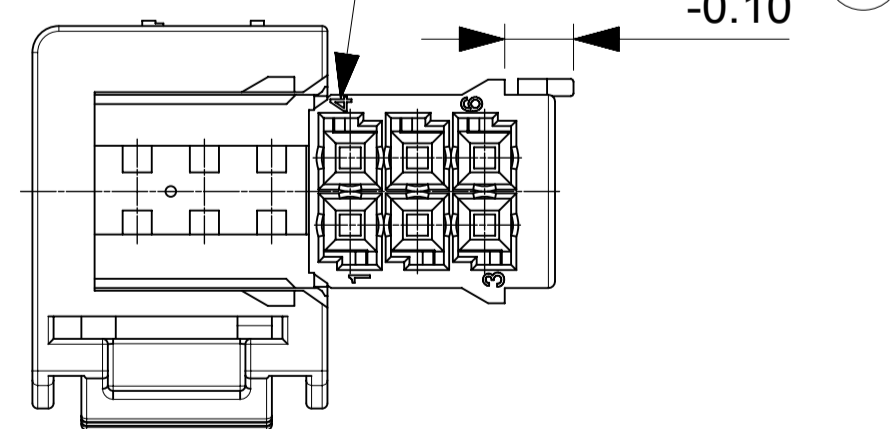
MOLD M1-M2  
WIRE VERSION



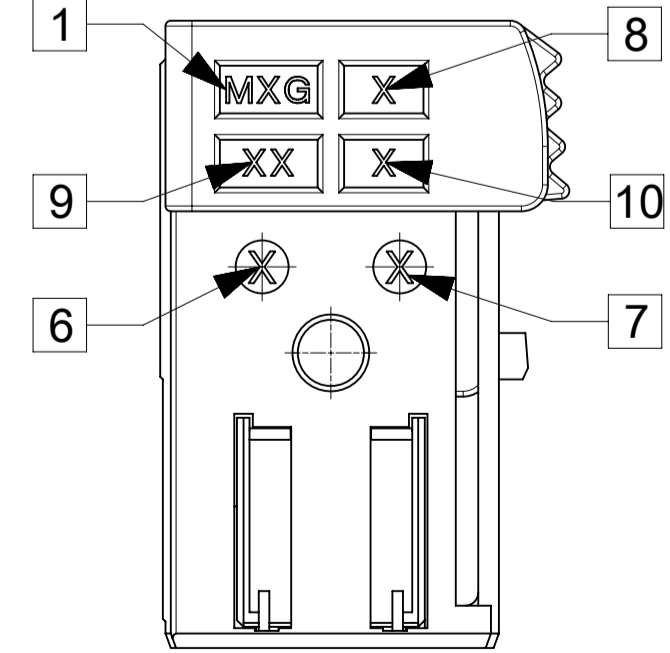
MOLD M3-M4  
WIRE VERSION



MOLD M1-M2  
WIRE VERSION



MOLD M3-M4  
WIRE VERSION



CODING	COLOR	DESCRIPTION	MATERIAL NUMBER
6	BLEU BLUE	BLUE HSG WIRE	0982980006
5	GRIS GREY	GREY HSG WIRE	0982980005
4	MARRON BROWN	BROWN HSG WIRE	0982980004
3	VERTE GREEN	GREEN HSG WIRE	0982980003
2	BLANCHE WHITE	WHITE HSG WIRE	0982980002
1	NOIRE BLACK	BLACK HSG WIRE	0982980001

NOTES:

- 1 \* Engineering control ID.
- 2 \* Serie number.
- 3 \* Part number.
- 4 \* Material marking.
- 5 \* Date indicator Year / Month.
- 6 \* Applied to the Mold M3-M4. Date indicator Year.
- 7 \* Applied to the mold M3-M4. Date indicator Month.
- 8 \* Mold cavity marking.
- 9 \* Mold revision level.
- 10 \* MOLEX note.
- 11 \* Cavity marking.

FUNCTIONAL SYMBOLS		THIS DRAWING CONTAINS INFORMATION THAT IS PROPRIETARY TO MOLEX ELECTRONIC TECHNOLOGIES, LLC AND SHOULD NOT BE USED WITHOUT WRITTEN PERMISSION		CURRENT REV DESC: SEE TABLE OF MODIFICATIONS	
$\frac{F}{A} = 0$	DIMENSION UNITS	SCALE			
$\frac{F}{C} = 0$	mm	3.5:1			
$\frac{F}{P} = 9$	GENERAL TOLERANCES (UNLESS SPECIFIED)				
		MM	INCH		
		4 PLACES ±	±		
		3 PLACES ±	±		
		2 PLACES ±	0.05		
		1 PLACE ±	0.1		
		0 PLACES ±	±		
		ANGULAR TOL	± 1.0°		
DIVISIONAL SYMBOLS		FIRST ANGLE PROJECTION			
		DRAWING SERIES			
		A1-SIZE	98298		
		MATERIAL NUMBER		CUSTOMER	
		SEE CHART		GENERAL MARKET	
		SHEET NUMBER		1 OF 2	



6 WAY MOX OR  
2X3 WAY BREAKABLE

PRODUCT CUSTOMER DRAWING

DOCUMENT NUMBER	DOC TYPE	DOC PART	REVISION
SD-98298-002	PSD	001	G1

G1	Remastered in ECTR marking ID 8, 9 and 10 corrected in view "MOLD M3-M4"	RMV02	See title block
G	Add view : mold M3-M4 (see D16)	PBO	09/10/23
F	<p>Addition of the Molds M3 and M4. Update breakable areas on M1-M2.</p> <p>Pos. 24: 2.80 +0.15/-0.20 was 2.80 +0.15/-0.05.          Pos. 28: 7.25 +0.05/-0.25 was 7.25 ±0.05.          Pos. 33: 7.35 ±0.10 was 7.35 ±0.05.          Pos. 34: 15.3 +0.1/-0.2 was 15.26 +0.10/-0.15.          Pos. 35: 12.70 +0.20/-0.05 was 12.70 ±0.05.          Pos. 36: 12.10 +0.15/-0.05 was 12.10 ±0.05.          Pos. 37: 0.30 was 0.10.          Pos. 45: 7.20 +0.05/-0.25 was 7.20 ±0.05.          Pos. 47: 8.80 +0.05/-0.10 was 8.80 ±0.05.          Pos. 48: 9.30 +0.05/-0.15 was 9.30 ±0.05.          Pos. 71: 19.75 +0.10/-0.25 was 19.75 ±0.10.          Pos. 82: 0.65 ±0.10 was 0.65 ±0.05.</p> <p>Added Locking nose level dim. Pos. 45-47-48.          Added At the reference plane F dim. Pos. 35-36.          Added To be measured on the close part dim. Pos. 28-33.          Added 10.15 Locking nose level. Added Datum line F.          Added pos. 84.          Added notes.</p>	PGR	07/05/03
E1	Dim rep43 becomes 2.30 0/-0.2mm, it was 2.10±0.05mm. Symetry dimension rep44 becomes 0.2mm, it was 0.1mm.	LST	05/10/03
E	<p>Update views.</p> <p>Pos23: 4.10 +0.05/-0.15 was 4.10 ±0.05.          Pos24: 2.80 +0.15/-0.05 was 2.80 ±0.05.          Pos34: 15.26 +0.10/-0.15 was 15.26±0.10.</p>	PGR	05/06/17
D	Update views	MRI	04/10/11
C	Addition coding 5 and 6	MRI	03/12/16
B	Update coding	PGR	02/07/24
A	Preliminary issue for customer	PPO	02/06/28
REV	DESCRIPTION	NAME	DATE
<b>MODIFICATION</b>			

FUNCTIONAL SYMBOLS	THIS DRAWING CONTAINS INFORMATION THAT IS PROPRIETARY TO MOLEX ELECTRONIC TECHNOLOGIES, LLC AND SHOULD NOT BE USED WITHOUT WRITTEN PERMISSION													
	FA= 0	DIMENSION UNITS	SCALE	CURRENT REV DESC: SEE TABLE OF MODIFICATIONS							<b>molex</b>			
FC= 0	mm	1:1	GENERAL TOLERANCES (UNLESS SPECIFIED)							6 WAY MOX OR 2X3 WAY BREAKABLE				
FP= 0												MM		INCH
DIVISIONAL SYMBOLS	4 PLACES ±	±	INITIAL REVISION: DRWN: YPUTTUR CHK'D: OPLESSIS APPR: FPAROLARI 2021/11/08							DOCUMENT NUMBER		DOC TYPE	DOC PART	REVISION
	3 PLACES ±	±								SD-98298-002		PSD	001	G1
	2 PLACES ±	0.05 ±								2001/08/16				
	1 PLACE ±	0.1 ±								2001/08/22				
	0 PLACES ±	±								2001/08/22				
ANGULAR TOL ± 1.0 °			DRAFT WHERE APPLICABLE MUST REMAIN WITHIN DIMENSIONS		FIRST ANGLE PROJECTION		DRAWING	SERIES	MATERIAL NUMBER	CUSTOMER	SHEET NUMBER			
					A1-SIZE		98298	SEE CHART	GENERAL MARKET	2 OF 2				

