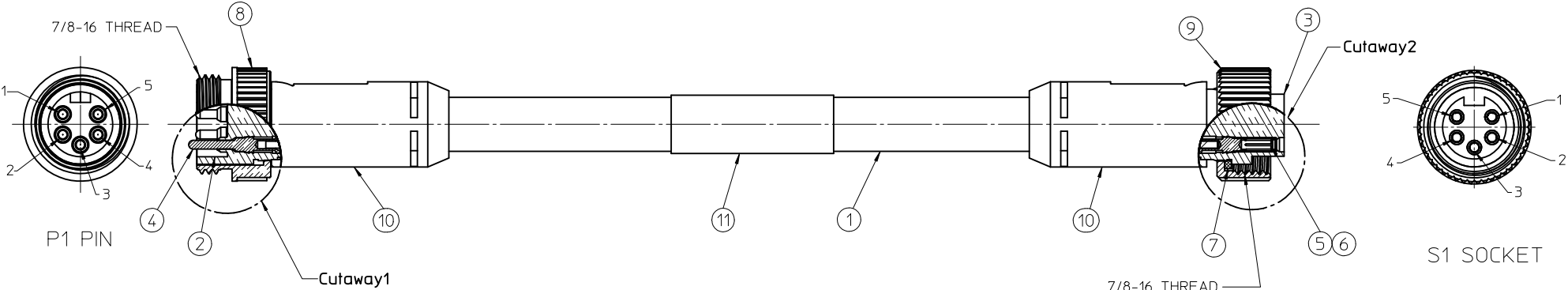
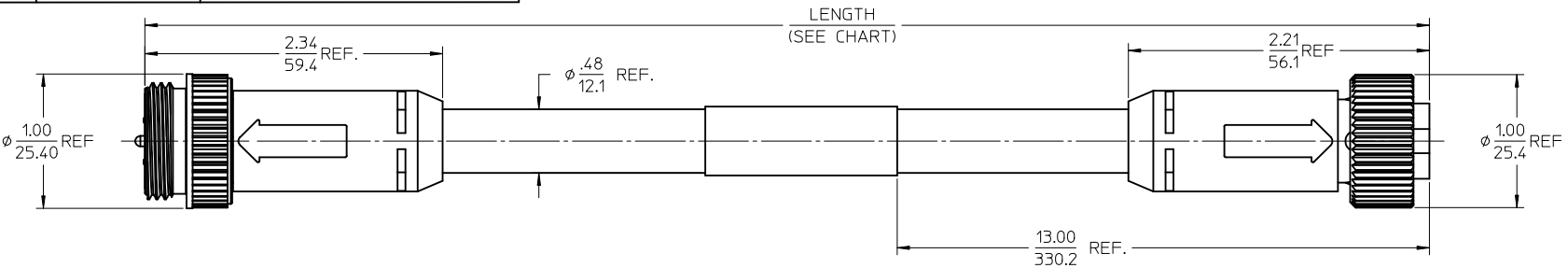
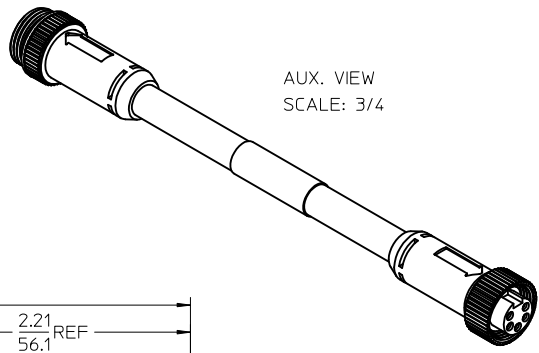


PART NUMBER	ENGINEERING NO.	LENGTH
848561200	84856-1200	.5M +44.5mm -0 [1.64' + 1.75' -0]
848561201	84856-1201	1M +55.6mm -0 [3.28' +2.19' -0]
848561202	84856-1202	2M +88.9mm -0 [6.56' +3.50' -0]
848561203	84856-1203	3M +88.9mm -0 [9.84' +3.50' -0]
848561204	84856-1204	4M +165.1mm -0 [13.12' +6.50' -0]
848561205	84856-1205	5M +165.1mm -0 [16.40' +6.50' -0]
848561206	84856-1206	6M +165.1mm -0 [19.69' +6.50' -0]
848561207	84856-1207	7M +165.1mm -0 [22.97' +6.50' -0]
848561208	84856-1208	8M +317.5mm -0 [26.25' +12.50' -0]
848561209	84856-1209	9M +317.5mm -0 [29.53' +12.50' -0]
848561210	84856-1210	10M +317.5mm -0 [32.81' +12.50' -0]



- NOTES:
1. MATERIAL: SEE TABLE
 2. FINISHES: SEE TABLE
 3. CABLE ASSEMBLIES ARE BAGGED SEPARATELY IN POLY BAGS WITH BARCODE LABEL ATTACHED TO OUTSIDE OF BAG
 4. WRAP LABEL IS MARKED WITH P/N, DATE CODE VOLTAGE & AMPERAGE
 5. MATES WITH: MINI CHANGE, A-SIZE 5 POLE
 6. ELECTRICAL SPECIFICATIONS:
VOLTAGE RATING: 300V
CURRENT RATING: 4 AMPS
 7. ASSEMBLY IS RoHS COMPLIANT

P1		S2	
1	DRAIN	1	
2	RED	2	
3	BLACK	3	
4	WHITE	4	
5	BLUE	5	

WIRING DIAGRAM

ITEM	QTY.	DESCRIPTION	MATERIAL	FINISH
11	1	LABEL	PLASTIC FILM	BLACK/YELLOW
10	2	OVERMOLD	PVC	GRAY
9	1	COUPLING NUT, FEMALE THREAD	BRASS	NICKEL PLATED
8	1	COUPLING NUT, MALE THREAD	BRASS	NICKEL PLATED
7	1	FRICTION RING	NYLON	WHITE
6	5	CONTACT SOCKET	BRASS	GOLD PLATED
5	5	SOCKET SLEEVE	ST. STEEL	
4	5	CONTACT PIN	BRASS	GOLD PLATED
3	1	INSERT, FEMALE, 5 POLE	PVC	GRAY
2	1	INSERT, MALE, 5 POLE	PVC	GRAY
1	1	CABLE - THICK-STD. DEV-NET. TRUNK, 15/18	PVC JACKET	GRAY

RELEASED EC NO: MNA2010-0686 DRWN:WOODMAN 2010/05/13 CHKD:VOU 2010/05/14 APPR:JFMURPHY 2010/05/19	QUALITY SYMBOLS ▽=0 ▽=0	GENERAL TOLERANCES (UNLESS SPECIFIED)		DIMENSION STYLE IN/MM		SCALE 1.5:1	DESIGN UNITS INCH	THIRD ANGLE PROJECTION													
		<table border="1"> <thead> <tr><th>mm</th><th>INCH</th></tr> </thead> <tbody> <tr><td>4 PLACES ± ---</td><td>± ---</td></tr> <tr><td>3 PLACES ± ---</td><td>± ---</td></tr> <tr><td>2 PLACES ± ---</td><td>± .01</td></tr> <tr><td>1 PLACE ± 0.3</td><td>± ---</td></tr> </tbody> </table>		mm	INCH	4 PLACES ± ---	± ---	3 PLACES ± ---	± ---	2 PLACES ± ---	± .01	1 PLACE ± 0.3	± ---	DRAWN BY R.STONE 2010/01/06		DATE 2010/01/06		MINI-CHANGE 5 POLE M/F, DEVICE NET, TRUNK			
		mm	INCH																		
		4 PLACES ± ---	± ---																		
3 PLACES ± ---	± ---																				
2 PLACES ± ---	± .01																				
1 PLACE ± 0.3	± ---																				
ANGULAR ±1/2°		CHECKED BY B.WOODMAN 2010/01/15		DATE 2010/01/15																	
DRAFT WHERE APPLICABLE MUST REMAIN WITHIN DIMENSIONS		SEE CHART		APPROVED BY JFMURPHY 2010/01/22		DATE 2010/01/22		MOLEX INCORPORATED													
MATERIAL NO.		DOCUMENT NO.		SHEET NO.		SD-84856-007															