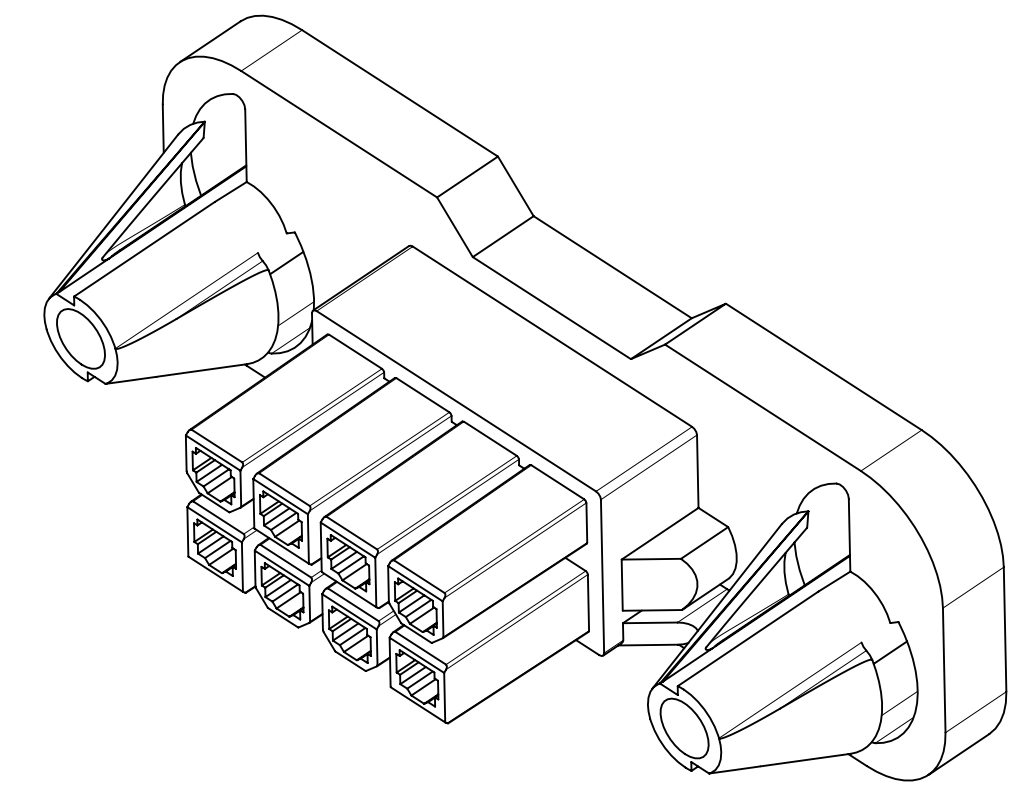
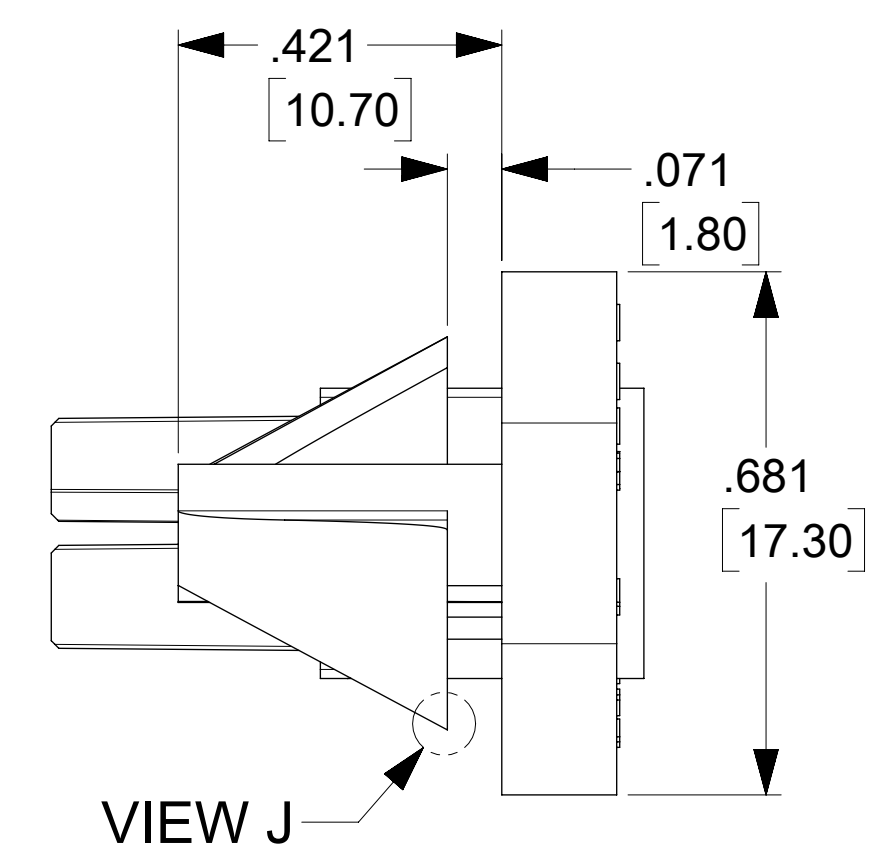
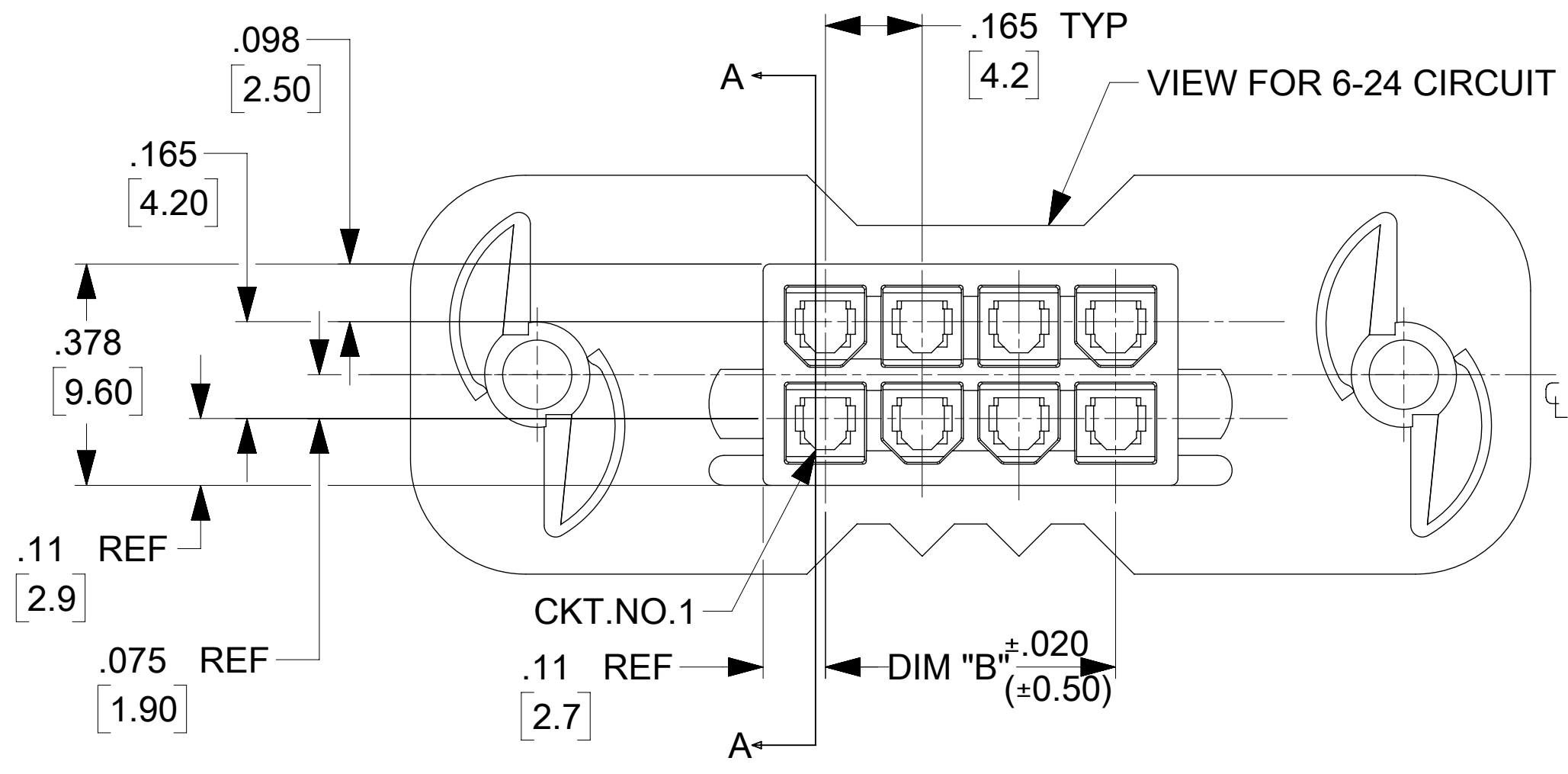
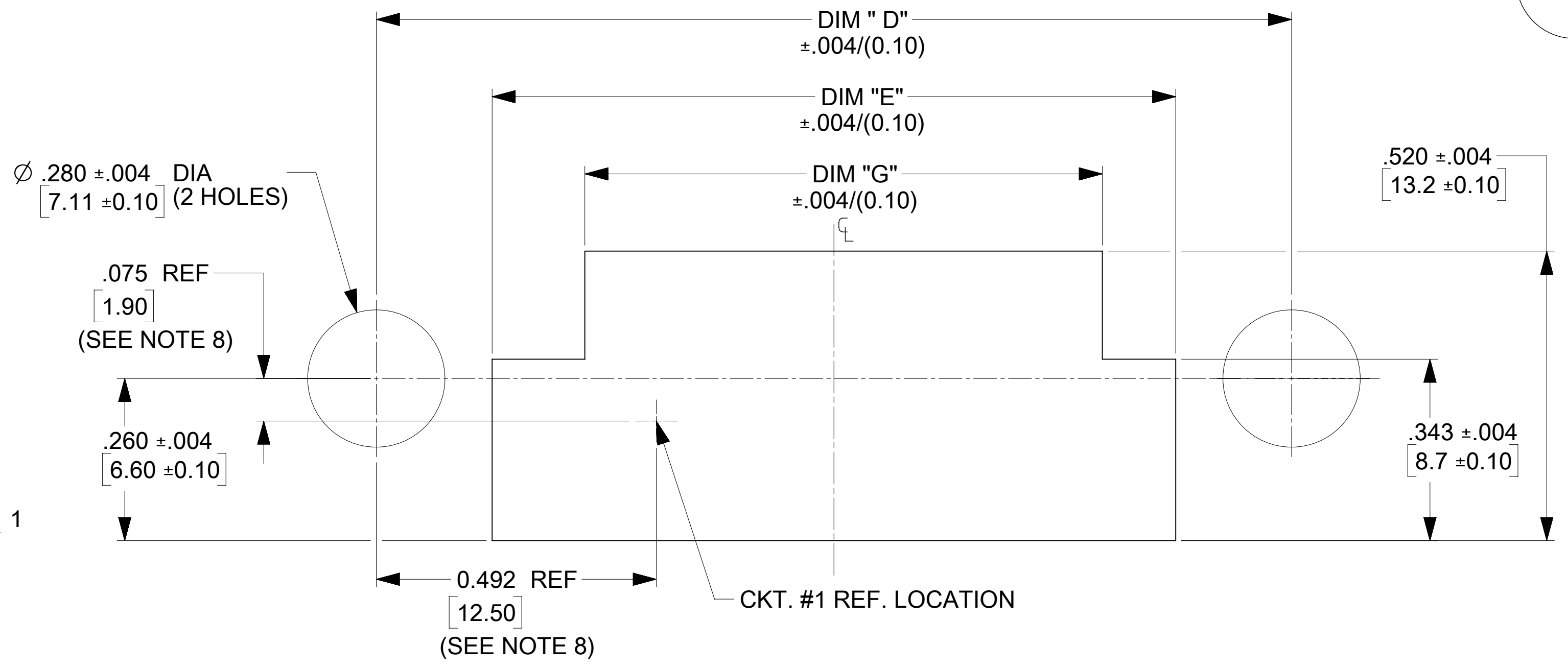
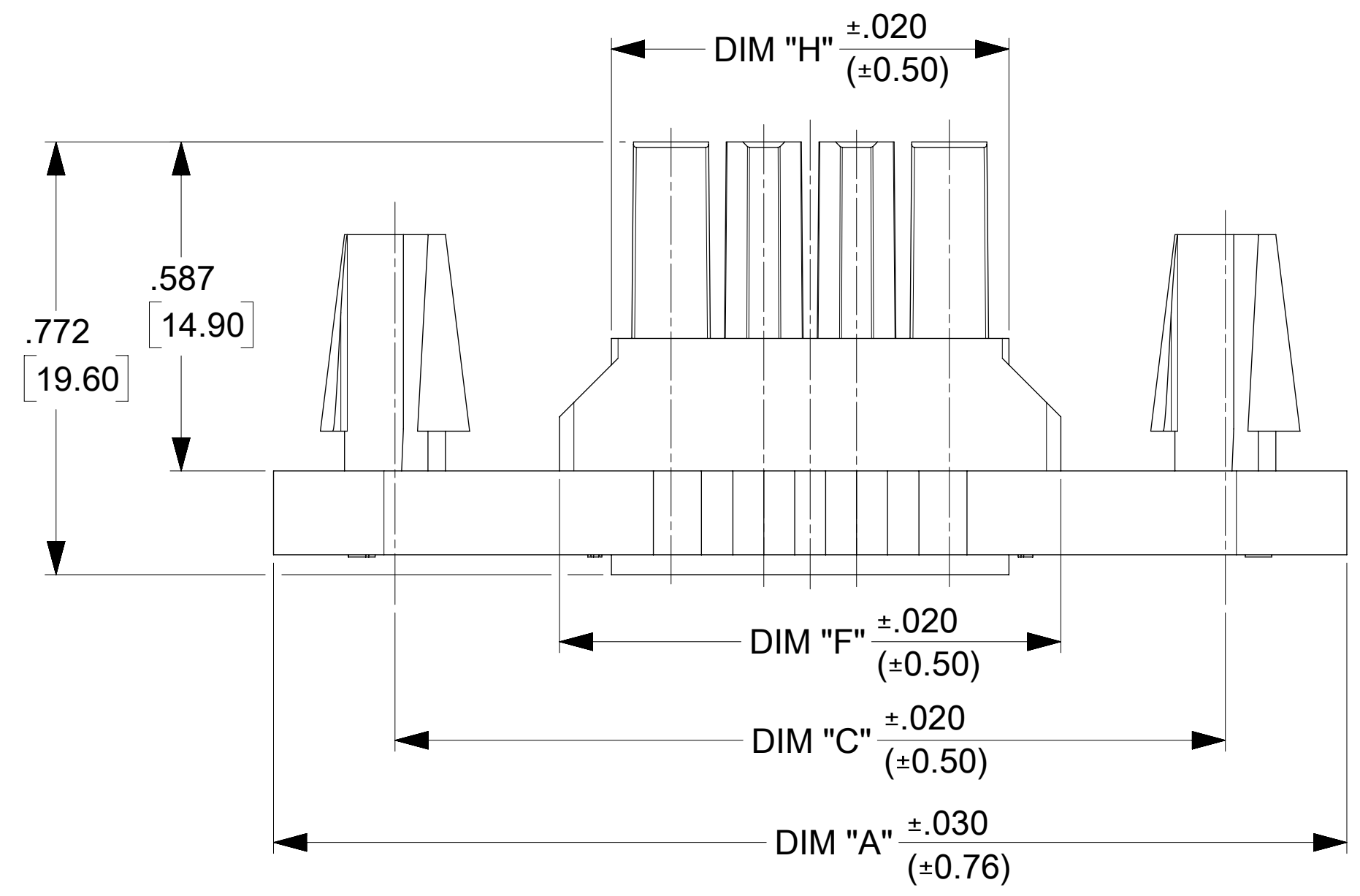
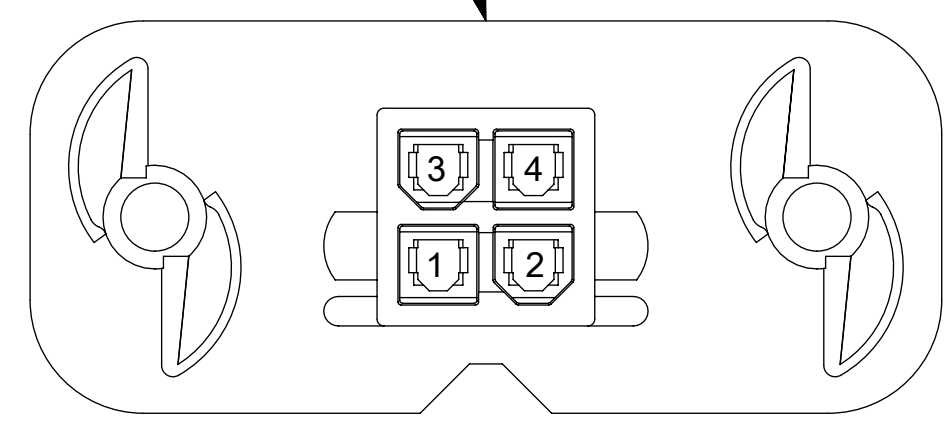


SECTION "A-A"
TERMINAL ORIENTATION



VIEW FOR 2 AND 4 CIRCUIT
NOTCH REMOVED



LEGEND:

42474 - * * * 1

BASE NUMBER

CIRCUIT SIZE (02-24)

MATERIAL (SEE NOTE 1)

- NOTES:
- MATERIAL:
 "1" = NYLON 6/6, UNFILLED 94V-2, COLOR: NATURAL (WHITE)
 "2" = NYLON 6/6, UNFILLED 94V-0, COLOR: NATURAL (WHITE)
 "3" = NYLON 6/6, UNFILLED 94V-2, COLOR: BLACK
 "4" = NYLON 6/6, UNFILLED 94V-0, COLOR: BLACK
 "7" = NYLON 6/6, UNFILLED 94V-0, GLOW WIRE, COLOR: BLACK
 - FINISH: NOT APPLICABLE
 - PRODUCT SPECIFICATIONS: PS-5556-002
 - PACKAGING: PK-42474-001.
 - PART MATES WITH MINI-FIT B.M.I PLUG #42475, AND HEADERS 42404, 42440, 43810, 44068 & 43879.
 - PART TO BE USED WITH MOLEX FEMALE TERMINAL #5556.
 - THIS CONNECTOR ALLOWS FOR 050/(1.27) MAX. MISALIGNMENT IN ANY DIRECTION.
 - THIS DIMENSION TO BE USED FOR ALIGNMENT OF THE MATING CONNECTOR.
 - CONNECTOR ASSEMBLIES ARE NOT TO BE MATED OR UNMATED WHILE CIRCUITS ARE LIVE.
 - THIS PART IS INTENDED FOR ONE PANEL INSERTION ONLY. REMOVAL AND RE-INSERTION CAN DAMAGE THE MOUNTING SPIRALS.
 - PANEL SHOULD BE PUNCHED IN THE DIRECTION OF CONNECTOR INSERTION.
 - BOTH SPIRALS SHOULD BE INSERTED INTO THE PANEL AT THE SAME TIME. ROCKING THE PART INTO PLACE MAY CAUSE SPIRAL DAMAGE.
 - THIS PART IS NOT INTENDED TO PROVIDE ANY ALIGNMENT OF CUSTOMER COMPONENTS OR MODULES, SUCH AS POWER SUPPLIES AND CHASSIS.
 - IF THIS PRODUCT IS STORED IN AN ENVIRONMENT WITH A RELATIVE HUMIDITY OF LESS THAN 50%, MOISTURE MUST BE ADDED.
REFER TO TECHNICAL ADVISORY AS-45499-001 FOR INSTRUCTIONS.
 - A MAXIMUM TOLERANCE OF $.050 / (1.27)$ ALLOWS FOR 2 POINTS OF ELECTRICAL CONTACT. A MAXIMUM TOLERANCE OF $.020 / (.51)$ ALLOWS FOR 4 POINTS OF CONTACT.
 - WIRES ARE TO BE DRESSED IN SUCH A MANNER TO ALLOW THE TERMINALS TO FLOAT FREELY IN THE POCKET.
 - PART CONFORMS TO CLASS "B" REQUIREMENTS OF COSMETIC SPECIFICATION PS-45499-002.

| CKT SIZE | DIM "A" | DIM "B" | DIM "C" | DIM "D" | DIM "E" | DIM "F" | DIM "G" | DIM "H" |
|----------|---------------|---------------|---------------|---------------|---------------|---------------|---------------|---------------|
| 2 | 1.417 (36.00) | N/A | .984 (25.00) | .984 (25.00) | .528 (13.40) | .398 (10.10) | .343 (8.70) | .213 (5.40) |
| 4 | 1.583 (40.20) | .165 (4.20) | 1.150 (29.20) | 1.150 (29.20) | .693 (17.60) | .563 (14.30) | .508 (12.90) | .378 (9.60) |
| 6 | 1.748 (44.40) | .331 (8.40) | 1.315 (33.40) | 1.315 (33.40) | .858 (21.80) | .728 (18.50) | .673 (17.10) | .543 (13.80) |
| 8 | 1.913 (48.60) | .496 (12.60) | 1.480 (37.60) | 1.480 (37.60) | 1.024 (26.00) | .894 (22.70) | .839 (21.30) | .709 (18.00) |
| 10 | 2.078 (52.80) | .661 (16.80) | 1.645 (41.80) | 1.645 (41.80) | 1.189 (30.20) | 1.059 (26.90) | 1.004 (25.50) | .874 (22.20) |
| 12 | 2.244 (57.00) | .827 (21.00) | 1.811 (46.00) | 1.811 (46.00) | 1.354 (34.40) | 1.224 (31.10) | 1.169 (29.70) | 1.039 (26.40) |
| 14 | 2.409 (61.20) | .992 (25.20) | 1.976 (50.20) | 1.976 (50.20) | 1.520 (38.60) | 1.390 (35.30) | 1.335 (33.90) | 1.205 (30.60) |
| 16 | 2.575 (65.40) | 1.157 (29.40) | 2.172 (54.40) | 2.172 (54.40) | 1.685 (42.80) | 1.555 (39.50) | 1.500 (38.10) | 1.370 (34.80) |
| 18 | 2.740 (69.60) | 1.323 (33.60) | 2.307 (58.60) | 2.307 (58.60) | 1.850 (47.00) | 1.720 (43.70) | 1.665 (42.30) | 1.535 (39.00) |
| 20 | 2.906 (73.80) | 1.488 (37.80) | 2.472 (62.80) | 2.472 (62.80) | 2.016 (51.20) | 1.886 (47.90) | 1.831 (46.50) | 1.701 (43.20) |
| 22 | 3.071 (78.00) | 1.653 (42.00) | 2.638 (67.00) | 2.638 (67.00) | 2.181 (55.40) | 2.051 (52.10) | 1.996 (50.70) | 1.866 (47.40) |
| 24 | 3.236 (82.20) | 1.819 (46.20) | 2.803 (71.20) | 2.803 (71.20) | 2.346 (59.60) | 2.217 (56.30) | 2.161 (54.90) | 2.031 (51.60) |

| | | | | | |
|---|---|------------------------|-------------------|-----------------|--|
| FUNCTIONAL SYMBOLS $\nabla_A = 0$ $\nabla_C = 0$ $\nabla_P = 0$ DIVISIONAL SYMBOLS 4 PLACES \pm \pm 3 PLACES \pm ± 0.015 2 PLACES ± 0.38 \pm 1 PLACE \pm \pm 0 PLACES \pm \pm ANGULAR TOL $\pm 0.5^\circ$ | THIS DRAWING CONTAINS INFORMATION THAT IS PROPRIETARY TO MOLEX ELECTRONIC TECHNOLOGIES, LLC AND SHOULD NOT BE USED WITHOUT WRITTEN PERMISSION | | CURRENT REV DESC: | | <p>PANEL-MOUNT RECEPTACLE BLIND MATE MINI-FIT JR. SERIES</p> <p>PRODUCT CUSTOMER DRAWING</p> |
| | DIMENSION UNITS | SCALE | EC NO: 688090 | | |
| | mm | 1:1 | DRWN: HPAN18 | 2021/12/08 | |
| | GENERAL TOLERANCES (UNLESS SPECIFIED) | | CHK'D: XQZHANG | 2021/12/28 | |
| DRAWING | | APPR: XQZHANG | 2021/12/28 | DOCUMENT NUMBER | |
| DRAFT WHERE APPLICABLE MUST REMAIN WITHIN DIMENSIONS | | THIRD ANGLE PROJECTION | INITIAL REVISION: | DRWN: GEP | 1989/08/24 |
| | | | APPR: RAS | 1987/08/24 | SD-42474-XXXX |
| | | D-SIZE | SERIES | MATERIAL NUMBER | CUSTOMER |
| | | | 42474 | SEE SHEET 2 | GENERAL MARKET |
| | | | | DOC TYPE | DOC PART |
| | | | | PSD | 001 |
| | | | | REVISION | P14 |
| | | | | SHEET NUMBER | |
| | | | | 1 OF 2 | |

| PART NUMBER | ENG. NUMBER | CKT. SIZE | MATERIAL (SEE NOTE 1) |
|-------------|-------------|-----------|-----------------------|
| NOT TOLLED | 42474-0211 | 2 | 94V-2 |
| 15-06-0040 | 42474-0411 | 4 | 94V-2 |
| 15-06-0060 | 42474-0611 | 6 | 94V-2 |
| 15-06-0080 | 42474-0811 | 8 | 94V-2 |
| 15-06-0100 | 42474-1011 | 10 | 94V-2 |
| NOT TOLLED | 42474-1211 | 12 | 94V-2 |
| 15-06-0140 | 42474-1411 | 14 | 94V-2 |
| NOT TOLLED | 42474-1611 | 16 | 94V-2 |
| 15-06-0180 | 42474-1811 | 18 | 94V-2 |
| NOT TOLLED | 42774-2011 | 20 | 94V-2 |
| NOT TOLLED | 42474-2211 | 22 | 94V-2 |
| 15-06-0240 | 42474-2411 | 24 | 94V-2 |

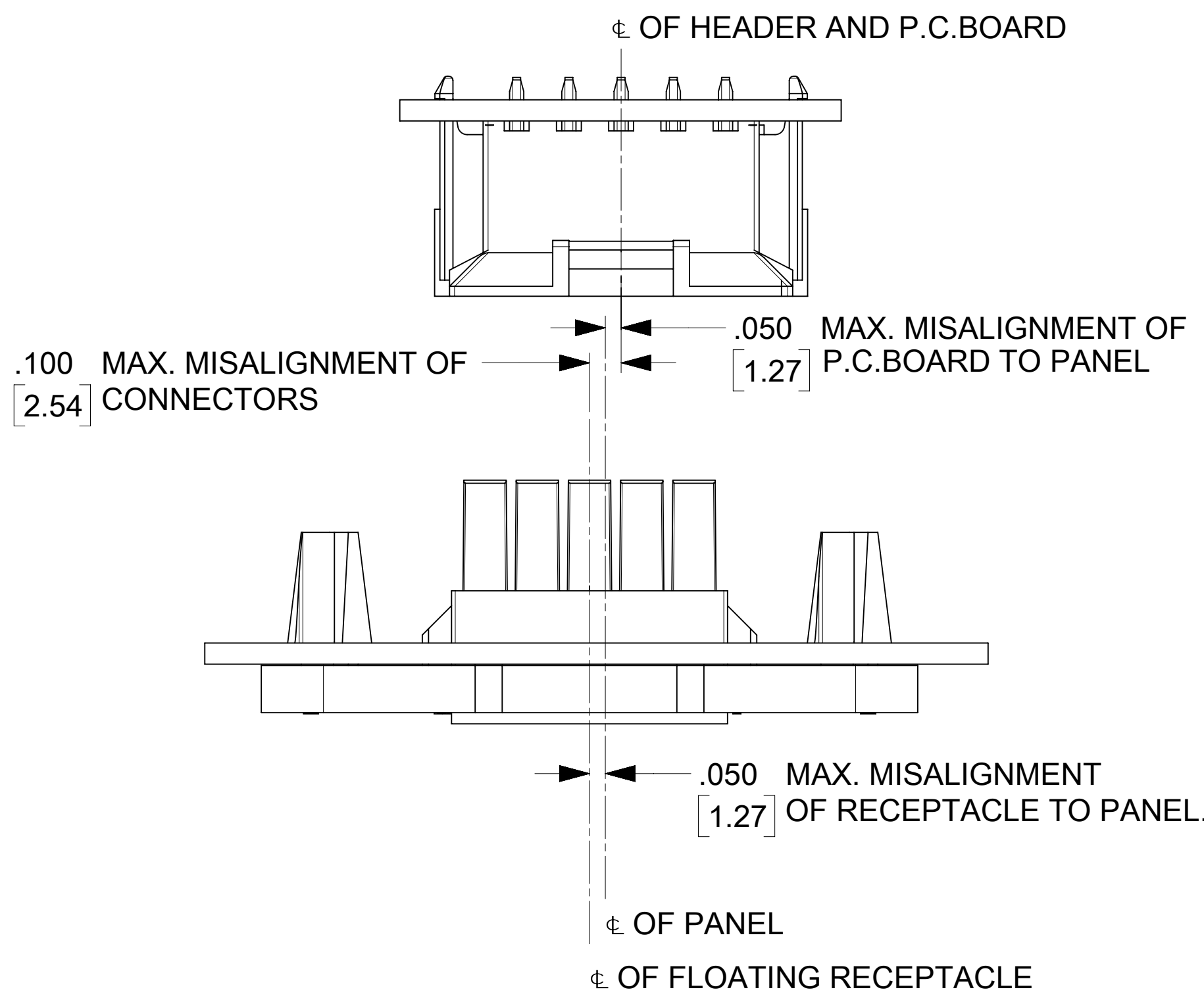
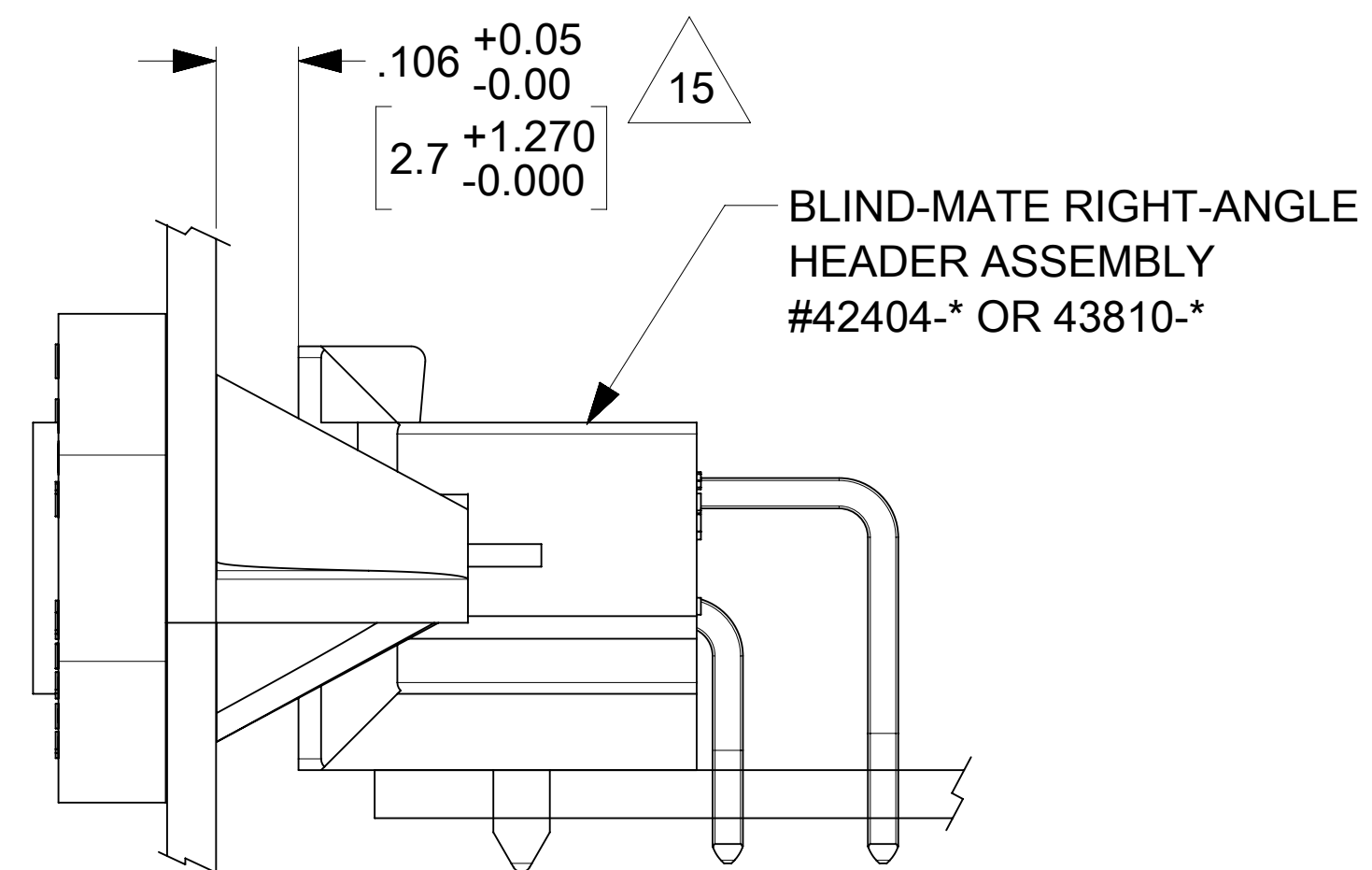
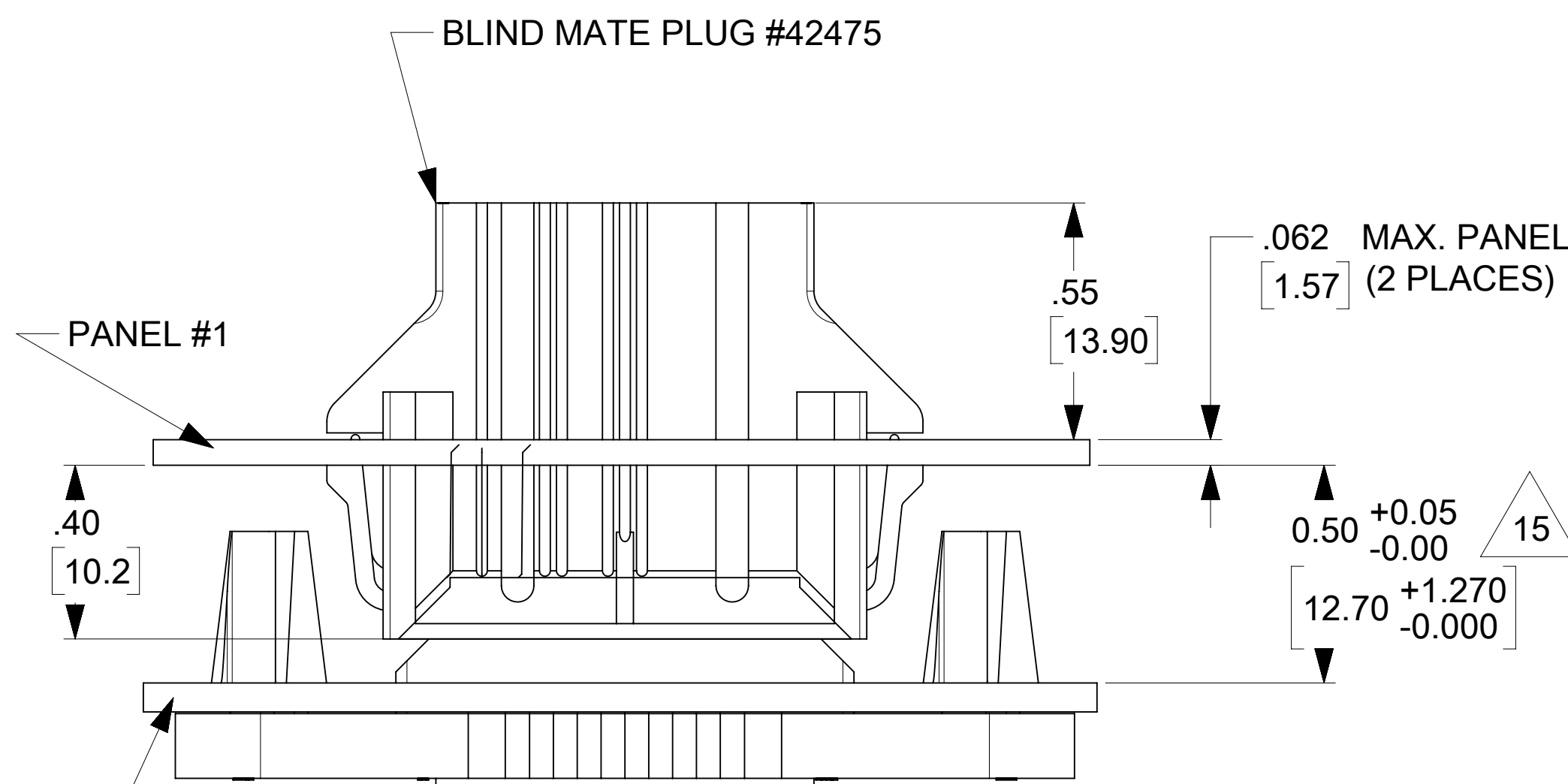
| PART NUMBER | ENG. NUMBER | CKT. SIZE | MATERIAL (SEE NOTE 1) |
|-------------|-------------|-----------|-----------------------|
| NOT TOLLED | 42474-0221 | 2 | 94V-0 |
| 15-06-0041 | 42474-0421 | 4 | 94V-0 |
| 15-06-0061 | 42474-0621 | 6 | 94V-0 |
| 15-06-0081 | 42474-0821 | 8 | 94V-0 |
| 15-06-0101 | 42474-1021 | 10 | 94V-0 |
| NOT TOLLED | 42474-1221 | 12 | 94V-0 |
| 15-06-0141 | 42474-1421 | 14 | 94V-0 |
| NOT TOLLED | 42474-1621 | 16 | 94V-0 |
| 15-06-0181 | 42474-1821 | 18 | 94V-0 |
| NOT TOLLED | 42774-2021 | 20 | 94V-0 |
| NOT TOLLED | 42474-2221 | 22 | 94V-0 |
| 15-06-0241 | 42474-2421 | 24 | 94V-0 |

| ITEM NUMBER | CKT. SIZE | MATERIAL (SEE NOTE 1) |
|-------------|-----------|-----------------------|
| NOT TOLLED | 2 | 94V-2 |
| 42474-0431 | 4 | 94V-2 |
| 42474-0631 | 6 | 94V-2 |
| 42474-0831 | 8 | 94V-2 |
| 42474-1031 | 10 | 94V-2 |
| NOT TOLLED | 12 | 94V-2 |
| 42474-1431 | 14 | 94V-2 |
| NOT TOLLED | 16 | 94V-2 |
| 42474-1831 | 18 | 94V-2 |
| NOT TOLLED | 20 | 94V-2 |
| NOT TOLLED | 22 | 94V-2 |
| 42474-2431 | 24 | 94V-2 |

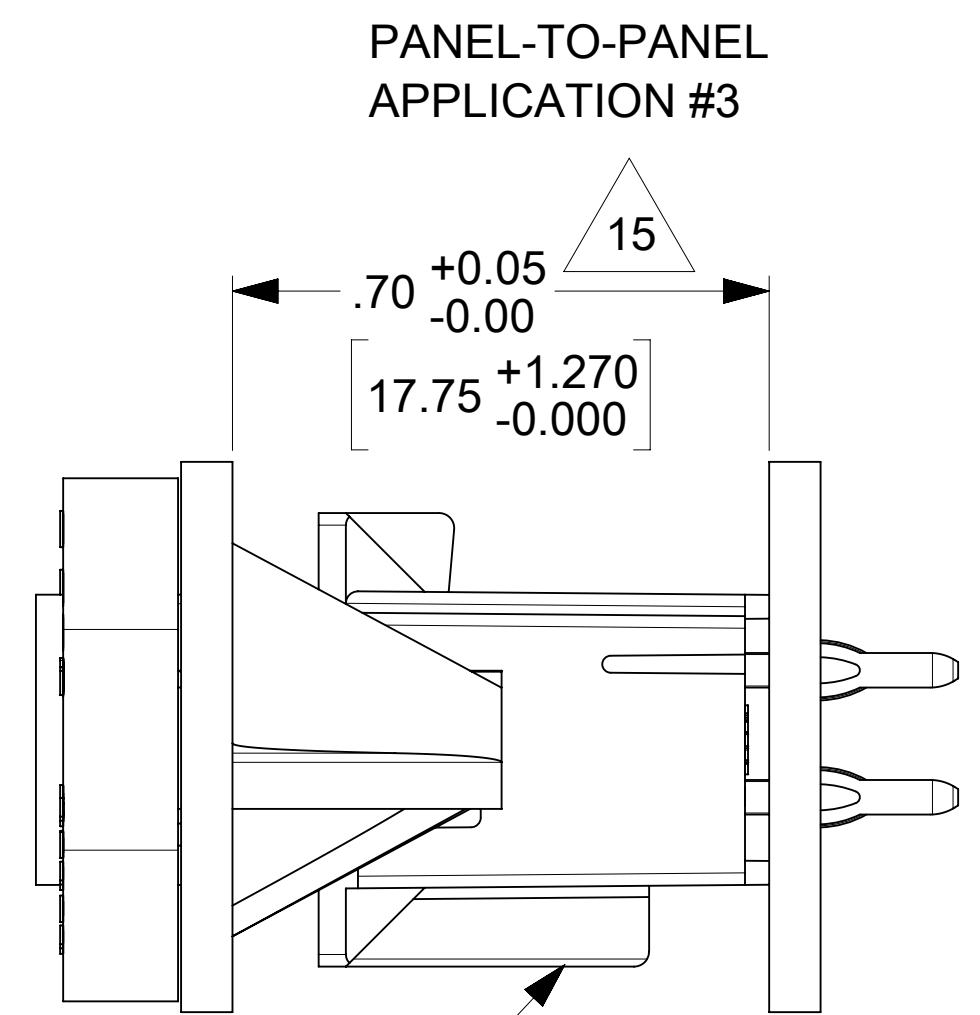
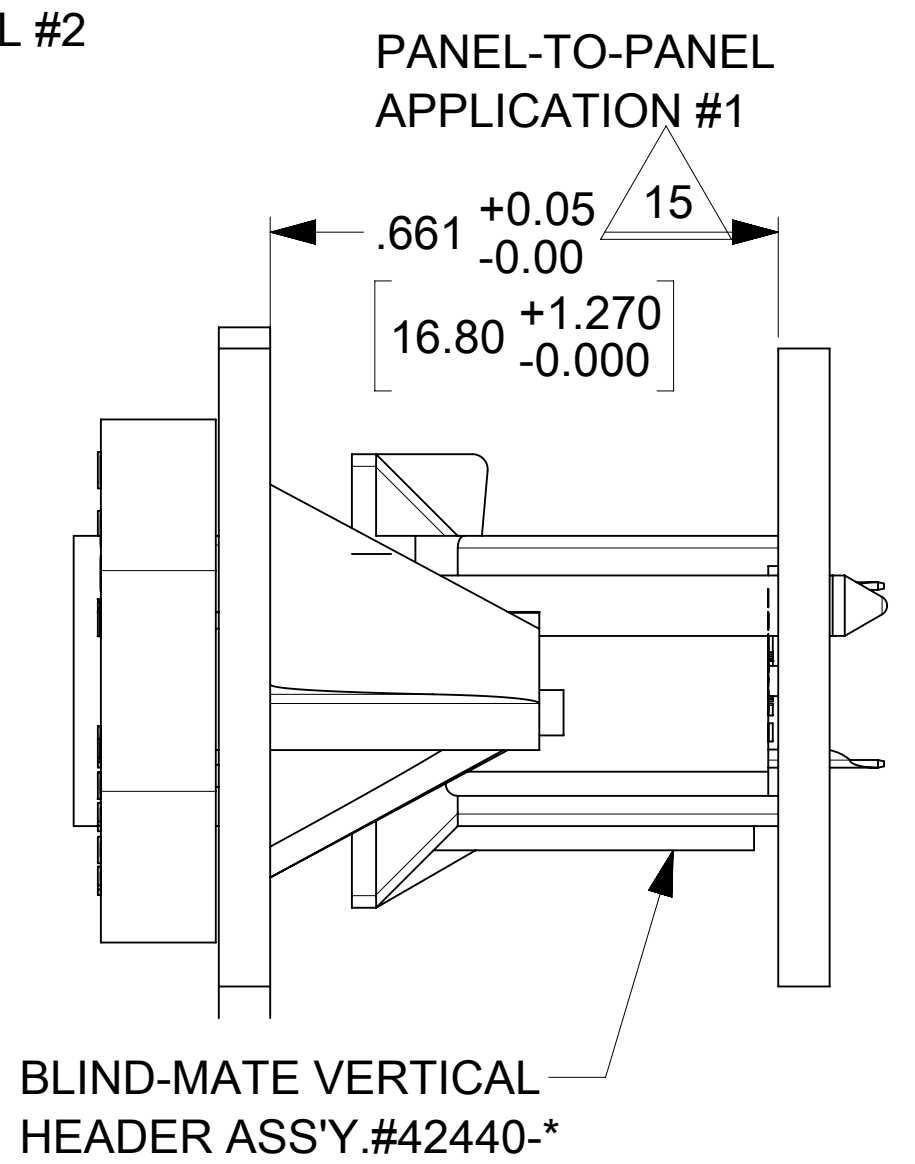
| ITEM NUMBER | CKT. SIZE | MATERIAL (SEE NOTE 1) |
|-------------|-----------|-----------------------|
| NOT TOLLED | 2 | 94V-0 |
| 42474-0441 | 4 | 94V-0 |
| 42474-0641 | 6 | 94V-0 |
| 42474-0841 | 8 | 94V-0 |
| 42474-1041 | 10 | 94V-0 |
| NOT TOLLED | 12 | 94V-0 |
| 42474-1441 | 14 | 94V-0 |
| NOT TOLLED | 16 | 94V-0 |
| 42474-1841 | 18 | 94V-0 |
| NOT TOLLED | 20 | 94V-0 |
| NOT TOLLED | 22 | 94V-0 |
| 42474-2441 | 24 | 94V-0 |

| ITEM NUMBER | CKT. SIZE | MATERIAL (SEE NOTE 1) GLOW WIRE |
|-------------|-----------|---------------------------------|
| NOT TOLLED | 2 | 94V-0,GLOW WIRE |
| NOT TOLLED | 4 | 94V-0,GLOW WIRE |
| NOT TOLLED | 6 | 94V-0,GLOW WIRE |
| NOT TOLLED | 8 | 94V-0,GLOW WIRE |
| NOT TOLLED | 10 | 94V-0,GLOW WIRE |
| NOT TOLLED | 12 | 94V-0,GLOW WIRE |
| NOT TOLLED | 14 | 94V-0,GLOW WIRE |
| NOT TOLLED | 16 | 94V-0,GLOW WIRE |
| NOT TOLLED | 18 | 94V-0,GLOW WIRE |
| NOT TOLLED | 20 | 94V-0,GLOW WIRE |
| NOT TOLLED | 22 | 94V-0,GLOW WIRE |
| NOT TOLLED | 24 | 94V-0,GLOW WIRE |

P13



ALIGNMENT TOLERANCES FOR .050/1.27 MAX. BOARD-TO-PANEL MISALIGNMENT (+/- .050/1.27 RECEPTACLE FLOAT)



| | | | |
|--|---|------------------------|-------------------|
| FUNCTIONAL SYMBOLS FA = 0 FC = 0 FP = 0 | THIS DRAWING CONTAINS INFORMATION THAT IS PROPRIETARY TO MOLEX ELECTRONIC TECHNOLOGIES, LLC AND SHOULD NOT BE USED WITHOUT WRITTEN PERMISSION | | |
| | DIMENSION UNITS | SCALE | CURRENT REV DESC: |
| | mm | 1:1 | |
| | GENERAL TOLERANCES (UNLESS SPECIFIED) | | |
| DIVISIONAL SYMBOLS | | MM | INCH |
| | 4 PLACES | ± | ± |
| | 3 PLACES | ± | ± 0.015 |
| | 2 PLACES | ± | ± 0.38 |
| | 1 PLACE | ± | ± |
| | 0 PLACES | ± | ± |
| | ANGULAR TOL | ± 0.5° | |
| DRAFT WHERE APPLICABLE MUST REMAIN WITHIN DIMENSIONS | | THIRD ANGLE PROJECTION | DRAWING |
| | | | D-SIZE |
| | | SERIES | 42474 |
| | | MATERIAL NUMBER | SEE SHEET 2 |
| | | CUSTOMER | GENERAL MARKET |
| | | SHEET NUMBER | 2 OF 2 |

| | | | | | |
|-----------------|--|----|--------------|------------|----------|
| DOCUMENT STATUS | | P1 | RELEASE DATE | 2021/12/28 | 01:32:51 |
|-----------------|--|----|--------------|------------|----------|

| | | |
|---------------|-------------------|------------|
| EC NO: 688090 | | 2021/12/08 |
| DRWN: HPAN18 | CHK'D: XQZHANG | 2021/12/28 |
| APPR: XQZHANG | INITIAL REVISION: | 2021/12/28 |
| DRWN: GEP | 1989/08/24 | |
| APPR: RAS | 1987/08/24 | |

| | | | | |
|-----------------|--|----------|----------|----------|
| DOCUMENT NUMBER | | DOC TYPE | DOC PART | REVISION |
| SD-42474-XXXX | | PSD | 001 | P14 |

molex

PANEL-MOUNT RECEPTACLE
BLIND MATE MINI-FIT JR. SERIES

PRODUCT CUSTOMER DRAWING