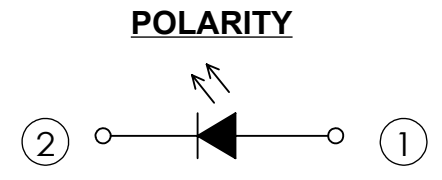
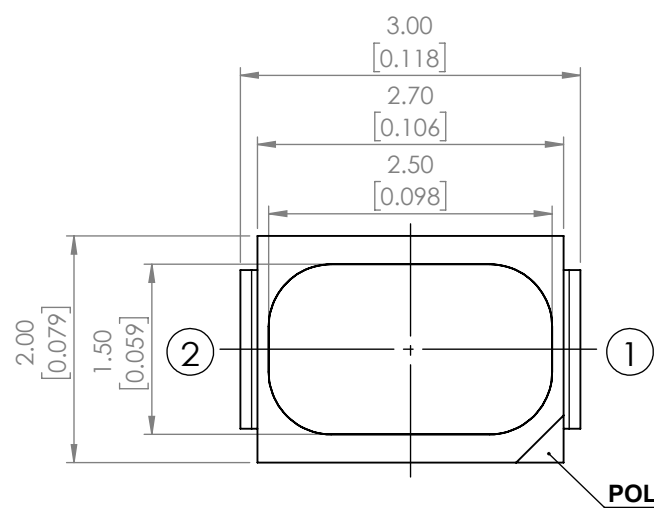
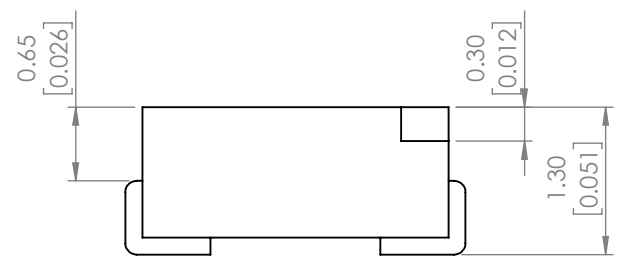


<b>PART NUMBER</b>		SML-LX23SRC-TR	<b>REV</b>	H
<b>REV</b>	<b>E.C.N. NUMBER AND REVISION COMMENTS</b>		<b>DATE</b>	
A	E.C.N. #10BRDR, ADDED REFLOW PROFILE		02.05.99	
B	E.C.N. #10543.		08.09.99	
C	E.C.N. #10644.&REDRAWN IN 3D		07.18.00	
D	E.C.N. #10967.		03.14.03	
E	E.C.N. #11148.		02.08.05	
F	E.C.N. #11603.		12.15.09	
G	E.C.N. #10BRDR & REDRAWN.		03.28.11	
H	ECN-Lumex201700111		11.10.17	

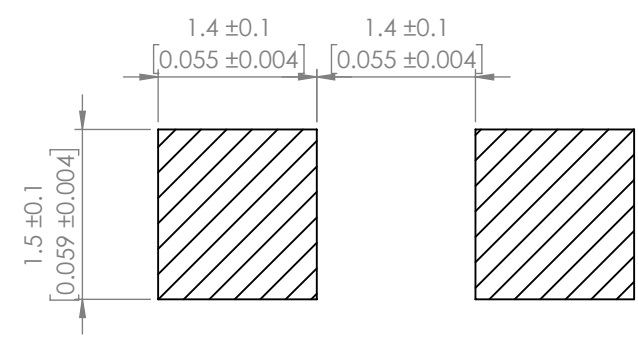
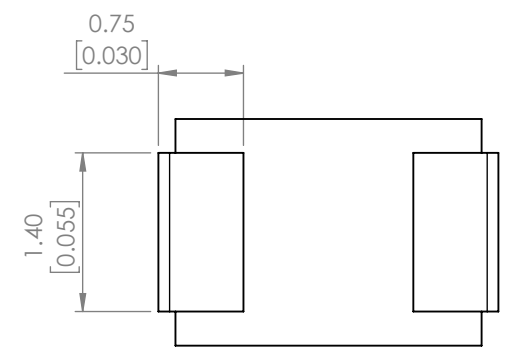


**ELECTRO-OPTICAL CHARACTERISTIC TA=25°C**

PARAMETER	MIN	TYP	MAX	UNITS	TEST COND
PEAK WAVELENGTH	-	655	-	nm	If=20mA
FORWARD VOLTAGE	-	1.8	2.5	Vf	If=20mA
REVERSE CURRENT	-	-	10	uA	VR=5V
LUMINOUS INTENSITY	20	40	-	mcd	If=20mA
VIEWING ANGLE	-	120	-	2x theta <sub>1/2</sub>	-
EMITTED COLOR	RED				
EPOXY LENS FINISH	WATER CLEAR				



**RECOMMENDED SOLDER PAD LAYOUT**



**ABSOLUTE MAXIMUM RATINGS TA=25°C**

PARAMETER	MAX	UNITS
PEAK FORWARD CURRENT*	155	mA
FORWARD CURRENT	30	mA
REVERSE VOLTAGE	5	V
POWER DISSIPATION	75	mW
STORAGE TEMPERATURE	-40 TO +85	°C
OPERATING TEMPERATURE	-40 TO +85	°C

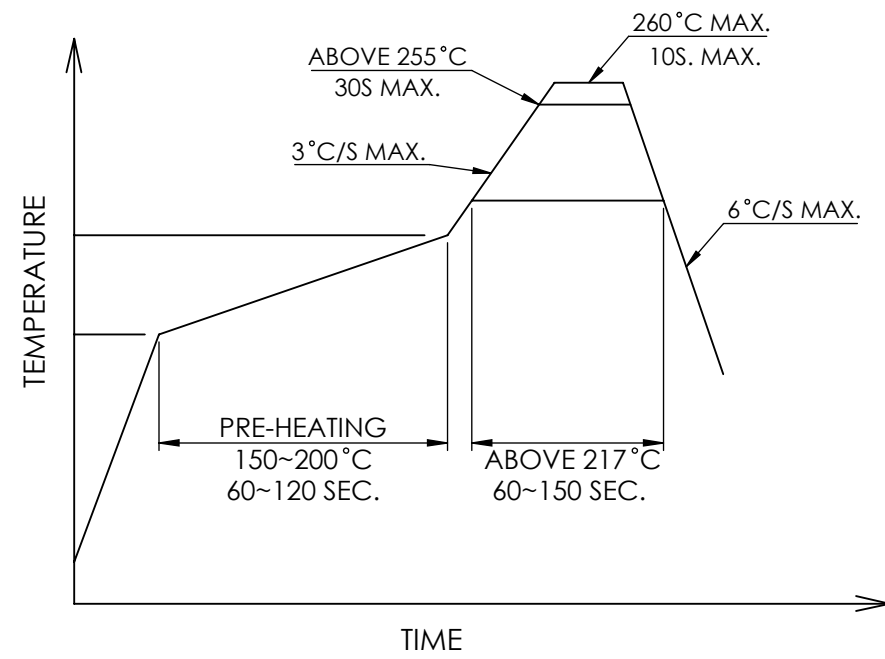
\*Duty 1/10 @1KHz

**NOTE:**  
 1. RoHS COMPLIANT.  
 2. PACKAGE : 2000PCS/REEL

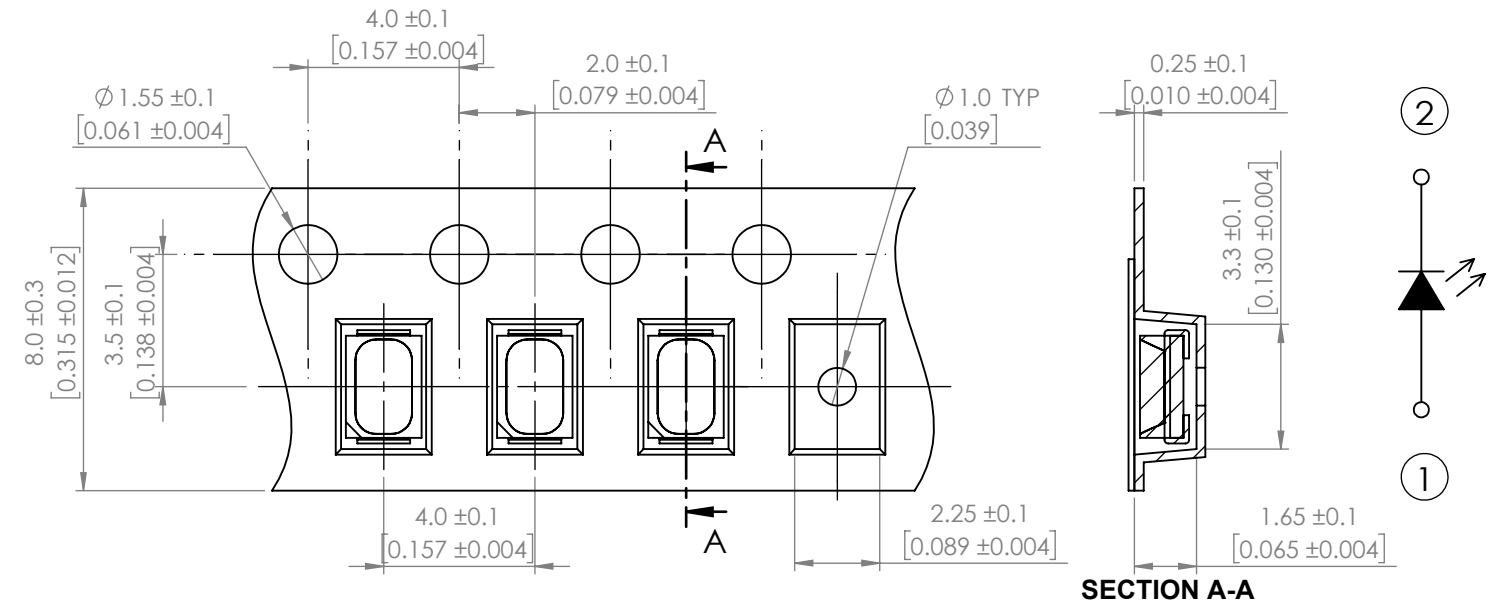
**MOISTURE SENSITIVE DEVICE  
 PER JEDEC LEVEL 3 STANDARDS**

\*UNLESS OTHERWISE SPECIFIED TOLERANCES PER DECIMAL PRECISION ARE: X=±1 (±0.039), X.X=±0.5 (±0.020), X.XX=±0.25 (±0.010), X.XXX=±0.127 (±0.005). LEAD SIZE=±0.05 (±0.002), LEAD LENGTH=±0.75 (±0.030). MIN= <sup>+DECIMAL PRECISION</sup> <sub>-0.00</sub> MAX= <sup>+0.00</sup> <sub>-DECIMAL PRECISION</sub>


**PROFILE**



**CARRIER TAPE DIMENSION**



\*UNLESS OTHERWISE SPECIFIED TOLERANCES PER DECIMAL PRECISION ARE: X=±1 (±0.039), X.X=±0.5 (±0.020), X.XX=±0.25 (±0.010), X.XXX=±0.127 (±0.005). LEAD SIZE=±0.05 (±0.002), LEAD LENGTH=±0.75 (±0.030). MIN= <sup>+DECIMAL PRECISION</sup>/<sub>-0.00</sub> MAX.= <sup>+0.00</sup>/<sub>-DECIMAL PRECISION</sub>

 <p>425 N. GARY AVE. CAROL STREAM, IL 60188 PHONE : 800-278-5666 FAX : 630-315-2150 WEB : WWW.LUMEX.COM</p>	<p>2(W)*3(L)*1.3(H)mm, SURFACE MOUNT WITH REFLECTOR, 655nm SUPER RED LED, WATER CLEAR LENS, TAPE AND REEL.</p>	<p>DATE : 2017.11.10</p>	<p>DRAWN BY : K.Y.</p>
	<p><b>**THE SPECIFICATIONS MAY CHANGE AT ANY TIME WITHOUT NOTICE DUE TO NEW MATERIALS OR PRODUCT IMPROVEMENT.**</b></p>	<p>PAGE : 2 OF 2</p>	<p>CHKD BY : E.C.</p>
	<p>CONFIDENTIAL INFORMATION THE INFORMATION CONTAINED IN THIS DOCUMENT IS THE PROPERTY OF LUMEX INC. EXCEPT AS SPECIFICALLY AUTHORIZED IN WRITING BY LUMEX INC., THE HOLDER OF THIS DOCUMENT SHALL KEEP ALL INFORMATION CONTAINED HEREIN CONFIDENTIAL AND SHALL PROTECT SAME IN WHOLE OR IN PART FROM DISCLOSURE AND DISSEMINATION TO ALL THIRD PARTIES.</p>	<p>SCALE : NTF</p>	<p>APRVD BY : G.Y.</p>
	<p>UNIT : mm [INCH]</p>	<p>⑩</p>	