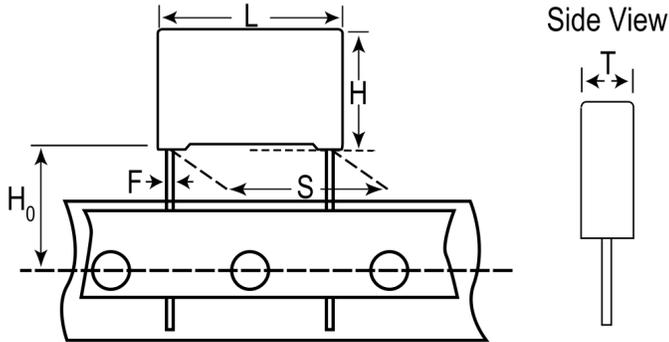


R71PI3330CK10K

Aliases (71PI3330CK10K)

R71, Film, Metallized Polypropylene, General Purpose, 0.33 uF, 10%, 630 VDC, 105°C, Lead Spacing = 15mm



Click [here](#) for the 3D model.

Dimensions

L	18mm +/-0.5mm
H	18.5mm +0.1/-0.5mm
T	7.5mm +0.2/-0.5mm
S	15mm +/-0.4mm
H0	18.5mm +/-0.5mm
F	0.8mm +/-0.05mm

Packaging Specifications

Packaging	T&R, Large
Packaging Quantity	800

General Information

Series	R71
Dielectric	Metallized Polypropylene
Style	Radial
Features	PFC and Pulse
RoHS	Yes
Lead	Wire Leads
AEC-Q200	No
Miscellaneous	Above 105C DC And AC Voltage Derating Is 4%/C.

Specifications

Capacitance	0.33 uF
Capacitance Tolerance	10%
Voltage AC	275 VAC
Voltage DC	630 VDC
Temperature Range	-40/+110°C
Rated Temperature	105°C
Dissipation Factor	0.1% 25C
Insulation Resistance	100 GOhms
Max dV/dt	250 V/us
Resistance	168.8 mOhms (100kHz)
Ripple Current	1.07 Amps (100kHz 85C), 82.5 Amps (Peak)
Inductance	10 nH