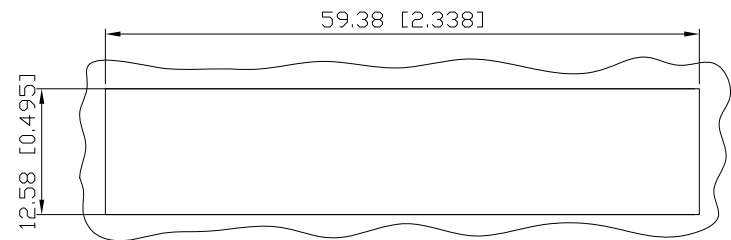
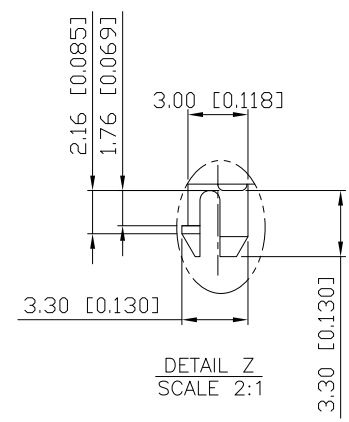
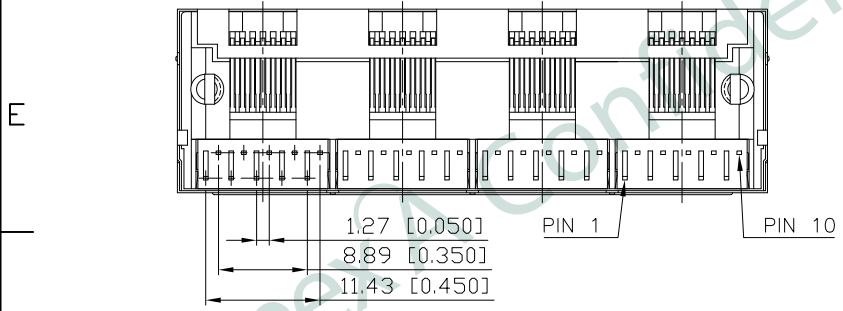
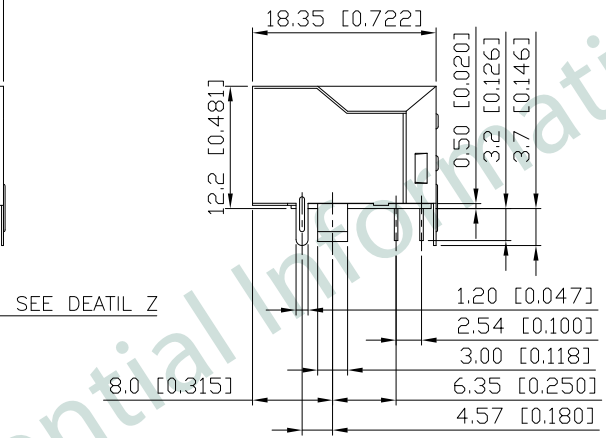
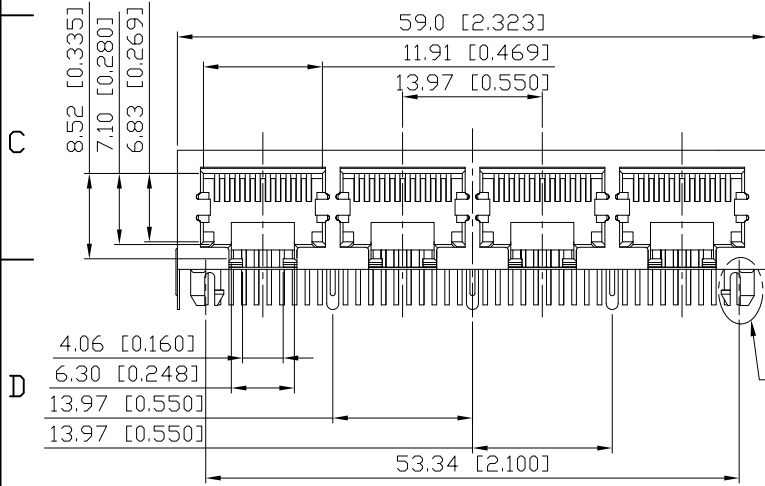
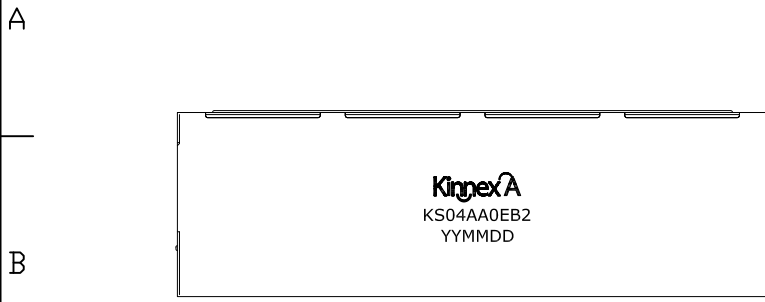


1. MECHANICAL DIMENSIONS :

REV.	DATE	DESCRIPTION
01	Nov. 03, '20	1st RELEASE

- NOTES:
- MATERIAL:
HOUSING: HIGH THERMOPLASTIC, UL94V-0, BLACK
CONTACTS: PHOS-BRONZE,
30μ" GOLD PLATING ON CONTACT AREA,
GOLD FLASH ON SOLDER TAIL,
NICKEL UNDERPLATING OVERALL
SHIELD: BRASS, NICKEL PLATING
 - OPERATING TEMPERATURE: -40°C~+85°C
 - INSERTION FORCE: 4 POUNDS MAX.
EXTRACTION FORCE: 4 POUNDS MAX.
 - DURABILITY: 750 MATING CYCLED MIN.
 - CAVITY CONFORMS TO FCC RULES AND REGULATIONS PART 68, SUBPART F.
 - UNSPECIFIED TOLERANCE: .XX ±0.25[0.010]
.X ±0.30[0.012]

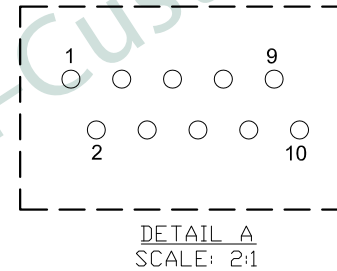
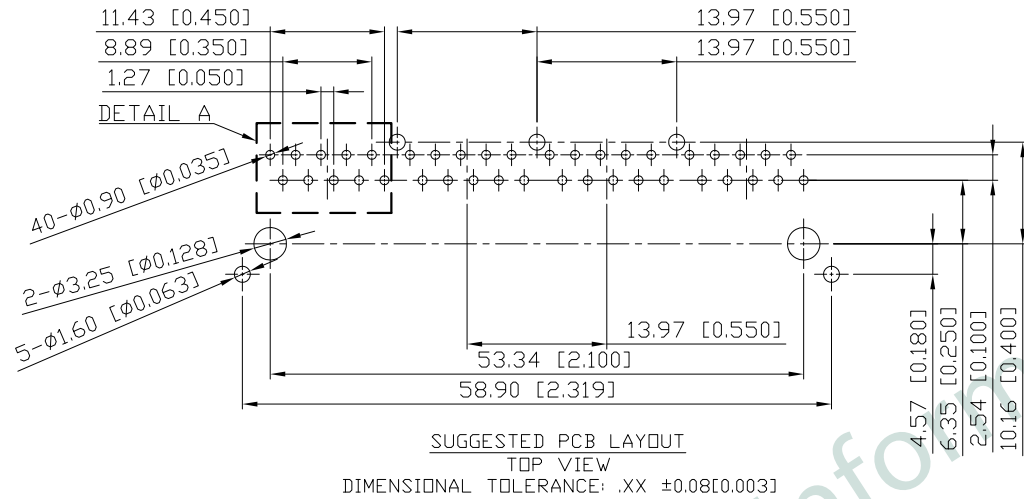
RoHS Compliant



RECOMMENDED
PANEL CUTOUT DIMENSION

PART NO		KRK-S-04-A-A-0-EB2-XXX		
TITLE	RJ45 1X4 10P10C, W/O LED, SHIELDED			
REV : 01				
UNIT	DRAWN	CHKD	DATE	SHEET
mm[inch]	CINDY	VINCENT	Nov. 03, '20	1 of 4

2. PCB LAYOUT :



KRK-S-04-A-A-0-EB2-XXX

PRODUCT SERIES
KRK: LATCH DOWN THRU HOLE

SHIELDED TYPE
S: SHIELDED

NO. OF PORTS

NO. OF POSITION

NO. OF CONTACT

CUSTOMER CODE

CONTACT GOLD PLATED
2: 30U" GOLD

SERIAL NUMBER

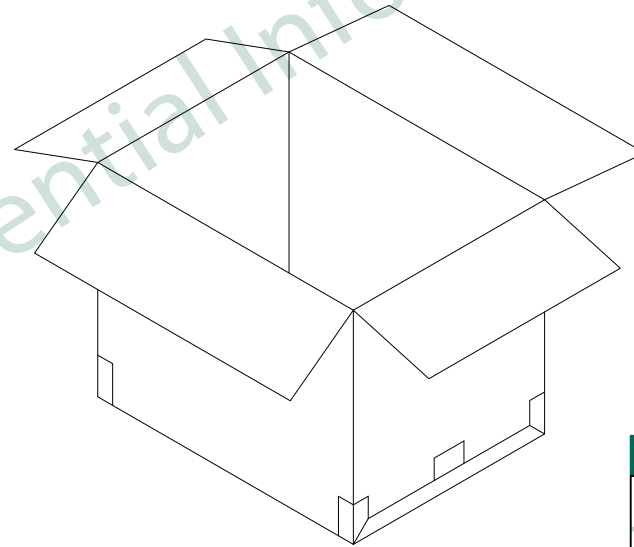
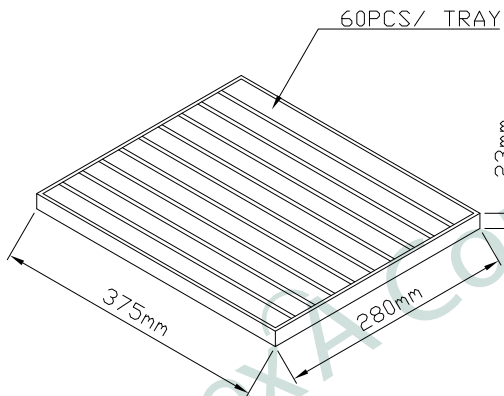
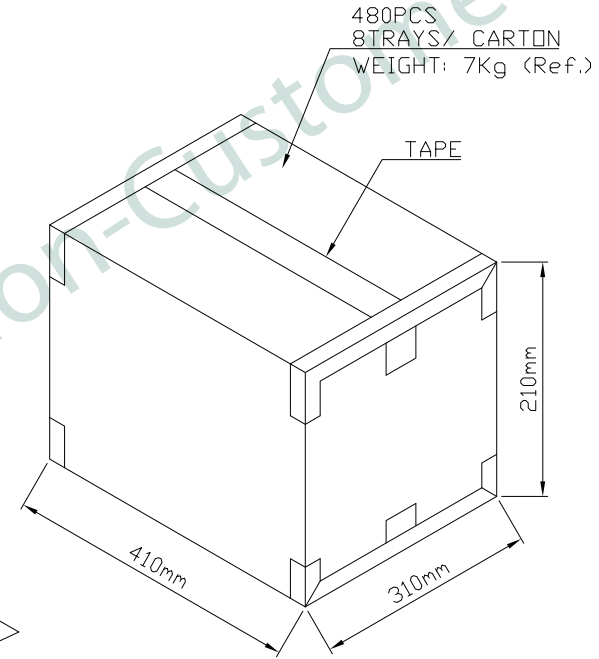
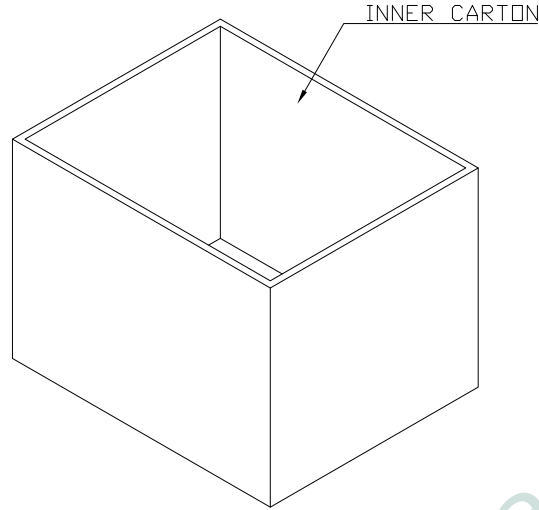
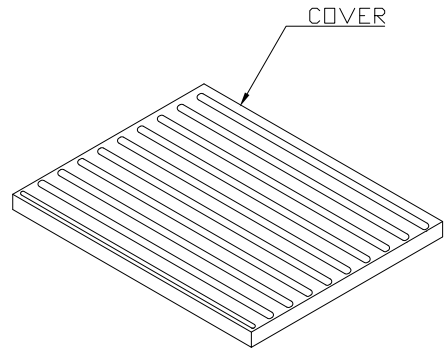
RUNNING CODE


LED COLOR OPTION

PART NO		KRK-S-04-A-A-0-EB2-XXX		
TITLE	RJ45 1X4 10P10C, W/O LED, SHIELDED			
REV : 01				
UNIT	DRAWN	CHKD	DATE	SHEET
mm[inch]	CINDY	VINCENT	Nov. 03, '20	2 of 4

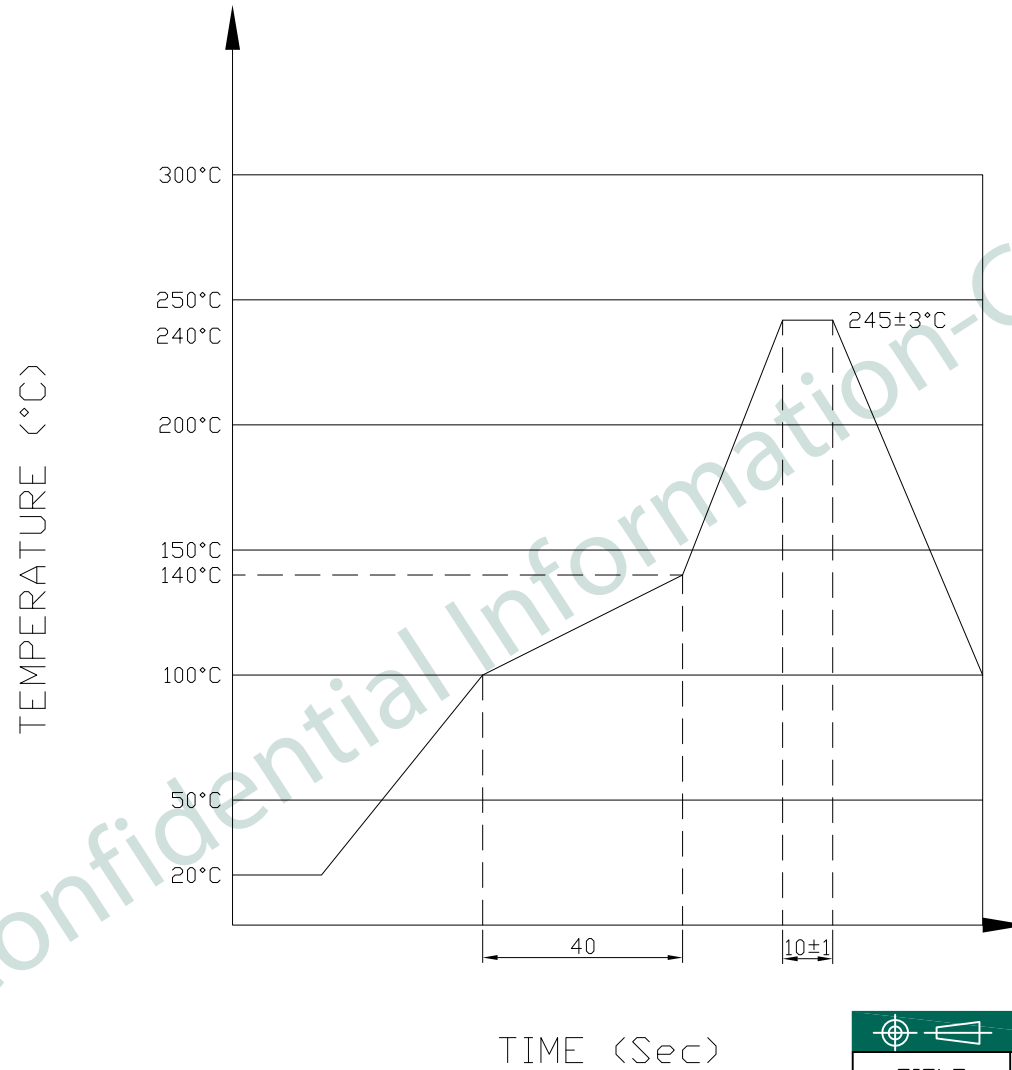
3. PACKING SPECIFICATION:

A
B
C
D
E
F




 PART NO		KRK-S-04-A-A-0-EB2-XXX		
TITLE	RJ45 1X4 10P10C, W/O LED, SHIELDED			
REV : 01				
UNIT	DRAWN	CHKD	DATE	SHEET
mm[inch]	CINDY	VINCENT	Nov. 03, '20	3 of 4

4. PROFILE OF WAVE SOLDER :



THE MEASURING POINT FOR THE SPECIFIED TEMPERATURE SHALL BE ON THE SOLDERED PART OF THE LEAD

 PART NO		KRK-S-04-A-A-0-EB2-XXX		
TITLE	RJ45 1X4 10P10C, W/O LED, SHIELDED			
REV : 01				
UNIT	DRAWN	CHKD	DATE	SHEET
mm[inch]	CINDY	VINCENT	Nov. 03, '20	4 of 4