

DO NOT SCALE FROM THIS PRINT

PAIRS PER COLUMN
-3

No. OF COLUMNS
-04
-06
-08

PLATING
-S: 30µ" SELECTIVE GOLD IN CONTACT AREA, MATTE TIN ON TAIL

IMPEDANCE
-100: 100 Ω
-085: 85 Ω

WAFERS
-LC: STANDARD
-HS: HIGH SPEED

ORIENTATION
-RA: RIGHT ANGLE

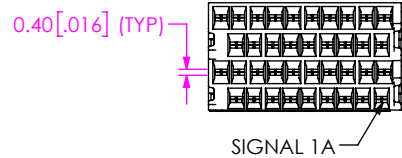
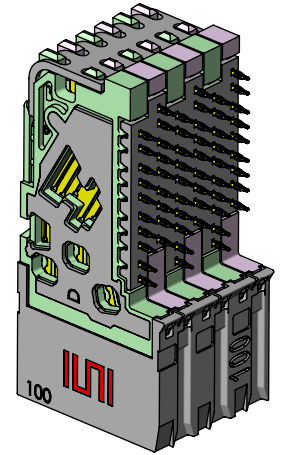
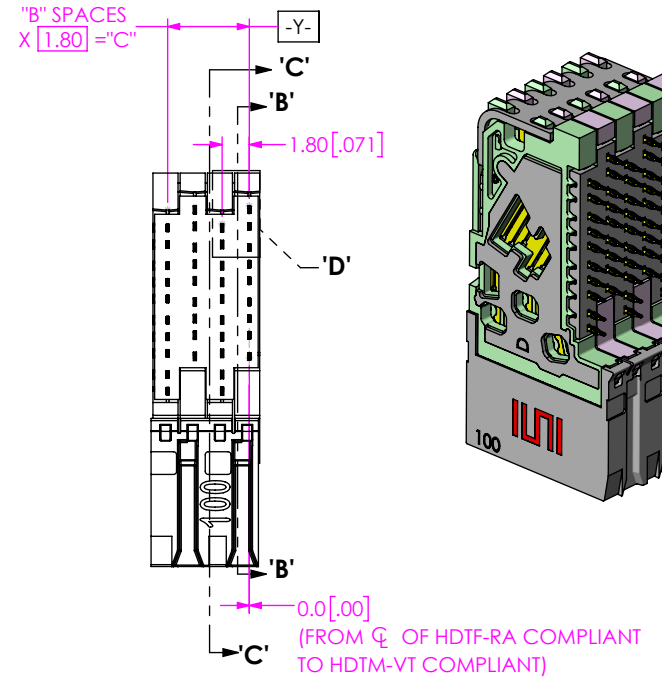
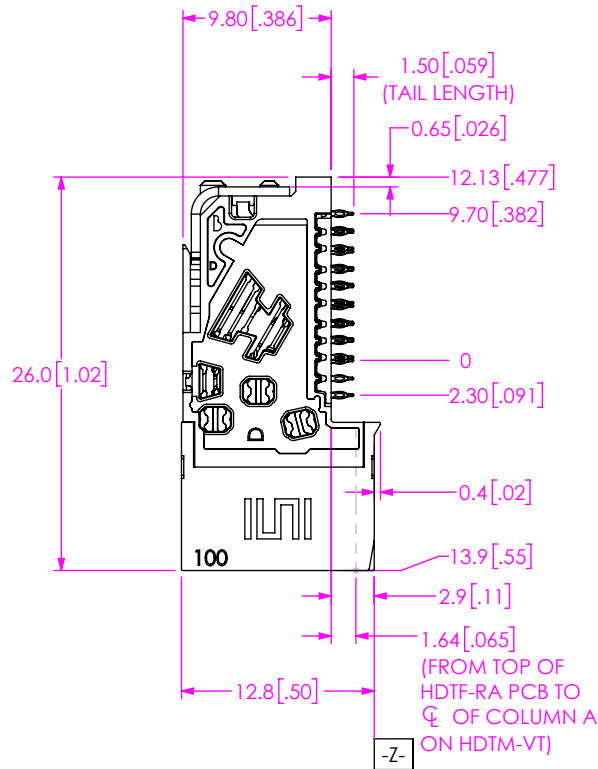
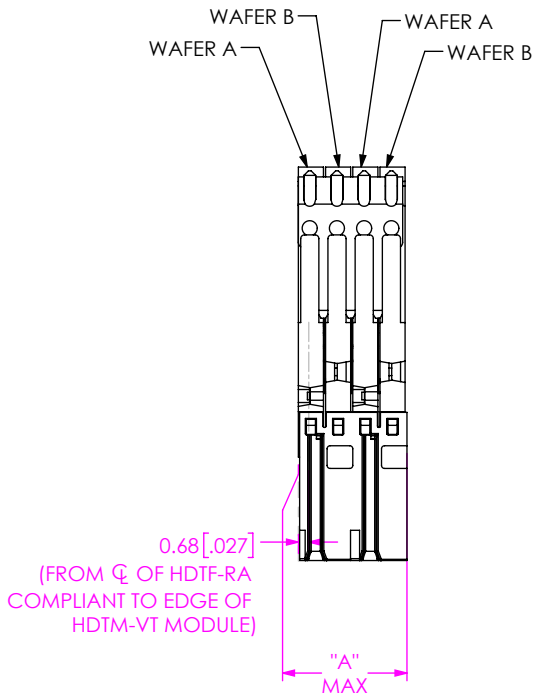


FIG 1
(HDTF-3-04-X-RA-XX-XXX SHOWN)

F:\DWG\MISC\MKTG\HDTF-3-XX-X-RA-XX-XXX-MKT.SLDDRW

TABLE 1

No. OF COLUMNS	"A"	"B"	"C"
-04	7.2 [0.28]	3	5.40 [0.213]
-06	10.8 [0.42]	5	9.00 [0.354]
-08	14.4 [0.57]	7	12.60 [0.496]

UNLESS OTHERWISE SPECIFIED, DIMENSIONS ARE IN MILLIMETERS. TOLERANCES ARE:
DECIMALS ANGLES
.X: ±0.25[0.010] 1°
.XX: ±0.13[0.005]
.XXX: ±

PROPRIETARY NOTE
THIS DOCUMENT CONTAINS CONFIDENTIAL AND PROPRIETARY INFORMATION AND ALL DESIGN, MANUFACTURING, REPRODUCTION, USE, PATENT RIGHTS AND SALES RIGHTS ARE EXPRESSLY RESERVED BY SAMTEC, INC. THIS DOCUMENT SHALL NOT BE DISCLOSED, IN WHOLE OR PART, TO ANY UNAUTHORIZED PERSON OR ENTITY NOR REPRODUCED, TRANSFERRED OR INCORPORATED IN ANY OTHER PROJECT IN ANY MANNER WITHOUT THE EXPRESS WRITTEN CONSENT OF SAMTEC, INC.

samtec

520 PARK EAST BLVD, NEW ALBANY, IN 47150
PHONE: 812-944-6733 FAX: 812-948-5047
e-Mail info@SAMTEC.com code 55322

MATERIAL:
INSULATOR: LCP
CONTACT: CU ALLOY

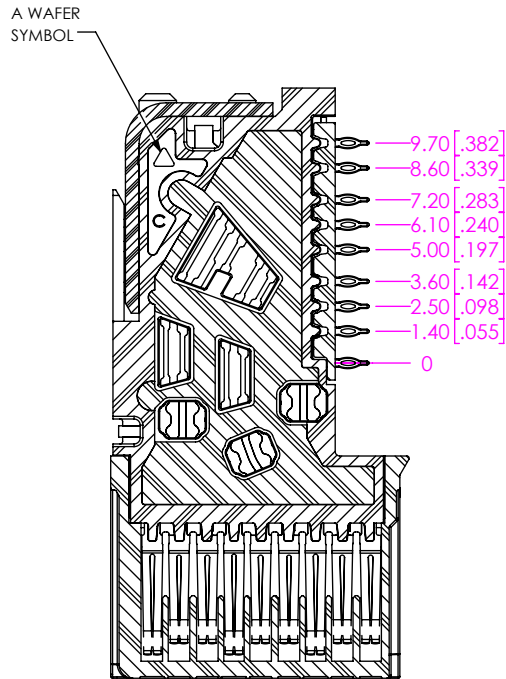
DO NOT SCALE DRAWING SHEET SCALE: 2:1

DESCRIPTION:
XCede® 3 PAIR HD RA ASSEMBLY

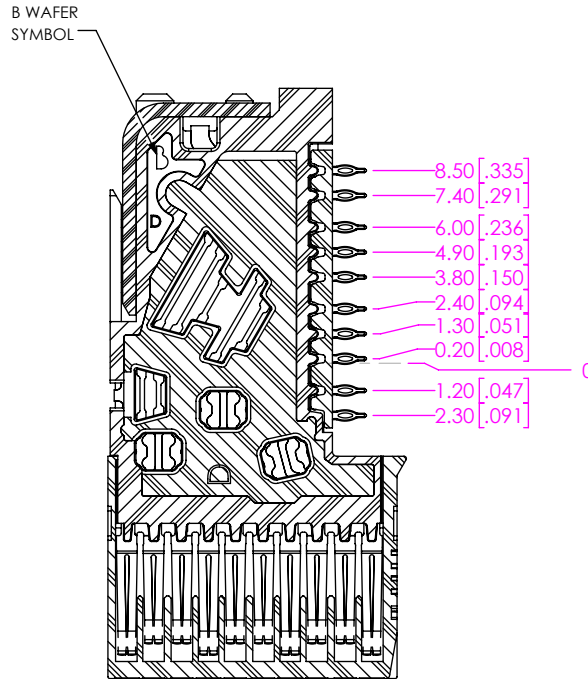
DWG. NO.
HDTF-3-XX-X-RA-XX-XXX

BY: KNOWLDEN 11/10/2016 SHEET 1 OF 2

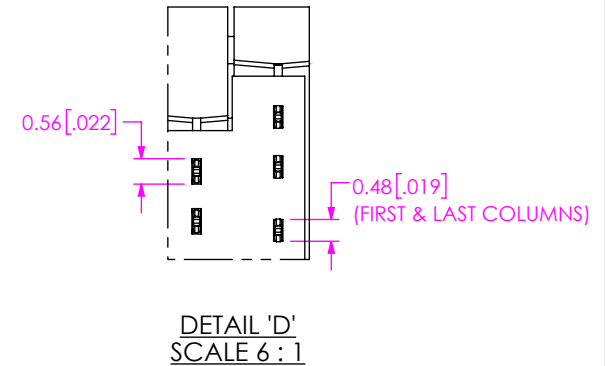
- NOTES:
1. TRAYS TO BE STANDARD PACKAGING.
 2. CONTACT SAMTEC FOR CONNECTOR PRESS FIT INSTRUCTIONS AND REQUIRED FIXTURES.



SECTION 'B'-'B'
SCALE 3 : 1
(WAFFER A)
(HS OR LC OPTIONS)



SECTION 'C'-'C'
SCALE 3 : 1
(WAFFER B)
(HS OR LC OPTIONS)



PROPRIETARY NOTE
THIS DOCUMENT CONTAINS CONFIDENTIAL AND PROPRIETARY INFORMATION AND ALL DESIGN, MANUFACTURING, REPRODUCTION, USE, PATENT RIGHTS AND SALES RIGHTS ARE EXPRESSLY RESERVED BY SAMTEC, INC. THIS DOCUMENT SHALL NOT BE DISCLOSED, IN WHOLE OR PART, TO ANY UNAUTHORIZED PERSON OR ENTITY NOR REPRODUCED, TRANSFERRED OR INCORPORATED IN ANY OTHER PROJECT IN ANY MANNER WITHOUT THE EXPRESS WRITTEN CONSENT OF SAMTEC, INC.

samtec
520 PARK EAST BLVD, NEW ALBANY, IN 47150
PHONE: 812-944-6733 FAX: 812-948-5047
e-Mail info@SAMTEC.com code 55322

DO NOT SCALE DRAWING
SHEET SCALE: 2:1

DESCRIPTION:
XCede® 3 PAIR HD RA ASSEMBLY
DWG. NO.
HDTF-3-XX-X-RA-XX-XXX
BY: KNOWLDEN 11/10/2016 SHEET 2 OF 2