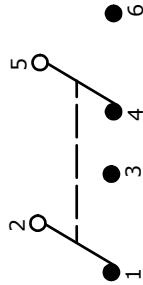


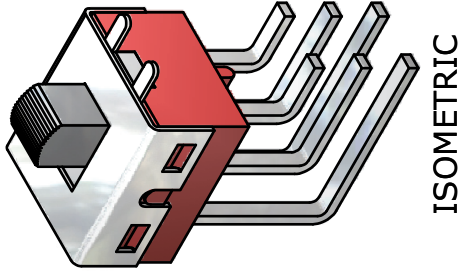
P.C. MOUNTING

SWITCH FUNCTION	POS. 1	POS. 2	POS. 3
ON			
NONE			
2-1, 5-4			

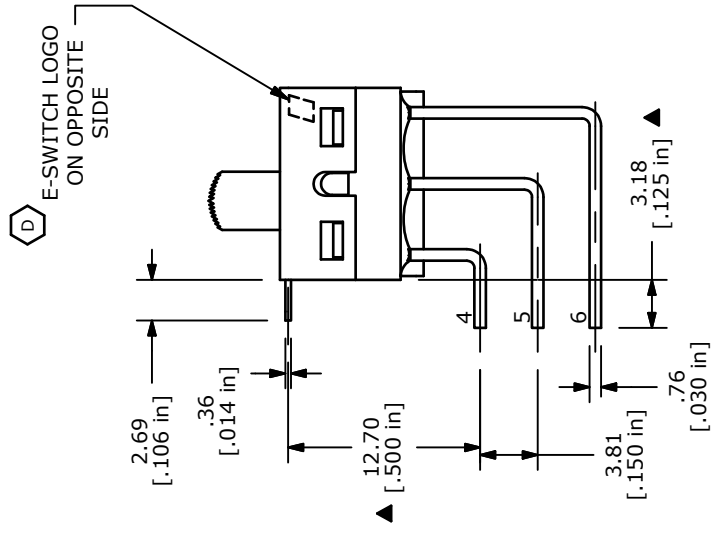
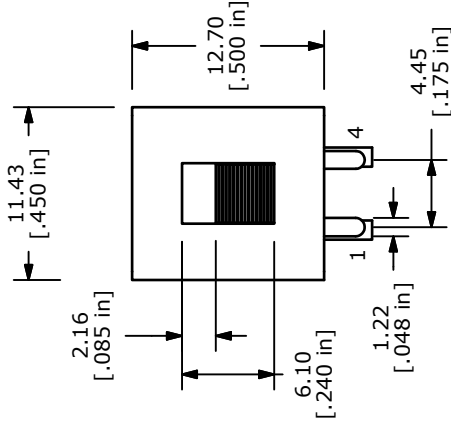


CIRCUIT: DPDT

- NOTE:
1. ALL DIMENSIONS IN MM [INCH]
 2. GENERAL TOLERANCE: X.X=±0.4
X.XX=±0.25
 3. TERMINAL NUMBERS FOR REF ONLY
 4. PLATING MATERIAL: SILVER
 5. CONTACT RATING: 5A @120VAC OR 28VDC, 2A @250VAC
 6. ELECTRIC LIFE: 30,000 MAKE-AND-BREAK CYCLES AT FULL LOAD.
 7. INSULATION RESISTANCE: 1,000 MEGA-OHM MIN.
 8. DIELECTRIC STRENGTH: 1,000 V RMS @SEA LEVEL.
 9. OPERATING TEMP.: -30°C to 85°C
 10. ▲ DENOTES CRITICAL PARAMETER.
 11. CONTACT RESISTANCE: 10 m-OHMS TYP.
 12. 2002/95/EC (ROHS) COMPLIANT



ISOMETRIC



ⓓ E-SWITCH LOGO ON OPPOSITE SIDE

EPOXY SEAL

		E-SWITCH™	
TITLE 500SDP1S1M7QEA			
REV	PCR NO	DESCRIPTION	DATE
E	19570	DRAWING UPDATE / CLEAN-UP	1/7/11 BGL
D	18678	REVISED LOGO LOCATION NOTE	10/12/09 BLR
C	16919	REVISED AND REDRAWN	1/25/07 TN
SCALE	2:1	DATE	10/12/2009
DR	BLR	DWG	T521012
REV	E	REV	E

THE INFORMATION CONTAINED IN THIS DOCUMENT IS PROPRIETARY TO E-SWITCH AND IS NOT TO BE COPIED OR TRANSFERRED