

LOC	DIST	REVISIONS					
—	—	P	LTR	DESCRIPTION	DATE	DWN	APVD
			F	OBSOLESCENCE OF 163179-1	02JAN2013	KJK	RP

NOTE

△ OBSOLETE


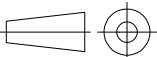
QTY	NUMBER	NAME	STUD SIZE	ITEM
14	131419-2	PARTITION	—	21
1	132526-1	CASE	—	20
5	163179-1	.250 SRS LINE SPLICE CONN. (WHITE)	—	19
10	9-160463-2	1,0-2,5mm ² .250 SRS PIDG PIGGY-BACK FASTON	—	18
10	9-160313-2	1,0-2,5mm ² .250 SRS PIDG FATON REC.	—	17
10	165034-0	2,7-6,6mm ² PIDG RINGTONGUE	1/4	16
10	130171-0	2,7-6,6mm ² PIDG RINGTONGUE	M5	15
10	35108-0	2,7-6,6mm ² PIDG RINGTONGUE	M4	14
20	320862-0	0,25-1,6mm ² FLANGED SPADE	M4	13
20	130094-0	0,25-1,6mm ² PIDG RINGTONGUE	M5	12
20	320565-0	0,25-1,6mm ² PIDG RINGTONGUE	M4	11
20	320619-0	0,25-1,6mm ² PIDG RINGTONGUE	M3,5	10
20	165142-0	0,25-1,6mm ² PIDG SPADE	—	9
20	35559-0	1,0-2,6mm ² PIDG SPADE	M3,5	8
20	326861-0	0,25-1,6mm ² PIDG SPADE	M2,6	7
20	31890-0	0,25-1,6mm ² PIDG RINGTONGUE	M4	6
20	36150-0	0,25-1,6mm ² PIDG RINGTONGUE	M3,5	5
20	31880-0	0,25-1,6mm ² PIDG RINGTONGUE	M2,6	4
10	34072-0	2,7-6,6mm ² P.G. BUTT-SPLICE	—	3
15	34071-0	1,0-2,6mm ² P.G. BUTT-SPLICE	—	2
20	34070-0	0,25-1,6mm ² P.G. BUTT-SPLICE	—	1

RELEASED FOR PUBLICATION

ALL RIGHTS RESERVED.

THIS DRAWING IS UNPUBLISHED.

© COPYRIGHT - F

DIMENSIONS: mm	DWN	01 AUG 1996	MATERIAL	FINISH		
	J.v.LIEMPT		—	—		
TOLERANCES UNLESS OTHERWISE SPECIFIED:	CHK	02 MAR 01	 TE Connectivity			
	A. BIJNEN					
0 PLC ± - 1 PLC ± - 2 PLC ± - 3 PLC ± - 4 PLC ± - ANGLES ± -	APVD	02 MAR 01	NAME P.I.D.G. INTRODUCTION ASSORTIMENT			
	A. BIJNEN					
	PRODUCT SPEC	—	SIZE	CAGE CODE	DRAWING NO	RESTRICTED TO
	APPLICATION SPEC	—	A4	00779	C-165346	—
WEIGHT	—	CUSTOMER DRAWING		SCALE	SHEET	REV
				—	1 OF 1	F