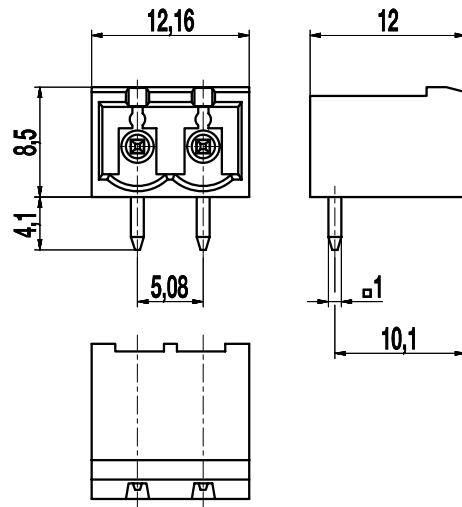


121-ME-211

Pin strip
Plug-in direction parallel to PCB



GENERAL INFORMATION

Pitch	5,08 mm
No. of poles	2 - 24
Usable with	121-FEP-311

TECHNICAL DATA

Rated Impulse Voltage	4 kV
Rated Current	16 A
Hole in PCB	ø 1,5 mm

APPROVALS

	Current [A]	Voltage [V]	Group	AWG	[Nm]
	16	300	B, D		

MATERIAL

Moulding	PA V0, black
Temperature Range	-40°C up to 130°C
Solder pin	1,0 x 1,0 mm; tin-plated copper alloy

CONFIGURATIONS

Poles	Item	Article number	Length (L)	Packaging	PU
2	121-ME-211/02	10.806.982	12,16 mm	Box	250
3	121-ME-211/03	10.806.983	17,24 mm	Box	250
4	121-ME-211/04	10.806.984	22,32 mm	Box	250
5	121-ME-211/05	10.806.985	27,40 mm	Box	
6	121-ME-211/06	10.806.986	32,48 mm	Box	
7	121-ME-211/07	10.806.987	37,56 mm	Box	
8	121-ME-211/08	10.806.988	42,64 mm	Box	
9	121-ME-211/09	10.806.989	47,72 mm	Box	
10	121-ME-211/10	10.806.990	52,80 mm	Box	100
11	121-ME-211/11	10.806.991	57,88 mm	Box	
12	121-ME-211/12	10.806.992	62,96 mm	Box	

further number of poles on request

