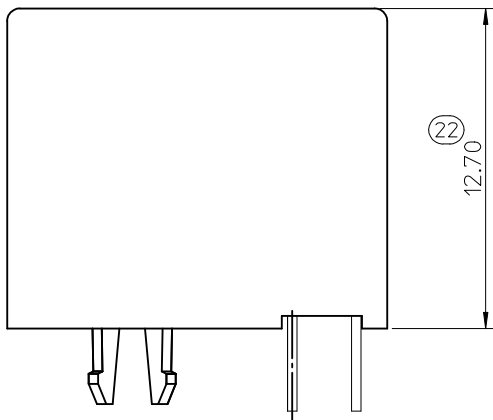


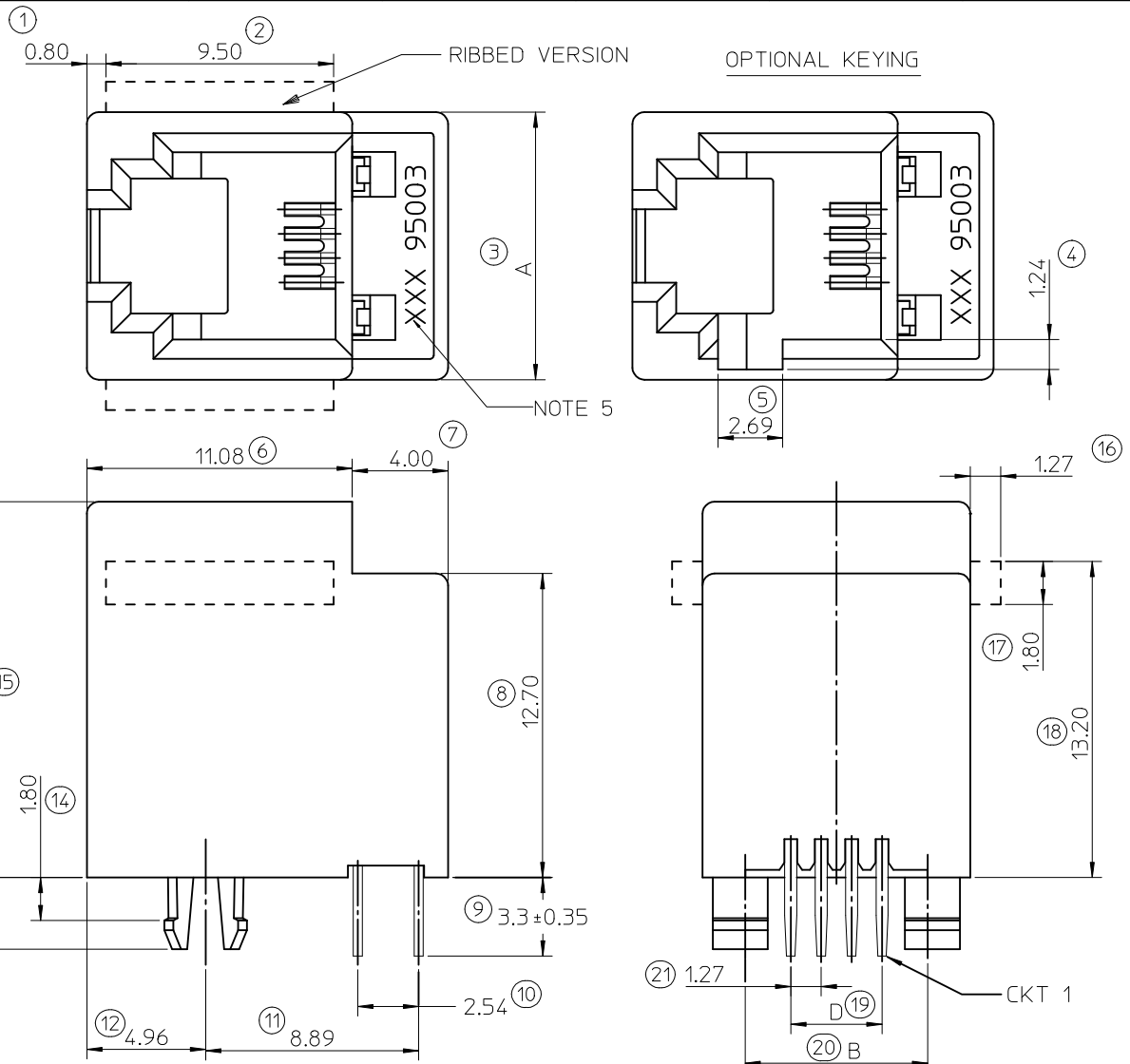
NOTES :

- 1- MATERIAL:
 -HOUSING: LCP FIBER GLASS FILLED UL 94-V0
 COLOR BLACK.
 -TERMINAL: COPPER ALLOY
 - BASE FINISH: NICKEL
 - CONTACT SURFACE FINISH
 GOLD
 OR
 GOLD FLASH OVER PALLADIUM NICKEL
 EXCEEDS PRODUCT REQUIREMENTS BASED ON PS-95503-001
- 2- JACK FOR MATING WITH F.C.C. 68 PLUGS
 90075 MOLEX SERIES.
3. P.C.B. THICKNESS: 1.57
- 4- PRODUCT SPECIFICATION PS-95503-001
- 5- PACKAGING SPECIFICATION:
 - STANDARD PACKAGING PK-95003 SHEET 1.
 - TUBE PACKAGING FOR SMT VERSION PK-95003 SHEET 2.
 - TUBE PACKAGING FOR THROUGH HOLE VERSION
 PK-95003 SHEET 3.
 - TAPE AND REEL PACKAGING FOR THROUGH HOLE PK-95503-001.
- 6- MANUFACTURING I.D. CAN BE MXF, MG OR MXI.
 INSPECTION NUMBERS USED: 1 - 50
 LAST INSPECTION NUMBER: 22

| TYPE DIM. | POS. 4 | POS. 6 | | POS. 8 |
|--------------|---------|---------|---------|---------|
| | 4 CKTS. | 4 CKTS. | 6 CKTS. | 8 CKTS. |
| A | 11.18 | 13.21 | 13.21 | 15.24 |
| B | 7.62 | 10.16 | 10.16 | 11.43 |
| D | 3.81 | 3.81 | 6.35 | 8.89 |



SHORT VERSION



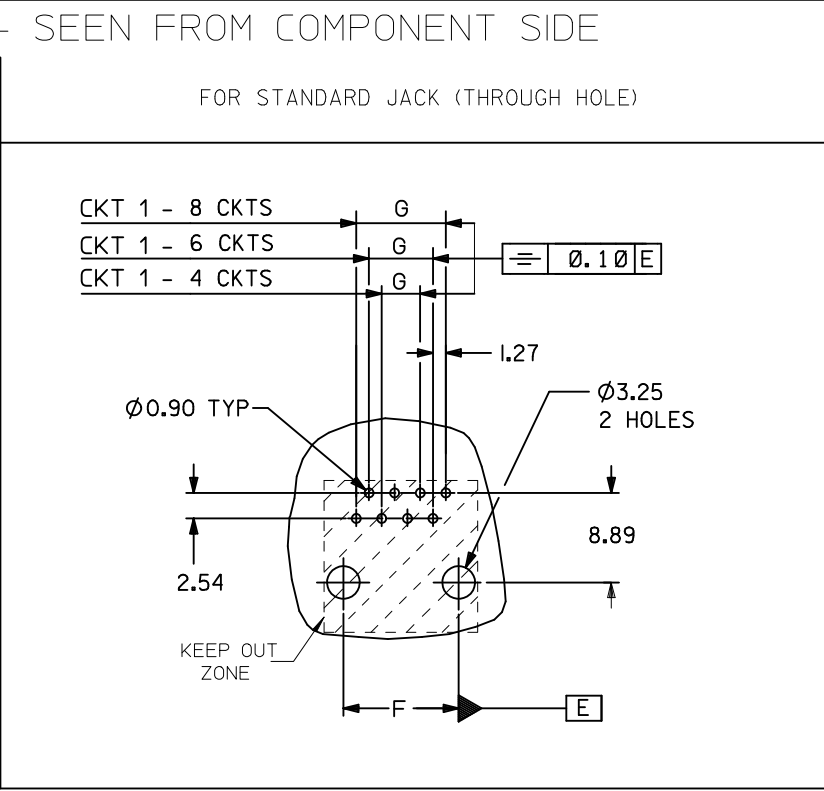
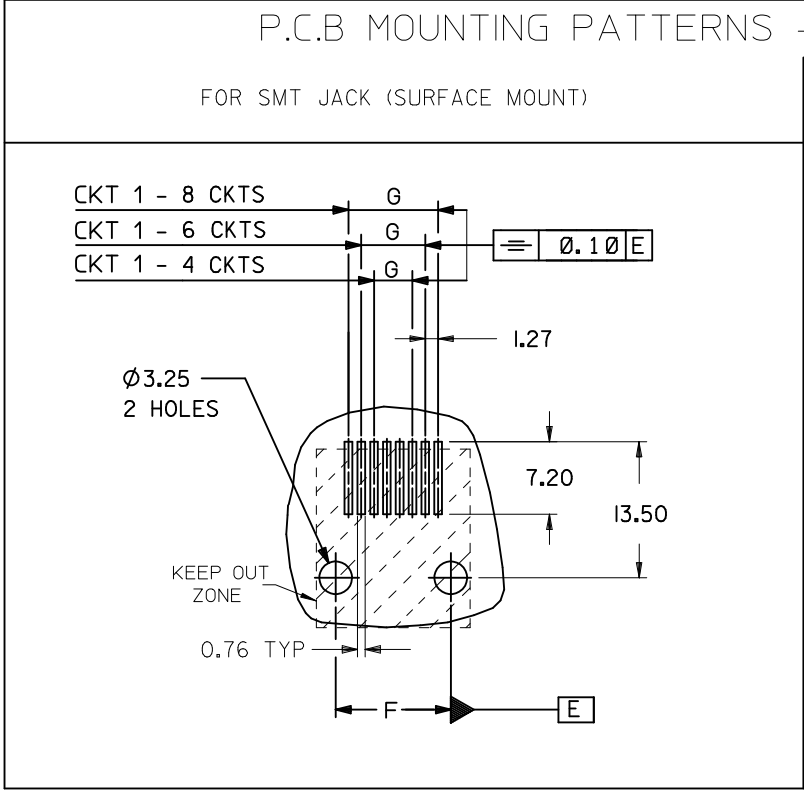
| MODIFIED PLATING OPTION EC NO: IPG2012-0589 DRW:DBYRNES 2012/03/29 CHKD:MSHAHAN 2012/03/30 APPR:EFOLAN 2012/06/28 | QUALITY SYMBOLS ▽=0 ◻=0 | GENERAL TOLERANCES (UNLESS SPECIFIED) <table border="1"> <thead> <tr> <th></th> <th>mm</th> <th>INCH</th> </tr> </thead> <tbody> <tr> <td>4 PLACES</td> <td>± ---</td> <td>± ---</td> </tr> <tr> <td>3 PLACES</td> <td>± ---</td> <td>± ---</td> </tr> <tr> <td>2 PLACES</td> <td>± 0.15</td> <td>± ---</td> </tr> <tr> <td>1 PLACE</td> <td>± 0.25</td> <td>± ---</td> </tr> </tbody> </table> ANGULAR ± .5 ° | | mm | INCH | 4 PLACES | ± --- | ± --- | 3 PLACES | ± --- | ± --- | 2 PLACES | ± 0.15 | ± --- | 1 PLACE | ± 0.25 | ± --- | DIMENSION STYLE MM ONLY DRAWN BY: TMARTIN DATE: 2005/06/15 CHECKED BY: FCARABETTA DATE: 2005/06/15 APPROVED BY: KNOLLER DATE: 2005/06/15 | SCALE 5:1 DESIGN UNITS METRIC THIRD ANGLE PROJECTION | TITLE LOW PROFILE TOP ENTRY JACK (THROUGH HOLE VERSION) MOLEX INCORPORATED |
|--------------------------------------------------------------------------------------------------------------------------------------|-------------------------------------------------------------------------------------------------------------------------------|-------------------------------------------------------------------------------------------------------------------------------------------------------------------------------------------------------------------------------------------------------------------------------------------------------------------------------------------------------------------------------------------------------------------|----------------------------|----|------|----------|-------|-------|----------|-------|-------|----------|--------|-------|---------|--------|-------|----------------------------------------------------------------------------------------------------------------------------------------------------------------------|--------------------------------------------------------------------------------|-----------------------------------------------------------------------------------------|
| | | mm | INCH | | | | | | | | | | | | | | | | | |
| | 4 PLACES | ± --- | ± --- | | | | | | | | | | | | | | | | | |
| | 3 PLACES | ± --- | ± --- | | | | | | | | | | | | | | | | | |
| 2 PLACES | ± 0.15 | ± --- | | | | | | | | | | | | | | | | | | |
| 1 PLACE | ± 0.25 | ± --- | | | | | | | | | | | | | | | | | | |
| DRAFT WHERE APPLICABLE MUST REMAIN WITHIN DIMENSIONS | MATERIAL NO. SEE SHT 4,5 | DOCUMENT NO. SD-95503-003 | SHEET NO. 1 OF 5 | | | | | | | | | | | | | | | | | |
| SIZE A3 | THIS DRAWING CONTAINS INFORMATION THAT IS PROPRIETARY TO MOLEX INCORPORATED AND SHOULD NOT BE USED WITHOUT WRITTEN PERMISSION | | | | | | | | | | | | | | | | | | | |

| TYPE DIM. | POS. 4 | POS. 6 | | POS. 8 |
|--------------|---------|---------|---------|---------|
| | 4 CKTS. | 4 CKTS. | 6 CKTS. | 8 CKTS. |
| F ±0.05 | 7.62 | 10.16 | 10.16 | 11.43 |
| G ±0.05 | 3.81 | 3.81 | 6.35 | 8.89 |

P.C.B MOUNTING PATTERNS - SEEN FROM COMPONENT SIDE

FOR SMT JACK (SURFACE MOUNT)

FOR STANDARD JACK (THROUGH HOLE)



NOTES:

ALL DIMENSIONS REF DIMENSIONS

| | | | | | | | |
|-----------------------------------------------------------------------------------------------------|-----------------|----------------------------------------------------------------------------------------------------------------------------|---------------------------------------------------------------------|----------------------------------------------------------|-------------------------------------------------------------------------------------------------------------------------------|------------------------|--|
| REMOVED INCHES EC NO: E2012-0079 DRWN: JCONNOR 2011/03/04 CHKD: APPR: EFOLAN 2011/09/28 | QUALITY SYMBOLS | GENERAL TOLERANCES (UNLESS SPECIFIED) | DIMENSION STYLE | SCALE | DESIGN UNITS | THIRD ANGLE PROJECTION | |
| | ▽=0 Ⓢ=0 | mm INCH 4 PLACES ± --- ± --- 3 PLACES ± --- ± --- 2 PLACES ± 0.15 ± --- 1 PLACE ± 0.25 ± --- ANGULAR ± .5 ° | MM ONLY | 1:1 | METRIC | | |
| | | DRAFT WHERE APPLICABLE MUST REMAIN WITHIN DIMENSIONS | DRAWN BY: TMARTIN CHECKED BY: FCARABETTA APPROVED BY: KNOLLER | DATE: 2005/06/15 DATE: 2005/06/15 DATE: 2005/06/15 | TITLE: LOW PROFILE T/E JACK MOLEX INCORPORATED | | |
| | | | MATERIAL NO.: SEE SHT. 4, 5 SIZE: A3 | DOCUMENT NO.: SD-95503-003 SHEET NO.: 3 OF 5 | THIS DRAWING CONTAINS INFORMATION THAT IS PROPRIETARY TO MOLEX INCORPORATED AND SHOULD NOT BE USED WITHOUT WRITTEN PERMISSION | | |

| HOUSING SIZE | LOADED CONTACTS |
|--------------|-----------------|
| 4 | 4 |
| 6 | 4 |
| 6 | 6 |
| 8 | 8 |

PART NO FOR JACK ASSEMBLY THROUGH HOLE STANDARD VERSION

| LCP FIBER GLASS FILLED 94V0 COLOR BLACK | | | | | |
|-----------------------------------------|--------|------------|--------|--|--------|
| NO KEY | TOOLED | KEY | TOOLED | | TOOLED |
| NO RIB | TOOLED | NO RIB | TOOLED | | TOOLED |
| 95503-2441 | X | | | | |
| 95503-2641 | X | | | | |
| 95503-2661 | X | | | | |
| 95503-2881 | X | 95503-2882 | X | | |

TRAY PACKAGING
SEE PACKAGING SPEC PK-95003 SHEET 1

PART NO FOR JACK ASSEMBLY THROUGH HOLE SHORT VERSION

| LCP FIBER GLASS FILLED 94V0 COLOR BLACK | | | | | |
|-----------------------------------------|--------|--------|--------|--|--------|
| NO KEY | TOOLED | KEY | TOOLED | | TOOLED |
| NO RIB | TOOLED | NO RIB | TOOLED | | TOOLED |
| 95503-2884 | X | | | | |

TRAY PACKAGING
SEE PACKAGING SPEC PK-95003 SHEET 1

PART NO FOR JACK ASSEMBLY THROUGH HOLE STANDARD VERSION

| LCP FIBER GLASS FILLED 94V0 COLOR BLACK | | | | | |
|-----------------------------------------|--------|--------|--------|--|--------|
| NO KEY | TOOLED | KEY | TOOLED | | TOOLED |
| NO RIB | TOOLED | NO RIB | TOOLED | | TOOLED |
| 95503-2440 | X | | | | |
| 95503-2640 | | | | | |
| 95503-2660 | | | | | |
| 95503-2880 | X | | | | |

TAPE AND REEL PACKAGING
SEE PACKAGING SPEC PK-95503 SHEET 1

| | |
|------------|---|
| TOOLED | X |
| NOT TOOLED | |

NOTES:
PLATING: SEE SHEET ONE

| | | | | | | | |
|-----------------------------------------------------------------------------------------------------------------------------------|-----------------|-----------------------------------------------------------------------------------------------------------------------------|---------------------------------------------------------------------------------------------------------------------------------|-----------|-----------------------------------------|-------------------------------|--|
| ADDED PLATING OPTION EC NO: IPG2013-0151 DRW: DBYRNES 2012/07/31 CHK: SMC GREVY 2012/07/31 APPR: J WALLACE 2012/07/31 | QUALITY SYMBOLS | GENERAL TOLERANCES (UNLESS SPECIFIED) | DIMENSION STYLE | SCALE | DESIGN UNITS | THIRD ANGLE PROJECTION | |
| | ▽=0 ◻=0 | mm INCH 4 PLACES ± --- ± --- 3 PLACES ± --- ± --- 2 PLACES ± --- ± --- 1 PLACE ± --- ± --- ANGULAR ± ---° | MM ONLY | --- | METRIC | ☉ ◻ THIRD ANGLE PROJECTION | |
| | DESCRIPTION | DRAFT WHERE APPLICABLE MUST REMAIN WITHIN DIMENSIONS | DRAWN BY: TMARTIN DATE: 2005/06/16 CHECKED BY: FCARABETTA DATE: 2005/06/16 APPROVED BY: KNOLLER DATE: 2005/06/16 | TITLE | LOW PROFILE T/E JACK THROUGH HOLE VERS. | | |
| | REV | | MATERIAL NO. | SEE CHART | DOCUMENT NO. | SD-95503-003 | |

| | |
|-------------------------------------------------------------------------------------------------------------------------------|--|
| MOLEX INCORPORATED | |
| SHEET NO. 4 OF 5 | |
| THIS DRAWING CONTAINS INFORMATION THAT IS PROPRIETARY TO MOLEX INCORPORATED AND SHOULD NOT BE USED WITHOUT WRITTEN PERMISSION | |