

MATERIALS AND FINISHES

PART NO.73413-0050

BODY BRASS
PLATED GOLD

CENTER CONTACT BERYLLIUM COPPER
PLATED GOLD

INSULATOR TEFLON

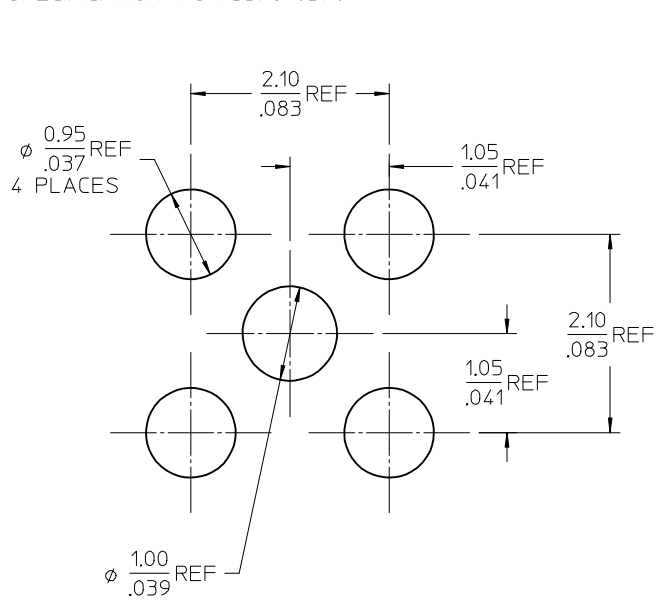
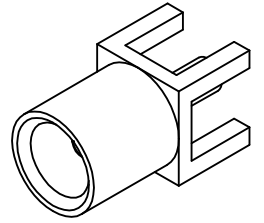
SPECIFICATION: PS-73598-0370

PART NO.73413-0051

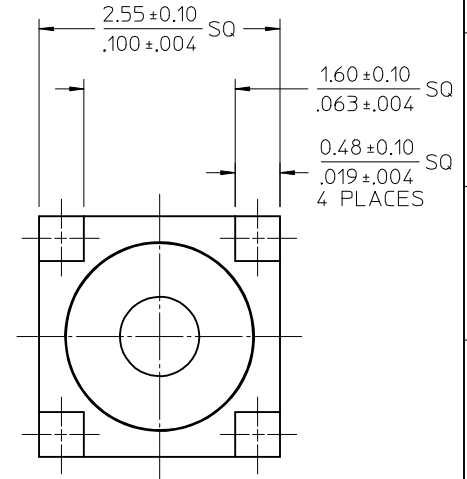
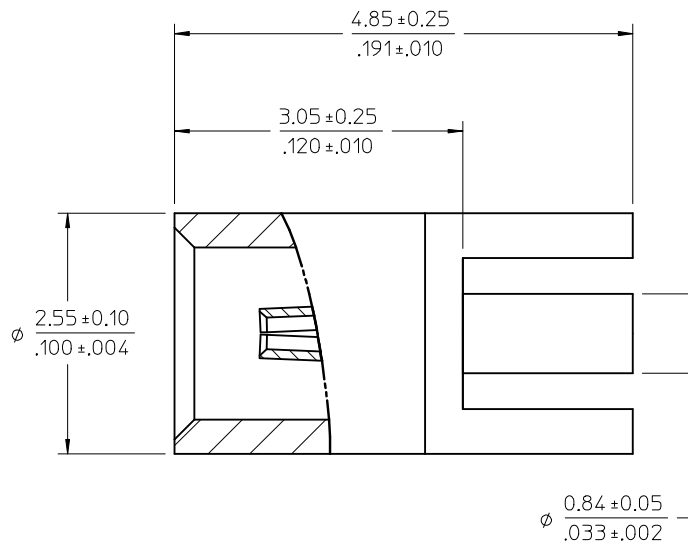
BODY BERYLLIUM COPPER
PLATED TRI-METAL

CENTER CONTACT BERYLLIUM COPPER
PLATED GOLD

INSULATOR TEFLON



RECOMMENDED PCB HOLES



73413-0051	NON-MAGNETIC TYPE
73413-0050	GENERAL TYPE
PART NUMBER	DESCRIPTION

73413-0052	73413-0050, ONE PER BAG
73413-0051	BULK
73413-0050	BULK
PART NO.	PACKAGING

CHG: UPDATED DEPICTION OF BODY AND CONTACT AND CONTACT 4.85±0.25 WAS 4.92±0.25, 3.05±0.25 WAS 3.12±0.25 ADDED -0052

EC NO: URF2007-0301
 DRWNG:SSHAH 2007/01/29
 CHKD:FLAHERY 2007/01/29
 APPR:WIENER 2007/01/29

QUALITY SYMBOLS
 ▼=0
 ▽=0

DESCRIPTION
 A4

GENERAL TOLERANCES (UNLESS SPECIFIED)

	mm	INCH
4 PLACES	± .005	± .0002
3 PLACES	± .003	± .0001
2 PLACES	± .002	± .00008
1 PLACE	± .001	± .00004

ANGULAR ± 2°

DRAFT WHERE APPLICABLE MUST REMAIN WITHIN DIMENSIONS

DIMENSION STYLE MM/IN

DRAWN BY	DATE
JOHN	2005/03/24
CHECKED BY	DATE
PENNY	2005/03/24
APPROVED BY	DATE
MISEN	2005/03/24

MATERIAL NO. SEE TABLE

SCALE DESIGN UNITS METRIC

THIRD ANGLE PROJECTION

TITLE
 SSMCX, 50 OHM
 VERTICAL JACK PCB TYPE
 SSMCX-J/PCB

MOLEX INCORPORATED

DOCUMENT NO. SD-73413-005

SHEET NO. 1 OF 1

THIS DRAWING CONTAINS INFORMATION THAT IS PROPRIETARY TO MOLEX INCORPORATED AND SHOULD NOT BE USED WITHOUT WRITTEN PERMISSION

MATERIALS AND FINISHES

PART NO.73413-0050

BODY BRASS
PLATED GOLD

CENTER CONTACT BERYLLIUM COPPER
PLATED GOLD

INSULATOR TEFLON

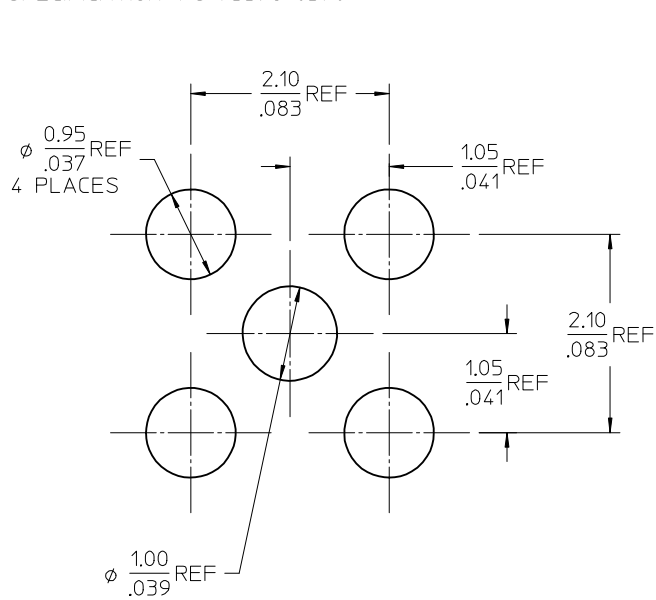
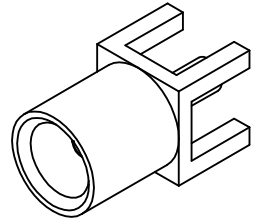
SPECIFICATION: PS-73598-0370

PART NO.73413-0051

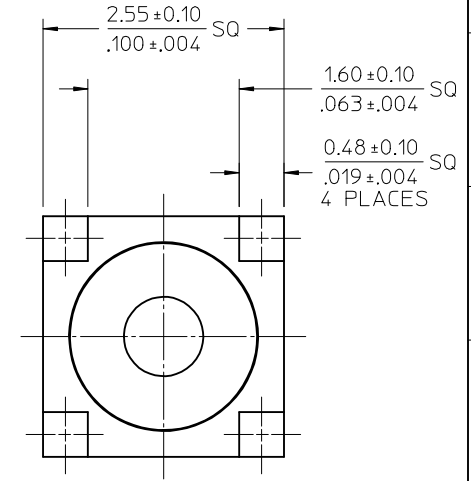
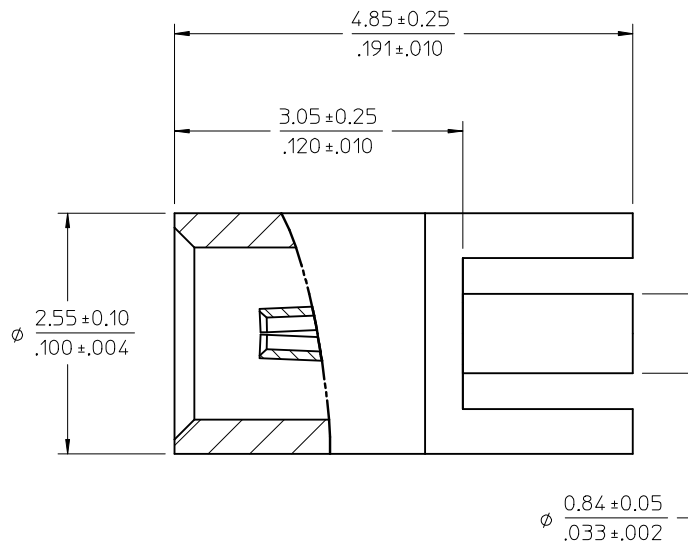
BODY BERYLLIUM COPPER
PLATED TRI-METAL

CENTER CONTACT BERYLLIUM COPPER
PLATED GOLD

INSULATOR TEFLON



RECOMMENDED PCB HOLES



73413-0051	NON-MAGNETIC TYPE
73413-0050	GENERAL TYPE
PART NUMBER	DESCRIPTION

73413-0052	73413-0050, ONE PER BAG
73413-0051	BULK
73413-0050	BULK
PART NO.	PACKAGING

CHG: UPDATED DEPICTION OF BODY AND CONTACT AND CONTACT 4.85±0.25 WAS 4.92±0.25, 3.05±0.25 WAS 3.12±0.25 ADDED -0052

EC NO: URF2007-0301
 DRWNS:SHAH 2007/01/29
 CHKD:FLAHERTY 2007/01/29
 APPR:WIENER 2007/01/29

QUALITY SYMBOLS
 ▼=0
 ▽=0

DESCRIPTION
 A4

GENERAL TOLERANCES (UNLESS SPECIFIED)

	mm	INCH
4 PLACES	± .005	± .0002
3 PLACES	± .003	± .0001
2 PLACES	± .002	± .00005
1 PLACE	± .001	± .00002

ANGULAR ± 2°

DRAFT WHERE APPLICABLE MUST REMAIN WITHIN DIMENSIONS

DIMENSION STYLE MM/IN

DRAWN BY JOHN DATE 2005/03/24
 CHECKED BY PENNY DATE 2005/03/24
 APPROVED BY MISEN DATE 2005/03/24

MATERIAL NO. SEE TABLE

SCALE METRIC

DESIGN UNITS METRIC

THIRD ANGLE PROJECTION

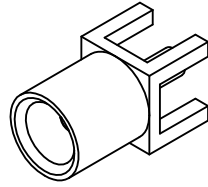
TITLE
 SSMCX, 50 OHM
 VERTICAL JACK PCB TYPE
 SSMCX-J/PCB

MOLEX INCORPORATED

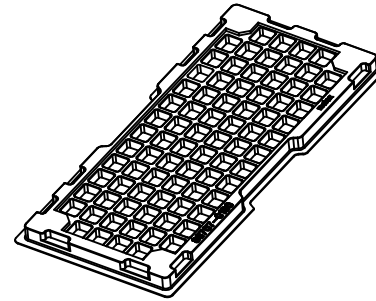
DOCUMENT NO. SD-73413-005

SHEET NO. 1 OF 1

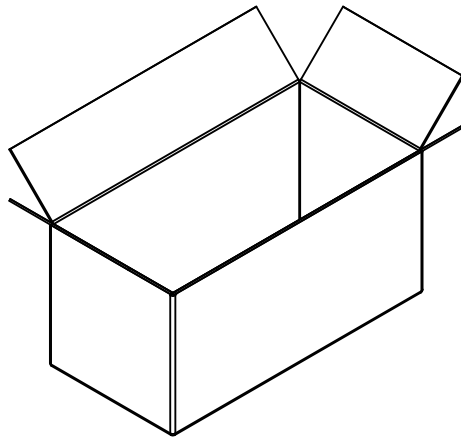
THIS DRAWING CONTAINS INFORMATION THAT IS PROPRIETARY TO MOLEX INCORPORATED AND SHOULD NOT BE USED WITHOUT WRITTEN PERMISSION



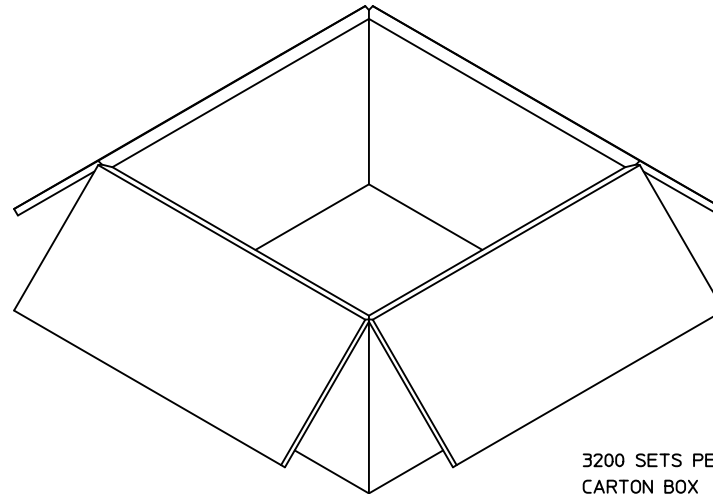
PART NO. 73413-0050



80 SETS PERE TRAY
TRAY P/N 89707-0190
360*165*18.6 MM

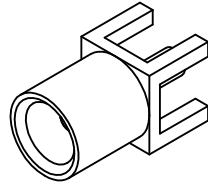


1600 SETS PER INNER
CARTON BOX
P/N 96707-0001
367*173*188 MM

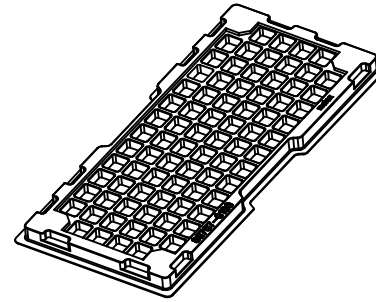


3200 SETS PER OUTER
CARTON BOX
P/N 96708-0005
385*367*206 MM

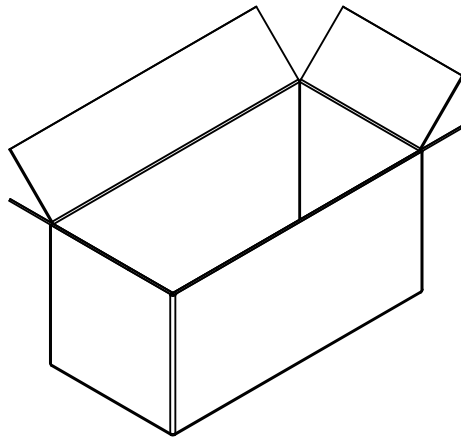
CHG NEW RELEASE CUSTOMER REQUEST ECR NO: URF 201205077	DRAWN: CHENG 2012/05/08 CHKD: APPR: MHUANG 2012/05/11	DESCRIPTION REV: A	QUALITY SYMBOLS	GENERAL TOLERANCES (UNLESS SPECIFIED)		DIMENSION STYLE	SCALE	DESIGN UNITS	THIRD ANGLE PROJECTION
			▽=0	mm	INCH	MM/IN	METRIC	TITLE PACKING FOR 73413-0050	
			▽=0	4 PLACES ± --- ± ---	3 PLACES ± --- ± ---	DRAWN BY DATE YCHENG 2012/05/08	CHECKED BY DATE		
			▽=0	2 PLACES ± --- ± ---	1 PLACE ± --- ± ---	0 PLACE ± --- ± ---	APPROVED BY DATE MHUANG 2012/05/11	MATERIAL NO.	DOCUMENT NO.
			ANGULAR ± 2 °		DRAFT WHERE APPLICABLE MUST REMAIN WITHIN DIMENSIONS		SD-73413-005PKG		1 OF 1
					SIZE C		THIS DRAWING CONTAINS INFORMATION THAT IS PROPRIETARY TO MOLEX INCORPORATED AND SHOULD NOT BE USED WITHOUT WRITTEN PERMISSION		



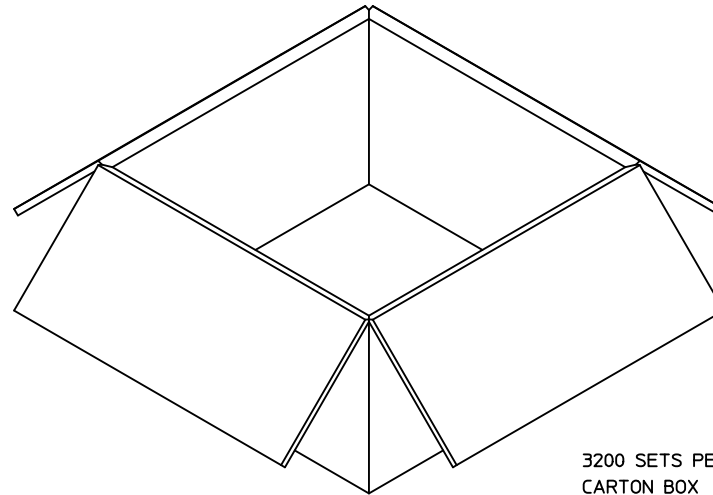
PART NO. 73413-0050



80 SETS PERE TRAY
TRAY P/N 89707-0190
360*165*18.6 MM



1600 SETS PER INNER
CARTON BOX
P/N 96707-0001
367*173*188 MM



3200 SETS PER OUTER
CARTON BOX
P/N 96708-0005
385*367*206 MM

CHG NEW RELEASE CUSTOMER REQUEST ECR NO: URF 201205077	DRAWN BY: CHENG 2012/05/08 CHKD: APPR: MHUANG 2012/05/11	DESCRIPTION DESCRIPTION	QUALITY SYMBOLS 	GENERAL TOLERANCES (UNLESS SPECIFIED) <table border="1"> <tr> <td></td> <td>mm</td> <td>INCH</td> </tr> <tr> <td>4 PLACES</td> <td>± ---</td> <td>± ---</td> </tr> <tr> <td>3 PLACES</td> <td>± ---</td> <td>± ---</td> </tr> <tr> <td>2 PLACES</td> <td>± ---</td> <td>± ---</td> </tr> <tr> <td>1 PLACE</td> <td>± ---</td> <td>± ---</td> </tr> <tr> <td>0 PLACE</td> <td>± ---</td> <td>± ---</td> </tr> </table>		mm	INCH	4 PLACES	± ---	± ---	3 PLACES	± ---	± ---	2 PLACES	± ---	± ---	1 PLACE	± ---	± ---	0 PLACE	± ---	± ---	DIMENSION STYLE MM/IN DRAWN BY: YCHENG DATE: 2012/05/08 CHECKED BY: DATE:	SCALE DESIGN UNITS METRIC THIRD ANGLE PROJECTION	TITLE PACKING FOR 73413-0050
		mm	INCH																						
	4 PLACES	± ---	± ---																						
	3 PLACES	± ---	± ---																						
2 PLACES	± ---	± ---																							
1 PLACE	± ---	± ---																							
0 PLACE	± ---	± ---																							
REV: A	DRAFT WHERE APPLICABLE MUST REMAIN WITHIN DIMENSIONS	ANGULAR ± 2 °	APPROVED BY: MHUANG DATE: 2012/05/11	MATERIAL NO. -----	DOCUMENT NO. SD-73413-005PKG	SHEET NO. 1 OF 1																			
THIS DRAWING CONTAINS INFORMATION THAT IS PROPRIETARY TO MOLEX INCORPORATED AND SHOULD NOT BE USED WITHOUT WRITTEN PERMISSION																									
SIZE C																									