

10 9 8 7 6 5 4 3 2 1

F

F

E

E

D

D

C

C

B

B

A

A



53261-****	WAFER ASSY	MODEL NO./MATERIAL NO.
50079-****	TERMINAL	
51021-****	HOUSING	

RELEASED EC NO: J2006-2426 DRWN: A0YAGI 2006/02/02 CHKD: YMAEDA 2006/02/03 APPR: NUKITA 2006/02/07	GENERAL TOLERANCES (UNLESS SPECIFIED)		DIMENSION STYLE MM ONLY		SCALE ---	DESIGN UNITS METRIC	THIRD ANGLE PROJECTION	
	10 UNDER	± ---	DRAWN BY Y. A0YAGI	DATE 2006/01/30	TITLE 1.25 W-TO-B CONN. 51021,53261 MATING CROSS SECTION			
	10 OVER 30 UNDER	± ---	CHECKED BY Y. MAEDA	DATE 2006/01/30	MOLEX INCORPORATED			
	30 OVER	± ---	APPROVED BY N. UKITA	DATE 2006/01/30	DOCUMENT NO. SD-51021-002			
	ANGULAR	± --- °	MATERIAL NO. SEE CHART		SHEET NO. 1 OF 1			
0	DRAFT WHERE APPLICABLE MUST REMAIN WITHIN DIMENSIONS		SIZE A3		THIS DRAWING CONTAINS INFORMATION THAT IS PROPRIETARY TO MOLEX INCORPORATED AND SHOULD NOT BE USED WITHOUT WRITTEN PERMISSION			

9

8

7

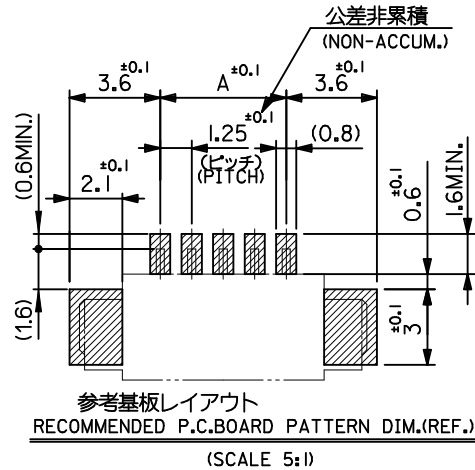
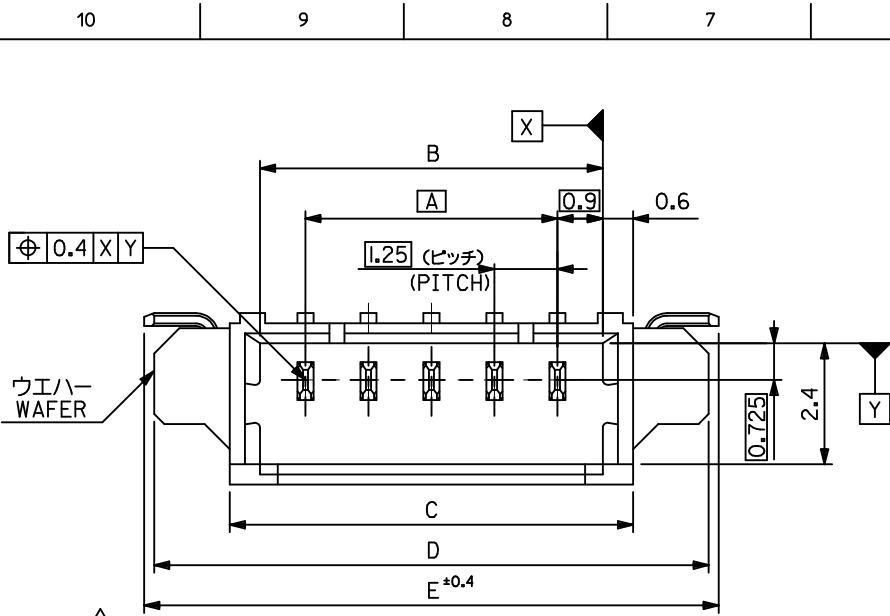
6

5

4

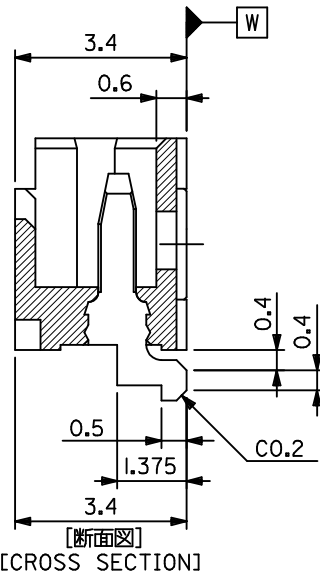
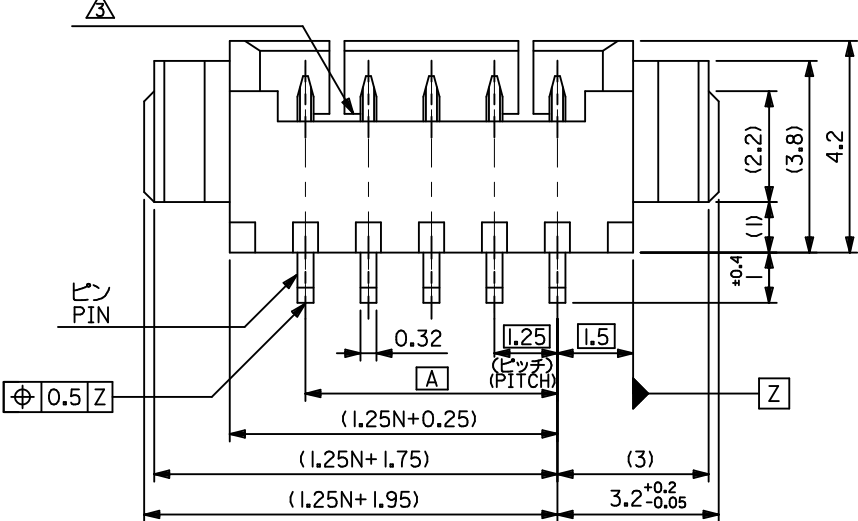
3

2

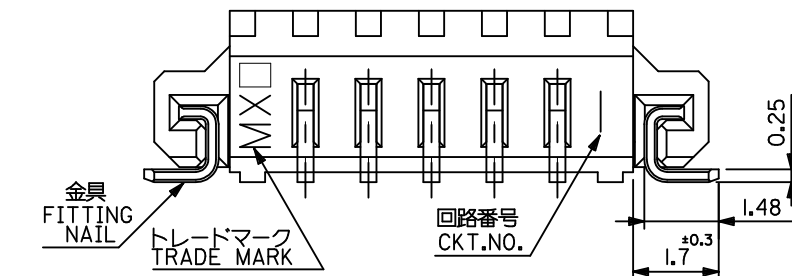


注記 NOTES

1. 嵌合相手: 51021 シリズ  
MATES WITH: 51021 SERIES
2. 材質 MATERIAL  
ウエハー: NYLON46, UL94V-0  
ピン: リン青銅, 半田メッキ  
PIN: PHOS-BRO., Sn-Pb(9:1) 3 μmMIN.  
OVER Cu 1 μmMIN.  
PLATING  
金具: リン青銅, 半田メッキ  
FITTING NAIL: PHOS-BRO., Sn-Pb(9:1) 2 μmMIN.  
OVER Cu 1 μmMIN.  
PLATING
- △ ロック窓は2、3種は1箇所、4種以上は2箇所とする。  
LOCKING WINDOW: ONE PLACE FOR 2 AND 3 CKT. AND TWO PLACES FOR MORE THAN 3 CKT.
4. ソルダテール部のズレ量及び金具(補強板)のズレ量は基準面[W]に対し、上方向0.05MAX.、下方向に0.1MAX.とする。  
OFFSET BETWEEN BASIS PLANE [W] TO SOLDER TAIL BOTTOM AND FITTING NAIL BOTTOM: UPPER SIDE: 0.05MAX. LOWER SIDE: 0.1MAX.

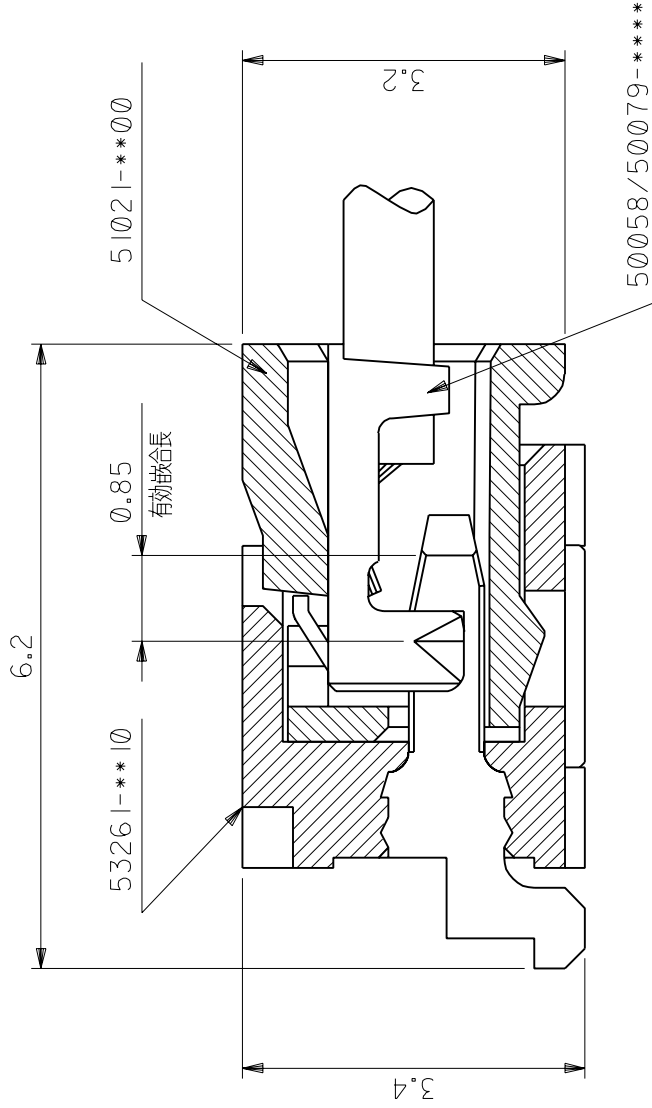


23.9	23.5	20.5	19.3	17.5	53261-1510	15
22.65	22.25	19.25	18.05	16.25	-1410	14
21.4	21	18	16.8	15	-1310	13
20.15	19.75	16.75	15.55	13.75	-1210	12
18.9	18.5	15.5	14.3	12.5	-1110	11
17.65	17.25	14.25	13.05	11.25	-1010	10
16.4	16	13	11.8	10	-0910	9
15.15	14.75	11.75	10.55	8.75	-0810	8
13.9	13.5	10.5	9.3	7.5	-0710	7
12.65	12.25	9.25	8.05	6.25	-0610	6
11.4	11	8	6.8	5	-0510	5
10.15	9.75	6.75	5.55	3.75	-0410	4
8.9	8.5	5.5	4.3	2.5	-0310	3
7.65	7.25	4.25	3.05	1.25	53261-0210	2
E	D	C	B	A	ENG. NO.	極数 CKT.



REVISED EC NO: J2012-1315 2012/04/17 DRWN: NITO CHKD: KASAKAWA 2012/04/17 APPR: YOITO 2012/04/26	DESCRIPTION	GENERAL TOLERANCES (UNLESS SPECIFIED)		DIMENSION STYLE		SCALE		DESIGN UNITS		THIRD ANGLE PROJECTION
		10 UNDER ±0.2		MM ONLY		10:1		METRIC		
		10 OVER 30 UNDER ±0.25		DRAWN BY DATE		TITLE		1.25 WIRE TO BOARD WAFER ASS FOR SMT RIGHT ANGLE		
		30 OVER ±0.3		NITO 2012/04/17		SEE DRAWING				
ANGULAR ±3 °		DRAFT WHERE APPLICABLE MUST REMAIN WITHIN DIMENSIONS		MATERIAL NO.		DOCUMENT NO.		SHEET NO.		
				SEE DRAWING		SD-53261-054		1 OF 1		
				SIZE A3		THIS DRAWING CONTAINS INFORMATION THAT IS PROPRIETARY TO MOLEX INCORPORATED AND SHOULD NOT BE USED WITHOUT WRITTEN PERMISSION				

DWG. NO.  
SD-53261/51021



角度	ANGLE	±3°
30以上	OVER	±0.3
10以上	未満	+0.25
10以上	未満	±0.2
10以上	未満	±0.2
一般公差		
GENERAL TOLERANCES		

MM : DIMENSIONS IN METRIC DO NOT SCALE DRAWING

新製 RELEASED	(JC00036)	T.A	'99/7/14	CHK'D BY '99/7/14	T.YAMAGUCHI
記号 LTR	変更内録 REVISION RECORD	DR.	日付 DATE	尺度 SCALE	15:1
				DRAWN BY '99/7/14	
				T.ASAKAWA	
				APPD BY '99/7/14	
				M.FUKUSHIMA	
				適用電線範囲 WIRE RANGE	
				被覆外径 INS. RANGE	
				仕上げ FINISH	
				材料 MATERIAL	

MOLEX-JAPAN CO.,LTD.  
moLEX 日本モレックス株式会社

REVISE ONLY ON CAD SYSTEM  
TITLE 名称

53261/51021

MATING CROSS SECTION

DWG. NO. SD-53261/51021  
REV 0

THIS DRAWING CONTAINS INFORMATION THAT IS PROPRIETARY TO MOLEX(JAPAN) AND SHOULD NOT BE USED WITHOUT WRITTEN PERMISSION

本図面は日本モレックス(株)の所有する情報を含むもので、当社の許可なく複製を禁止する。

FNI-01C(032)MX11-33

53261/51021