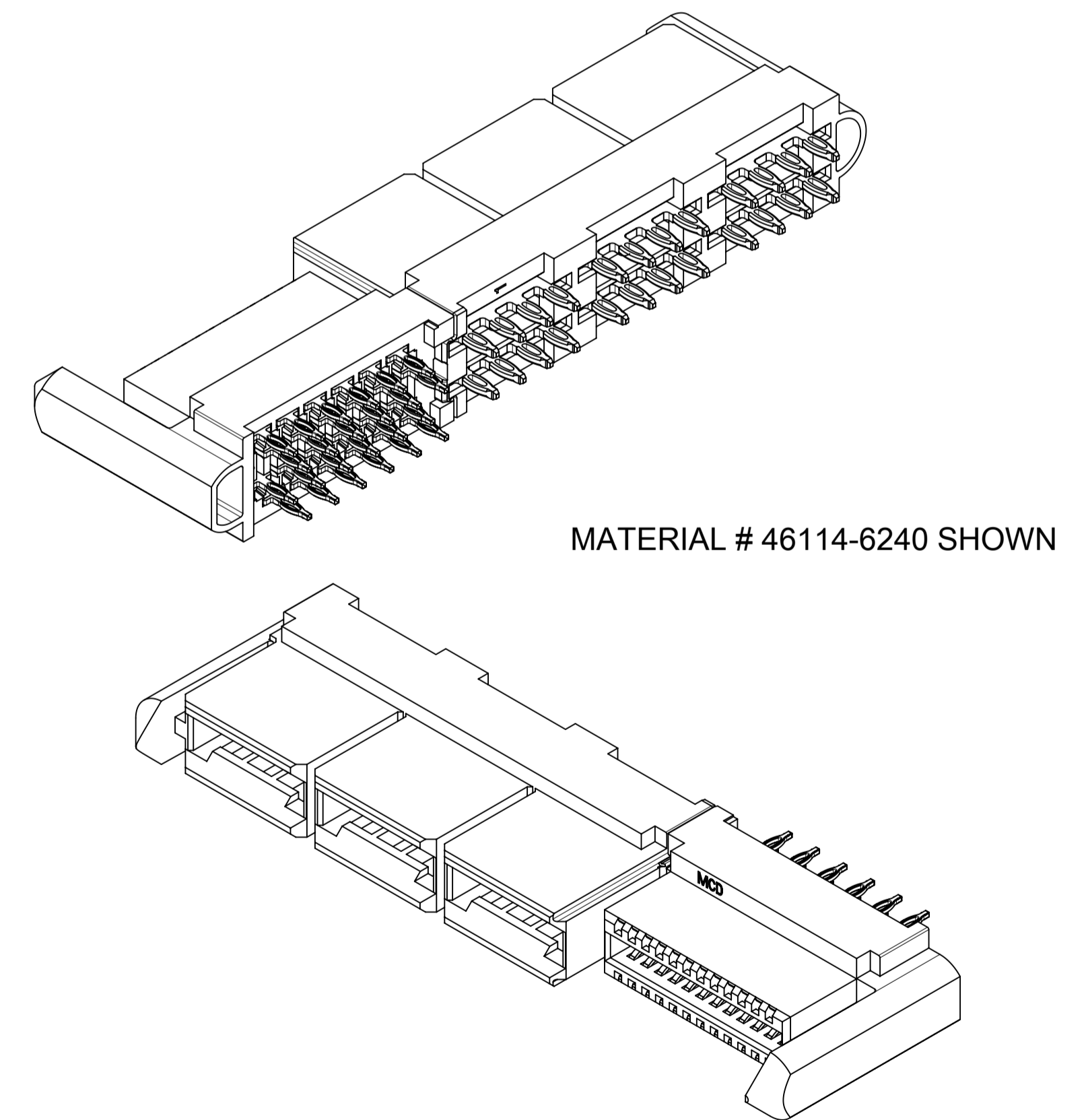


PCB COMPONENT SIDE  
par2-of-top2  
SCALE 3:1

| NO OF SIGNALS | MATERIAL NUMBER | COMPLIANT PIN PLATING | DIM A       | DIM B       | DIM C     |
|---------------|-----------------|-----------------------|-------------|-------------|-----------|
| 12            | 46114-6120      | TIN                   | 53.01/2.087 | 53.51/2.107 | 5.45/.215 |
| 16            | 46114-6160      | TIN                   | 55.55/2.187 | 56.05/2.207 |           |
| 20            | 46114-6200      | TIN                   | 58.09/2.287 | 58.59/2.307 |           |
| 24            | 46114-6240      | TIN                   | 60.63/2.387 | 61.13/2.407 |           |
| 28            | 46114-6280      | TIN                   | 63.17/2.487 | 63.67/2.507 |           |
| 32            | 46114-6320      | TIN                   | 65.71/2.587 | 66.21/2.607 |           |
| 36            | 46114-6360      | TIN                   | 68.25/2.687 | 68.75/2.707 |           |
| 40            | 46114-6400      | TIN                   | 70.79/2.787 | 71.29/2.807 |           |

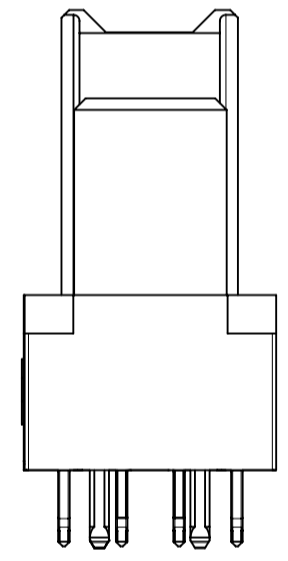
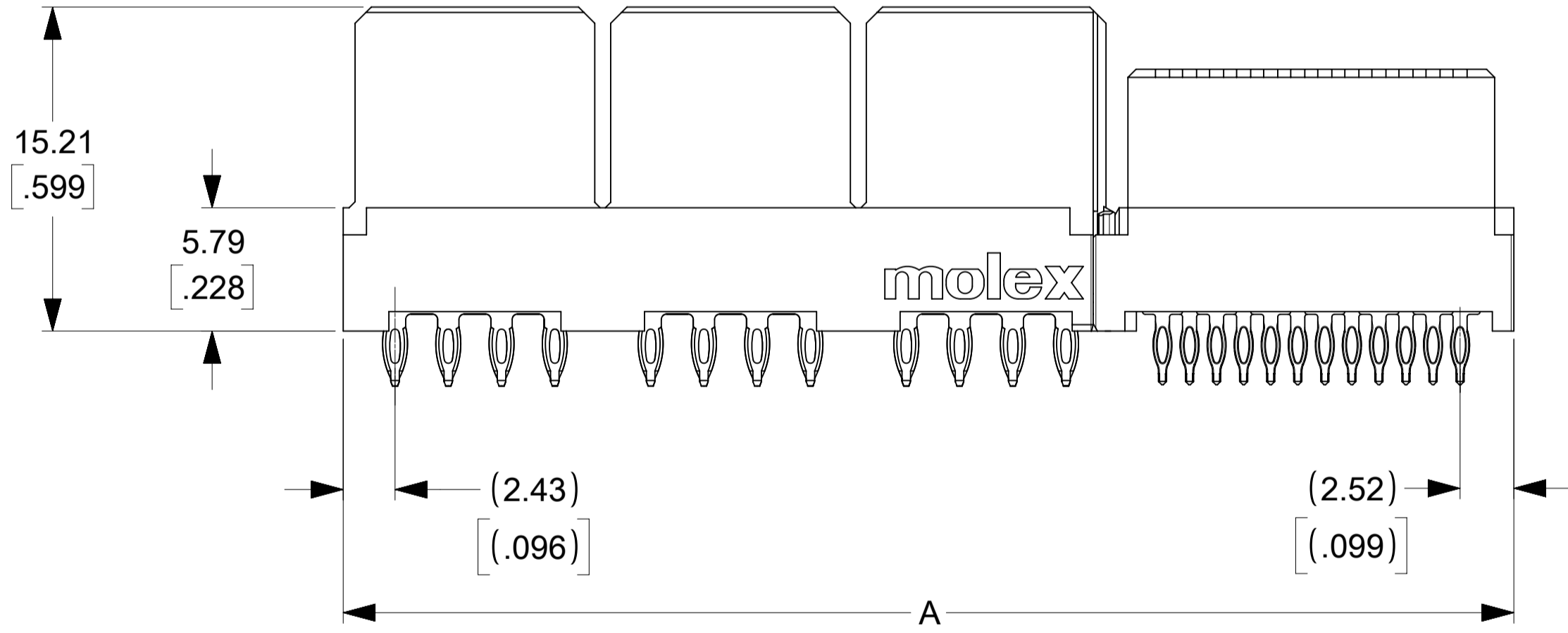
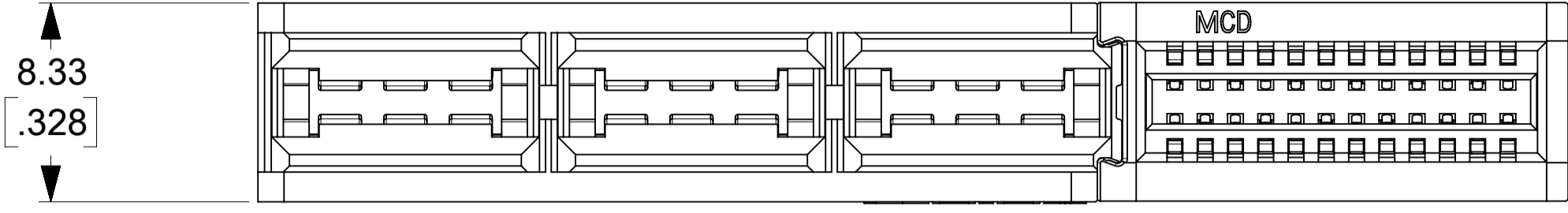
NOTES:

- MATERIAL: HOUSING: LCP, 94-VO, COLOR: BLACK.  
POWER CONTACTS: COPPER ALLOY.  
SIGNAL CONTACTS: MODIFIED TIN BRASS.
- FINISH: SELECT GOLD - 0.75 μM/30 μ INCHES  
SELECTED TIN - 2.50 μM/100 μ INCHES  
BOTH OVER NICKEL - 1.25 μM/50 μ INCHES
- POWER TERMINALS ARE LUBRICATED IN CONTACT AREA.
- PARTS ARE RoHS COMPLIANT.
- MATES TO MOLEX P/N 45985-SERIES OR EDGE CARD 1.57/.062.
- PRODUCT SPECIFICATION PS-46114-001.
- PACKAGING: PER PK-46114-003.

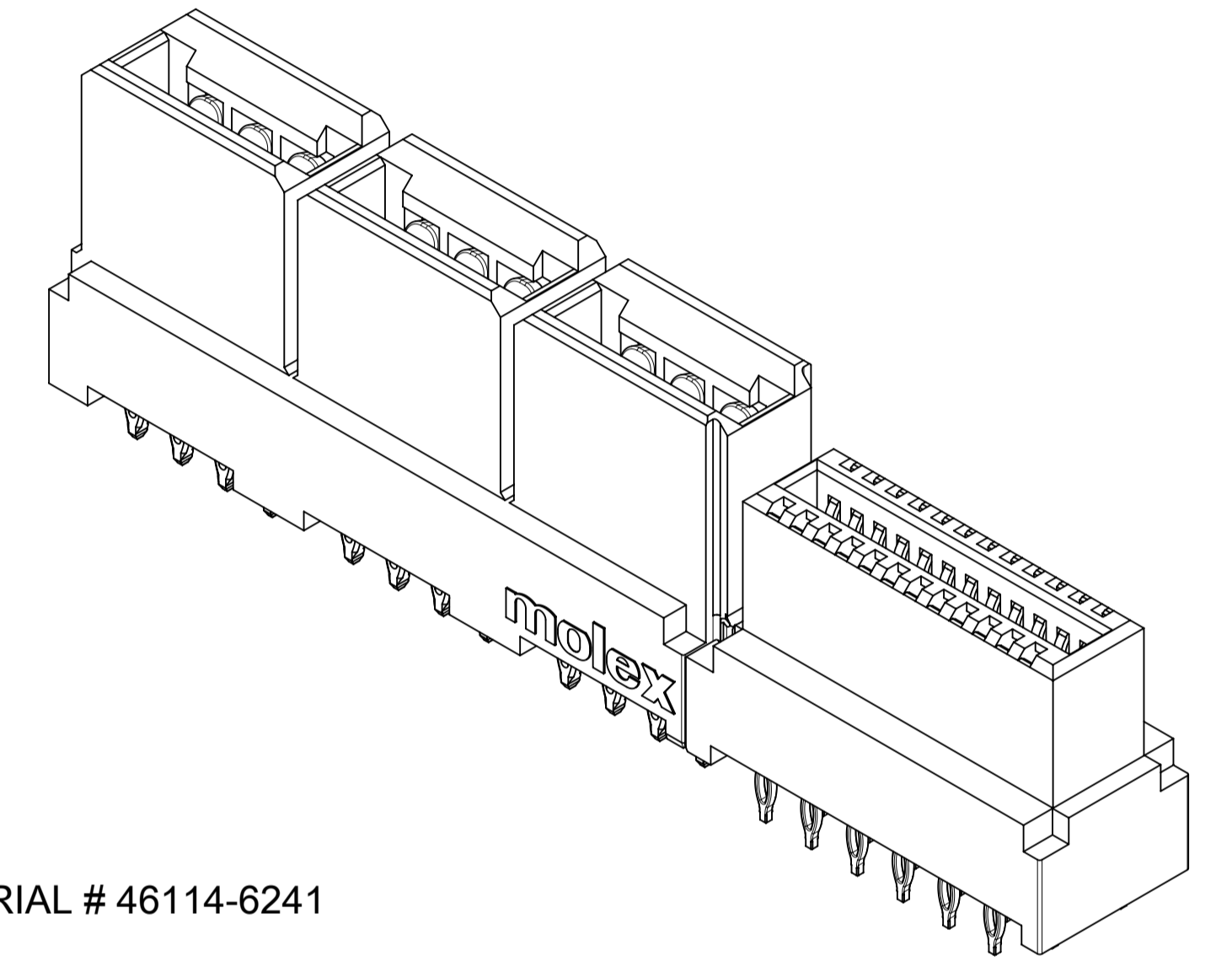


THIS DRAWING CONTAINS INFORMATION THAT IS PROPRIETARY TO MOLEX ELECTRONIC TECHNOLOGIES, LLC AND SHOULD NOT BE USED WITHOUT WRITTEN PERMISSION

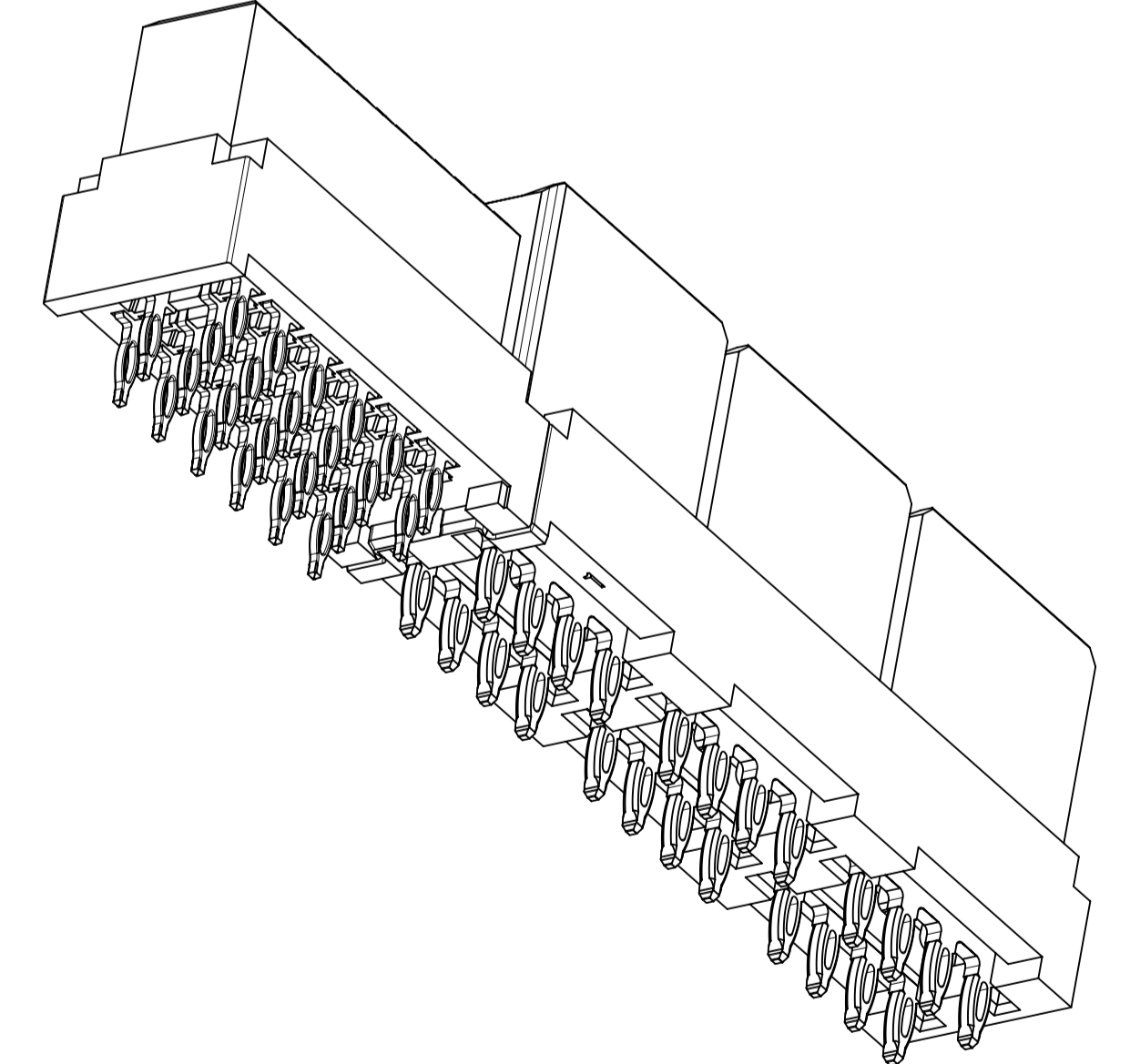
|  |  |                            |                                 |   |  |
|--|--|----------------------------|---------------------------------|---|--|
| ADD 459854572<br>EC NO. 121352<br>DRWN: NVELUSAMY<br>CHKD: JZENG<br>REV APPR: KHLIM 2017/10/26 | GENERAL TOLERANCES (UNLESS SPECIFIED)<br>MM [INCH] |                            | DIMENSION UNITS<br>SCALE<br>3:1 |   |  |
|  | DRWN BY<br>MKARADIMAS                              |                            | DATE<br>2005/11/28              |   |  |
|  | CHK'D BY<br>APATEL                                 |                            | DATE<br>10/13/06                |   |  |
|  | APPR BY<br>JCOMERCI                                |                            | DATE<br>2009/12/03              |   |  |
| 4 PLACES ± ±<br>3 PLACES ± ± 0.01<br>2 PLACES ± 0.25 ±<br>1 PLACES ± ±<br>0 PLACES ± ±         |  | ANGULAR TOL ± 0.5          |                                 | DRAWING SIZE<br>THIRD ANGLE PROJECTION  |  |
| DRAFT WHERE APPLICABLE<br>MUST REMAIN WITHIN DIMENSIONS  |  | A1                         |                                 | SERIES<br>46114   |  |
| MOLEX MATERIAL NUMBER<br>SEE CHART   |  | CUSTOMER<br>GENERAL MARKET |                                 | PRODUCT CUSTOMER DRAWING<br>LPH VERTICAL RECEPTACLE ASSEMBLY 6 CIRCUIT PWR CONNECTOR, PRESS FIT |  |
| DOCUMENT NUMBER<br>SD-46114-600  |  | DOC TYPE<br>PSD            |                                 | DOC PART<br>001   |  |
| SHEET NUMBER<br>1 OF 3   |  |                            |                                 |   |  |



| NO OF SIGNALS | MATERIAL NUMBER | COMPLIANT PIN PLATING | DIM A       | DIM B       | DIM C     |
|---------------|-----------------|-----------------------|-------------|-------------|-----------|
| 12            | 46114-6121      | TIN                   | 47.34/1.864 | 47.84/1.883 | 2.69/1.06 |
| 16            | 46114-6161      | TIN                   | 49.88/1.964 | 50.38/1.983 |           |
| 20            | 46114-6201      | TIN                   | 52.42/2.064 | 52.92/2.083 |           |
| 24            | 46114-6241      | TIN                   | 54.96/2.164 | 55.46/2.183 |           |
| 28            | 46114-6281      | TIN                   | 57.50/2.264 | 58.00/2.283 |           |
| 32            | 46114-6321      | TIN                   | 60.04/2.364 | 60.54/2.383 |           |
| 36            | 46114-6361      | TIN                   | 62.58/2.464 | 63.08/2.483 |           |
| 40            | 46114-6401      | TIN                   | 65.12/2.564 | 65.62/2.583 |           |



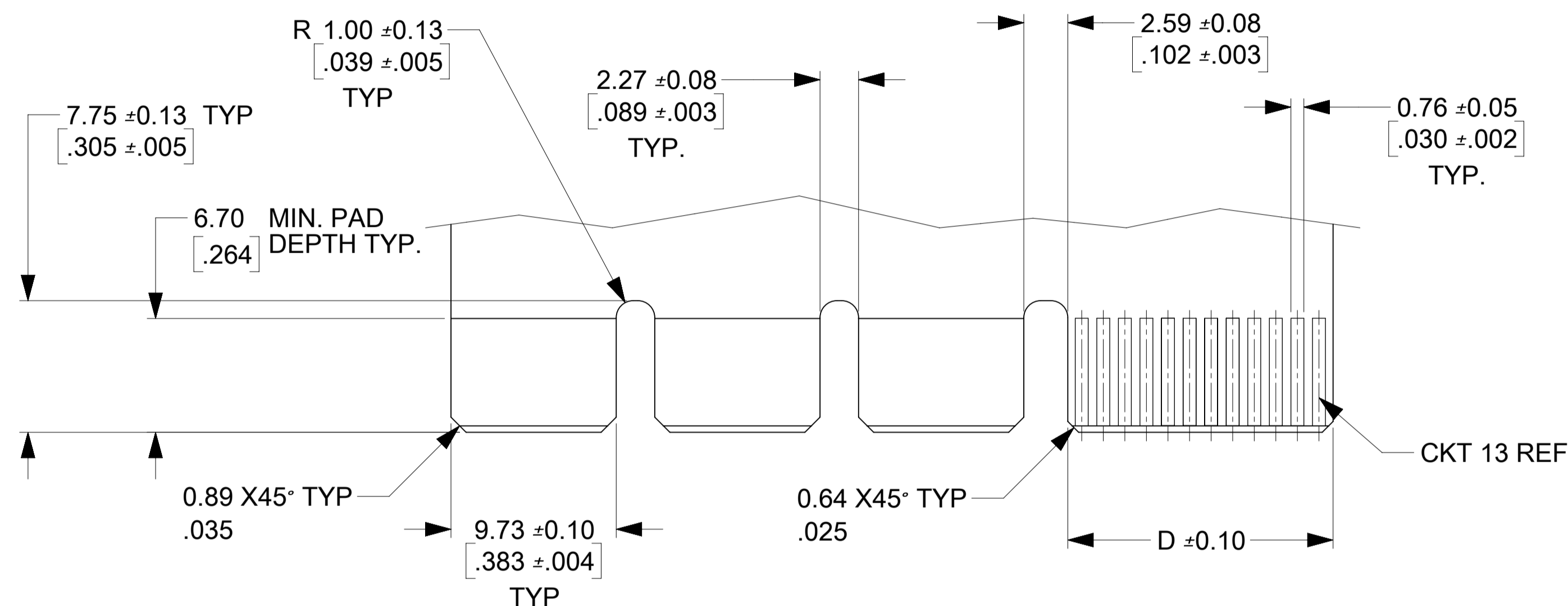
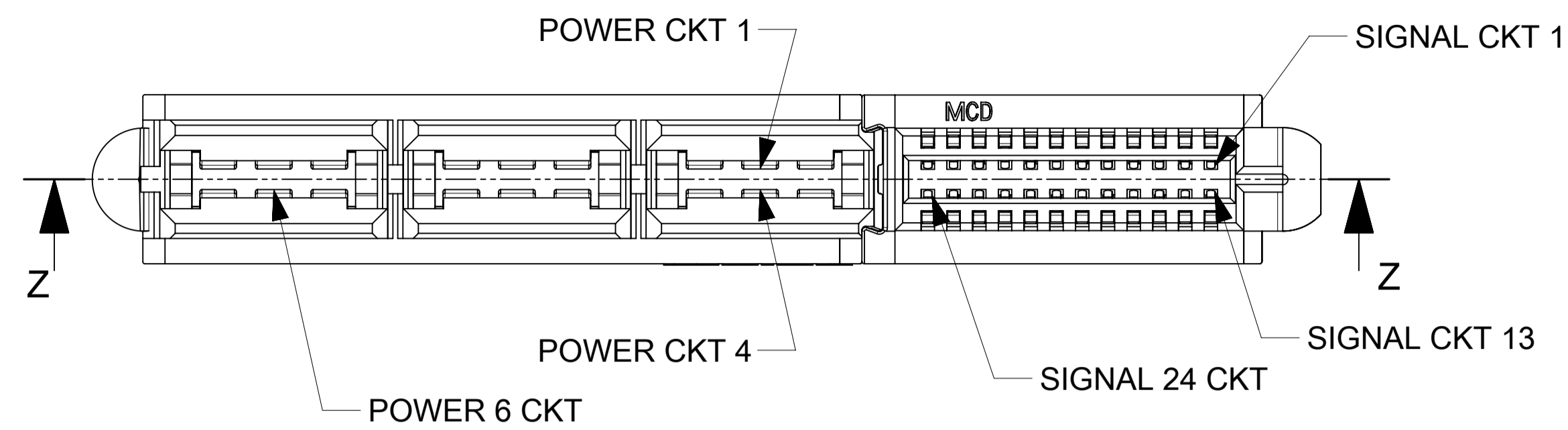
MATERIAL # 46114-6241



THIS DRAWING CONTAINS INFORMATION THAT IS PROPRIETARY TO MOLEX ELECTRONIC TECHNOLOGIES, LLC AND SHOULD NOT BE USED WITHOUT WRITTEN PERMISSION

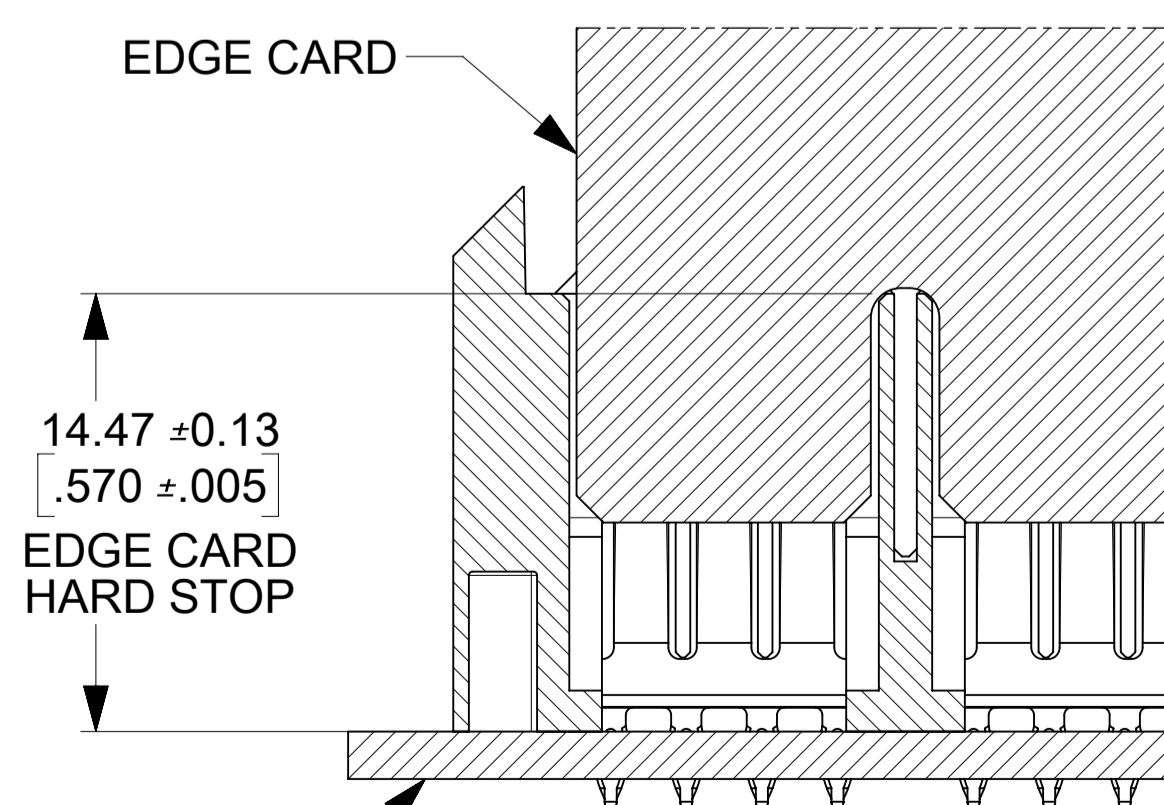
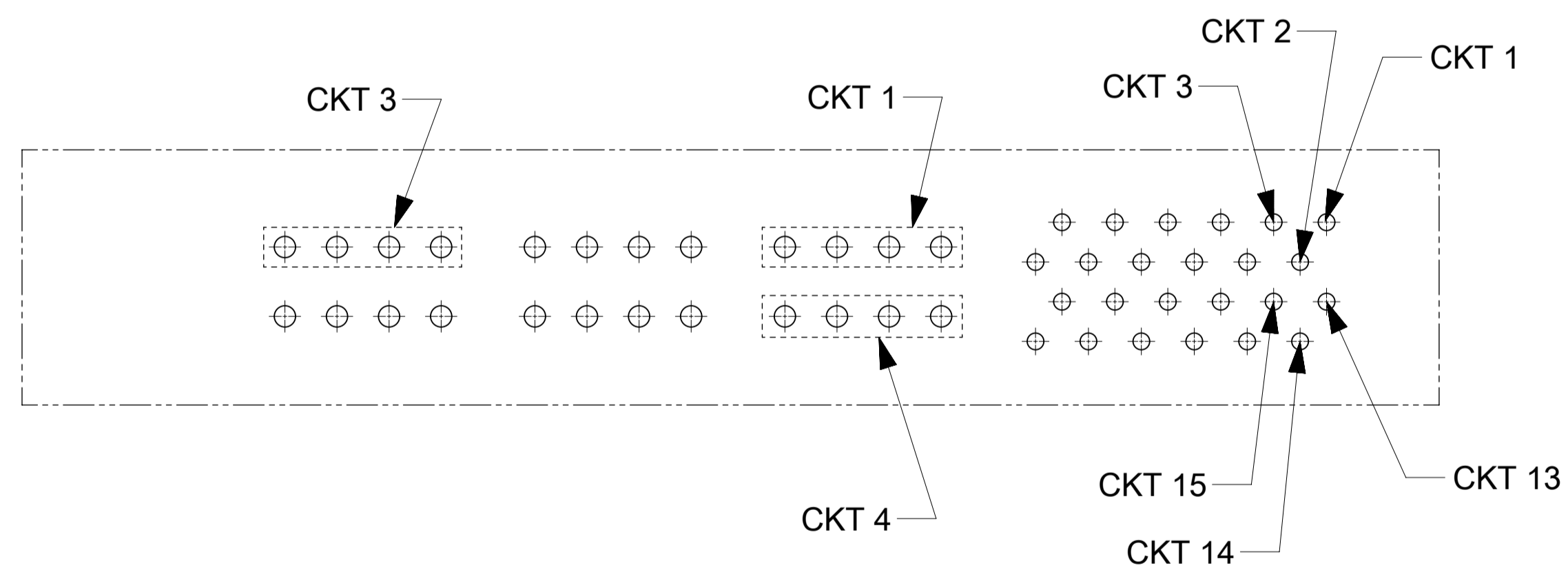
| ADD 459854572<br>EC NO. 121352<br>DRWN: NVELUSAMY<br>CHKD: JZENG<br>REV: APPR: KHLIM<br>2017/08/21<br>2017/09/05<br>2017/10/26 | GENERAL TOLERANCES (UNLESS SPECIFIED)   |   | DIMENSION UNITS: MM [INCH] | SCALE: 4:1 |   |      |          |   |   |          |   |        |          |        |   |          |   |   |          |   |   |   |                                    |   |
|--|---|---|----------------------------|------------|---|------|----------|---|---|----------|---|--------|----------|--------|---|----------|---|---|----------|---|---|---|------------------------------------|---|
|  | <table border="1"> <tr> <th></th> <th>MM</th> <th>INCH</th> </tr> <tr> <td>4 PLACES</td> <td>±</td> <td>±</td> </tr> <tr> <td>3 PLACES</td> <td>±</td> <td>± 0.01</td> </tr> <tr> <td>2 PLACES</td> <td>± 0.25</td> <td>±</td> </tr> <tr> <td>1 PLACES</td> <td>±</td> <td>±</td> </tr> <tr> <td>0 PLACES</td> <td>±</td> <td>±</td> </tr> </table> |   |                            | MM         |   | INCH | 4 PLACES | ± | ± | 3 PLACES | ± | ± 0.01 | 2 PLACES | ± 0.25 | ± | 1 PLACES | ± | ± | 0 PLACES | ± | ± | DRWN BY: MKARADIMAS<br>DATE: 2005/11/28 | CHK'D BY: APATEL<br>DATE: 10/13/06 | LPH VERTICAL RECEPTACLE ASSEMBLY 6 CIRCUIT PWR CONNECTOR, PRESS FIT |
|  |   | MM  | INCH                       |            |   |      |          |   |   |          |   |        |          |        |   |          |   |   |          |   |   |   |                                    |   |
|  | 4 PLACES  | ±   | ±                          |            |   |      |          |   |   |          |   |        |          |        |   |          |   |   |          |   |   |   |                                    |   |
| 3 PLACES   | ±   | ± 0.01  |                            |            |   |      |          |   |   |          |   |        |          |        |   |          |   |   |          |   |   |   |                                    |   |
| 2 PLACES   | ± 0.25  | ±   |                            |            |   |      |          |   |   |          |   |        |          |        |   |          |   |   |          |   |   |   |                                    |   |
| 1 PLACES   | ±   | ±   |                            |            |   |      |          |   |   |          |   |        |          |        |   |          |   |   |          |   |   |   |                                    |   |
| 0 PLACES   | ±   | ±   |                            |            |   |      |          |   |   |          |   |        |          |        |   |          |   |   |          |   |   |   |                                    |   |
| ANGULAR TOL ± 0.5  |   | APPR BY: JCOMERCI<br>DATE: 2009/12/03   | PRODUCT CUSTOMER DRAWING   |            |   |      |          |   |   |          |   |        |          |        |   |          |   |   |          |   |   |   |                                    |   |
| DRAFT WHERE APPLICABLE MUST REMAIN WITHIN DIMENSIONS   |   | DRAWING SIZE: A1  | THIRD ANGLE PROJECTION     |            | SERIES: 46114<br>MATERIAL NUMBER: SEE CHART<br>CUSTOMER: GENERAL MARKET |      |          |   |   |          |   |        |          |        |   |          |   |   |          |   |   |   |                                    |   |
| RELEASE STATUS: P1<br>RELEASE DATE: 26.10.2017 07:45:35  |   | DOCUMENT NUMBER: SD-46114-600<br>DOC TYPE: PSD<br>DOC PART: 001<br>SHEET NUMBER: 2 OF 3 |                            |            |   |      |          |   |   |          |   |        |          |        |   |          |   |   |          |   |   |   |                                    |   |

| NO OF SIGNAL | DIM D       |
|--------------|-------------|
| 12           | 8.00/.315   |
| 16           | 10.54/.415  |
| 20           | 13.08/.515  |
| 24           | 15.62/.615  |
| 28           | 18.16/.715  |
| 32           | 20.70/.815  |
| 36           | 23.24/.915  |
| 40           | 25.78/1.015 |



RECOMMENDED EDGE CARD LAYOUT  
EDGE CARD THICKNESS: 1.57/.062 ± 0.15/.006  
PLATING: GOLD 30 ± INCHES MIN.  
OVER 150 ± INCHES NICKEL.

0.38 X45° TYP  
.015



SECTION Z-Z  
SCALE 4:1

THIS DRAWING CONTAINS INFORMATION THAT IS PROPRIETARY TO MOLEX ELECTRONIC TECHNOLOGIES, LLC AND SHOULD NOT BE USED WITHOUT WRITTEN PERMISSION

|   |                                       |              |                 |                        |                 |            |
|---|---------------------------------------|--------------|-----------------|------------------------|-----------------|------------|
| ADD 459854572<br>EC NO. 121352<br>DRWN: NVELUSAMY<br>CHKD: JZENG<br>REV APPR: KHLIM<br>2017/08/21<br>2017/09/05<br>2017/10/26 | GENERAL TOLERANCES (UNLESS SPECIFIED) |              | DIMENSION UNITS | SCALE                  |                 |            |
|   |                                       |              | MM [INCH]       | 4:1                    |                 |            |
|   | 4 PLACES                              | ±            | ±               | DRWN BY                |                 | DATE       |
|   | 3 PLACES                              | ±            | ± 0.01          | MKARADIMAS             |                 | 2005/11/28 |
|   | 2 PLACES                              | ±            | ± 0.25          | CHK'D BY               |                 | DATE       |
| 1 PLACES  | ±                                     | ±            | APATEL          | 10/13/06               |                 |            |
| 0 PLACES  | ±                                     | ±            | APPR BY         | DATE                   |                 |            |
| ANGULAR TOL ± 0.5   |                                       | DRAWING SIZE |                 | THIRD ANGLE PROJECTION | JCOMERCI        |            |
| DRAFT WHERE APPLICABLE MUST REMAIN WITHIN DIMENSIONS  |                                       | A1           |                 | 2009/12/03             |                 |            |
|   |                                       |              |                 | SERIES                 | MATERIAL NUMBER |            |
|   |                                       |              |                 | 46114                  | SEE CHART       |            |
|   |                                       |              |                 | CUSTOMER               |                 |            |
|   |                                       |              |                 | GENERAL MARKET         |                 |            |
|   |                                       |              |                 | DOCUMENT NUMBER        | DOC TYPE        |            |
|   |                                       |              |                 | SD-46114-600           | PSD             |            |
|   |                                       |              |                 | DOC PART               | SHEET NUMBER    |            |
|   |                                       |              |                 | 001                    | 3 OF 3          |            |