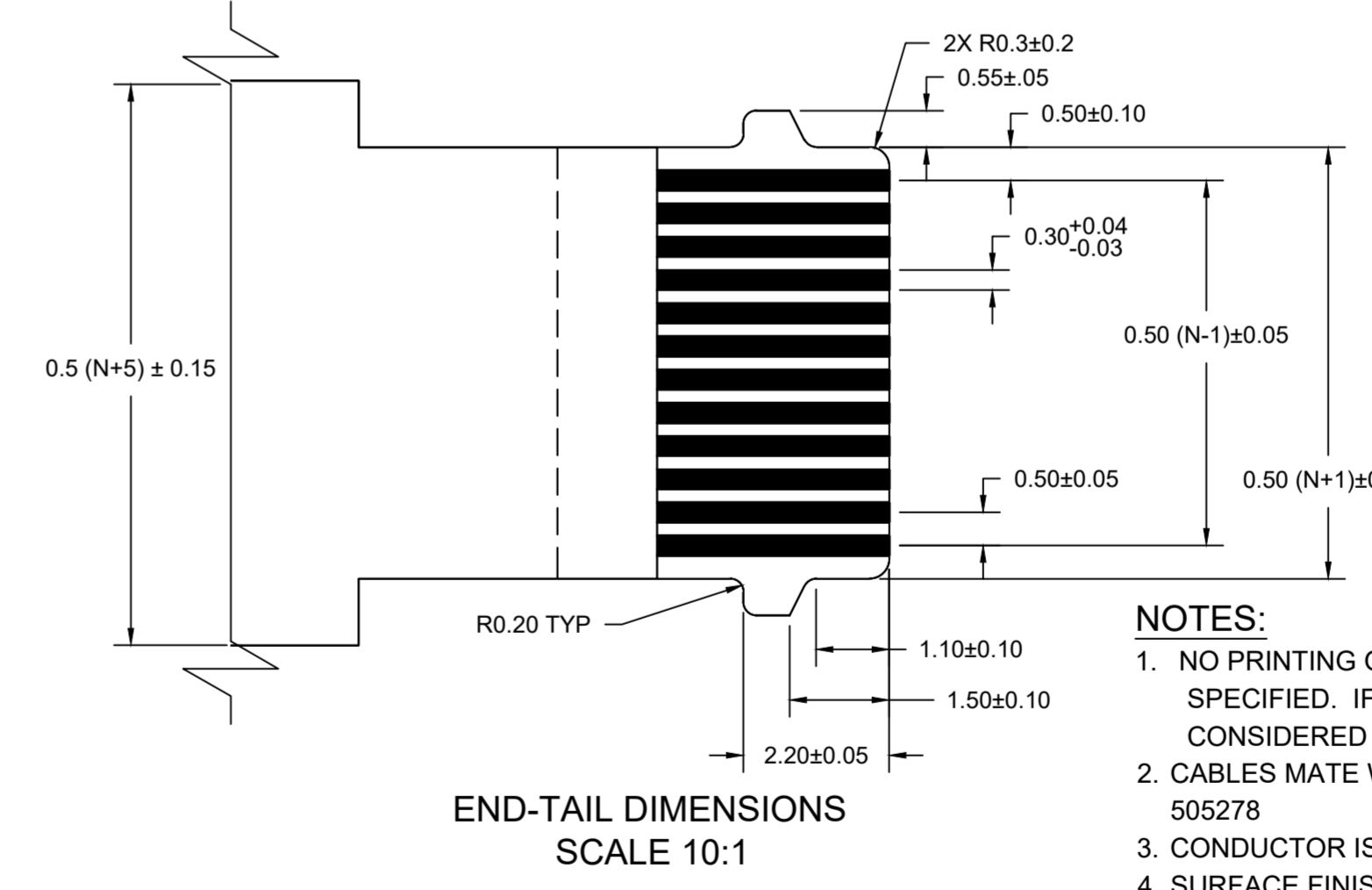
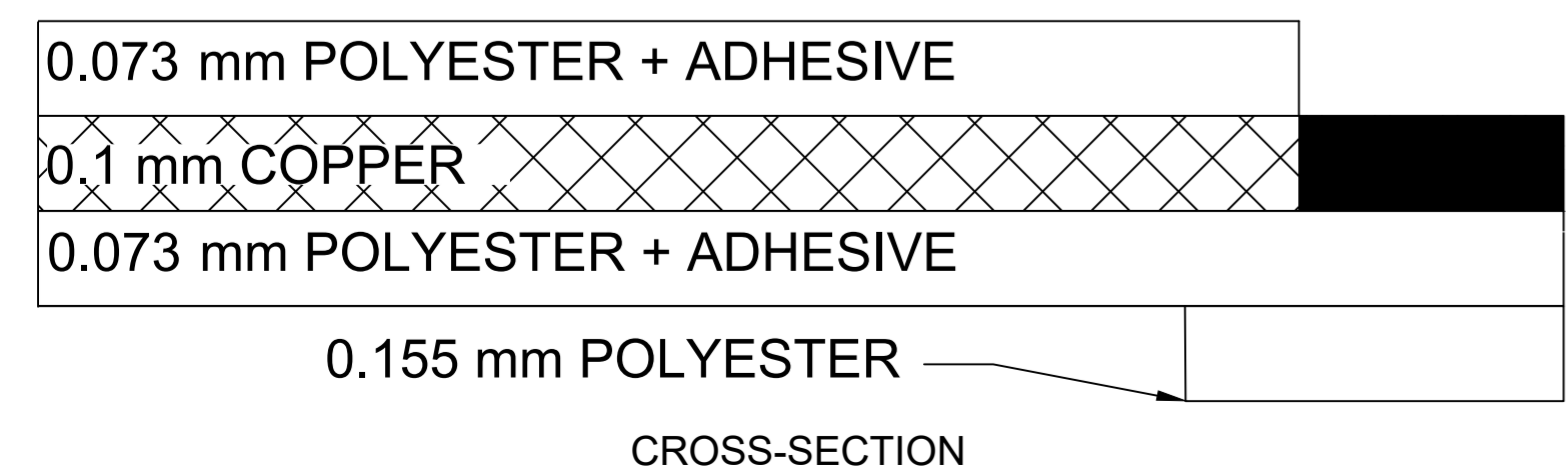


	12	11	10	9	8	7	6	5	4	3	2	1								
"L" DIM. →	51 ± 2 MM		76 ± 3 MM		102 ± 3 MM		127 ± 4 MM		152 ± 4 MM		178 ± 4 MM		203 ± 4 MM		229 ± 5 MM		254 ± 5 MM		305 ± 5 MM	
REF DIM →	(2 INCHES)		(3 INCHES)		(4 INCHES)		(5 INCHES)		(6 INCHES)		(7 INCHES)		(8 INCHES)		(9 INCHES)		(10 INCHES)		(12 INCHES)	
CABLE TYPE →	A		D		A		D		A		D		A		D		A		D	
CIRCUITS ↓	A		D		A		D		A		D		A		D		A		D	
4	154660204	154661204	154660304	154661304	154660404	154661404	154660504	154661504	154660604	154661604	154660704	154661704	154660804	154661804	154660904	154661904	154660004	154661004	154660104	154661104
5	154660205	154661205	154660305	154661305	154660405	154661405	154660505	154661505	154660605	154661605	154660705	154661705	154660805	154661805	154660905	154661905	154660005	154661005	154660105	154661105
6	154660206	154661206	154660306	154661306	154660406	154661406	154660506	154661506	154660606	154661606	154660706	154661706	154660806	154661806	154660906	154661906	154660006	154661006	154660106	154661106
7	154660207	154661207	154660307	154661307	154660407	154661407	154660507	154661507	154660607	154661607	154660707	154661707	154660807	154661807	154660907	154661907	154660007	154661007	154660107	154661107
8	154660208	154661208	154660308	154661308	154660408	154661408	154660508	154661508	154660608	154661608	154660708	154661708	154660808	154661808	154660908	154661908	154660008	154661008	154660108	154661108
9	154660209	154661209	154660309	154661309	154660409	154661409	154660509	154661509	154660609	154661609	154660709	154661709	154660809	154661809	154660909	154661909	154660009	154661009	154660109	154661109
10	154660210	154661210	154660310	154661310	154660410	154661410	154660510	154661510	154660610	154661610	154660710	154661710	154660810	154661810	154660910	154661910	154660010	154661010	154660110	154661110
11	154660211	154661211	154660311	154661311	154660411	154661411	154660511	154661511	154660611	154661611	154660711	154661711	154660811	154661811	154660911	154661911	154660011	154661011	154660111	154661111
12	154660212	154661212	154660312	154661312	154660412	154661412	154660512	154661512	154660612	154661612	154660712	154661712	154660812	154661812	154660912	154661912	154660012	154661012	154660112	154661112
13	154660213	154661213	154660313	154661313	154660413	154661413	154660513	154661513	154660613	154661613	154660713	154661713	154660813	154661813	154660913	154661913	154660013	154661013	154660113	154661113
14	154660214	154661214	154660314	154661314	154660414	154661414	154660514	154661514	154660614	154661614	154660714	154661714	154660814	154661814	154660914	154661914	154660014	154661014	154660114	154661114
15	154660215	154661215	154660315	154661315	154660415	154661415	154660515	154661515	154660615	154661615	154660715	154661715	154660815	154661815	154660915	154661915	154660015	154661015	154660115	154661115
16	154660216	154661216	154660316	154661316	154660416	154661416	154660516	154661516	154660616	154661616	154660716	154661716	154660816	154661816	154660916	154661916	154660016	154661016	154660116	154661116
17	154660217	154661217	154660317	154661317	154660417	154661417	154660517	154661517	154660617	154661617	154660717	154661717	154660817	154661817	154660917	154661917	154660017	154661017	154660117	154661117
18	154660218	154661218	154660318	154661318	154660418	154661418	154660518	154661518	154660618	154661618	154660718	154661718	154660818	154661818	154660918	154661918	154660018	154661018	154660118	154661118
19	154660219	154661219	154660319	154661319	154660419	154661419	154660519	154661519	154660619	154661619	154660719	154661719	154660819	154661819	154660919	154661919	154660019	154661019	154660119	154661119
20	154660220	154661220	154660320	154661320	154660420	154661420	154660520	154661520	154660620	154661620	154660720	154661720	154660820	154661820	154660920	154661920	154660020	154661020	154660120	154661120
22	154660222	154661222	154660322	154661322	154660422	154661422	154660522	154661522	154660622	154661622	154660722	154661722	154660822	154661822	154660922	154661922	154660022	154661022	154660122	154661122
24	154660224	154661224	154660324	154661324	154660424	154661424	154660524	154661524	154660624	154661624	154660724	154661724	154660824	154661824	154660924	154661924	154660024	154661024	154660124	154661124
26	154660226	154661226	154660326	154661326	154660426	154661426	154660526	154661526	154660626	154661626	154660726	154661726	154660826	154661826	154660926	154661926	154660026	154661026	154660126	154661126
28	154660228	154661228	154660328	154661328	154660428	154661428	154660528	154661528	154660628	154661628	154660728	154661728	154660828	154661828	154660928	154661928	154660028	154661028	154660128	154661128
30	154660230	154661230	154660330	154661330	154660430	154661430	154660530	154661530	154660630	154661630	154660730	154661730	154660830	154661830	154660930	154661930	154660030	154661030	154660130	154661130
35	154660235	154661235	154660335	154661335	154660435	154661435	154660535	154661535	154660635	154661635	154660735	154661735	154660835	154661835	154660935	154661935	154660035	154661035	154660135	154661135
40	154660240	154661240	154660340	154661340	154660440	154661440	154660540	154661540	154660640	154661640	154660740	154661740	154660840	154661840	154660940	154661940	154660040	154661040	154660140	154661140
45	154660245	154661245	154660345	154661345	154660445	154661445	154660545	154661545	154660645	154661645	154660745	154661745	154660845	154661845	154660945	154661945	154660045	154661045	154660145	154661145
50	154660250	154661250	154660350	154661350	154660450	154661450	154660550	154661550	154660650	154661650	154660750	154661750	154660850	154661850	154660950	154661950	154660050	154661050	154660150	154661150



- NOTES:**
- NO PRINTING ON JUMPER CABLE UNLESS OTHERWISE SPECIFIED. IF PRINTING IS REQUIRED, THEN IT WOULD BE CONSIDERED A SPECIAL JUMPER CABLE.
 - CABLES MATE WITH MOLEX FFC/FPC CONNECTOR SERIES # 505278
 - CONDUCTOR IS 0.1 MM COPPER THICKNESS
 - SURFACE FINISH: 0.4 um Sn



FUNCTIONAL SYMBOLS	THIS DRAWING CONTAINS INFORMATION THAT IS PROPRIETARY TO MOLEX ELECTRONIC TECHNOLOGIES, LLC AND SHOULD NOT BE USED WITHOUT WRITTEN PERMISSION									
FA=0	DIMENSION UNITS		SCALE		CURRENT REV DESC: DRAWING CORRECTION					
FE=0	MM		2:1		molex 0.50MM CENTER FFC TIN PLATED WEARS FFC JUMPER CABLE (105°C, SN PLATED) CHART					
FP=0	GENERAL TOLERANCES (UNLESS SPECIFIED)									
DIVISIONAL SYMBOLS	mm		INCH							
	4 PLACES	±----	±----	±----						
	3 PLACES	±----	±----	±----	EC NO: 728054	DRWN: DIEGOG7	2022/11/10	PRODUCT CUSTOMER DRAWING DOCUMENT NUMBER 154660001 DOC TYPE DOC PART REVISION PSD 000 C		
	2 PLACES	±----	±----	±----	CHK'D: JSMITH11	2022/11/14				
	1 PLACE	±----	±----	±----	APPR: JSMITH11	2022/11/14				
	0 PLACES	±----	±----	±----	INITIAL REVISION:					
	ANGULAR TOL ± 0.5 °		THIRD ANGLE PROJECTION		DRWN: DIEGOG7	2022/05/19	SERIES		MATERIAL NUMBER	
	DRAFT WHERE APPLICABLE MUST REMAIN WITHIN DIMENSIONS		DRAWING		APPR: JSMITH11	2022/06/06	15466		SEE CHART	
			C-SIZE		GENERAL MARKET		SHEET NUMBER		1 OF 1	