

6

5

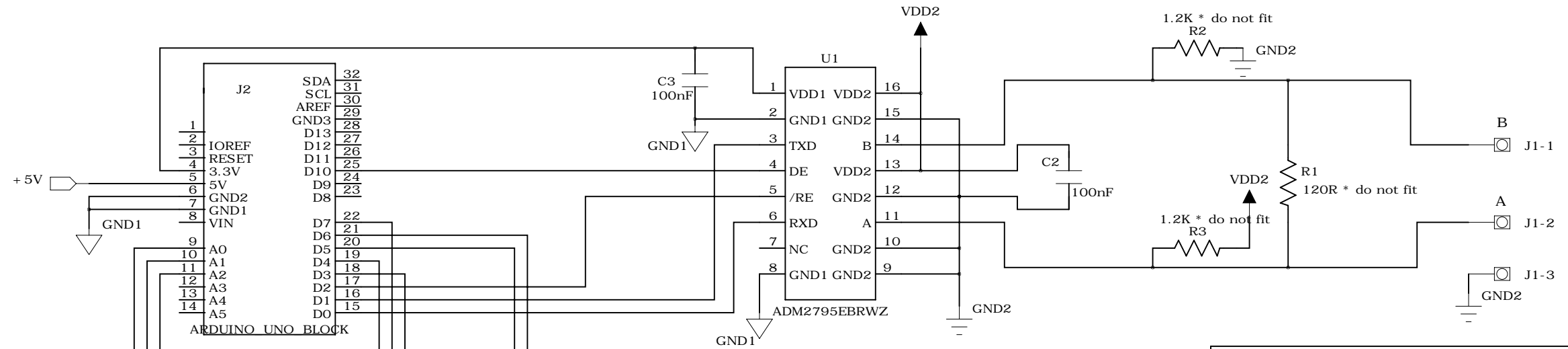
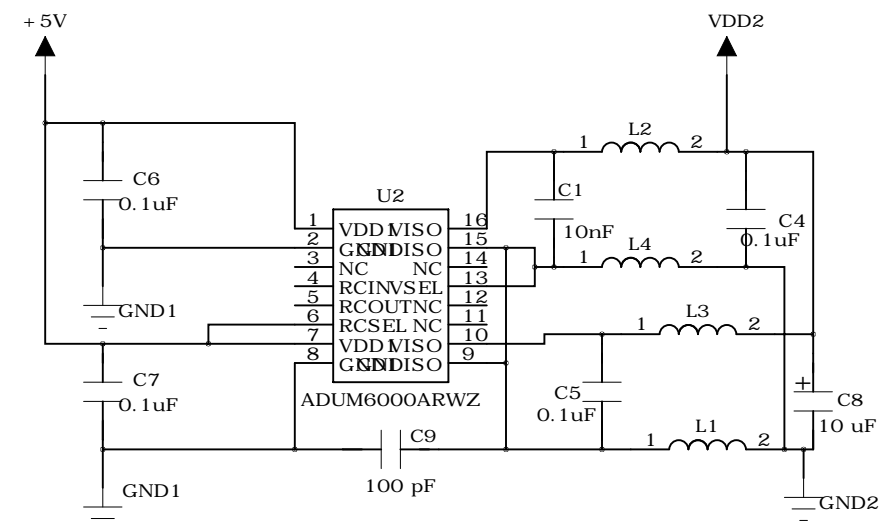
4

3

2

1

REVISION RECORD			
LTR	ECO NO:	APPROVED:	DATE:



COMPANY: **Analog Devices Inc.**

TITLE: **ADM2795E Arduino Demo**

DRAWN: <b>Ricky Kearney</b>	DATED:	CODE:	SIZE:	DRAWING NO:	REV:
CHECKED:	DATED:	SCALE: < Scale >			SHEET: 1 OF 1
QUALITY CONTROL:	DATED:				
RELEASED:	DATED:				

D

D

C

C

B

B

A

A