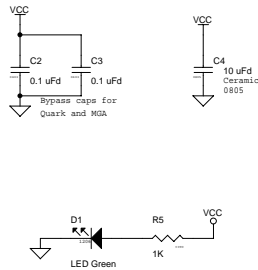
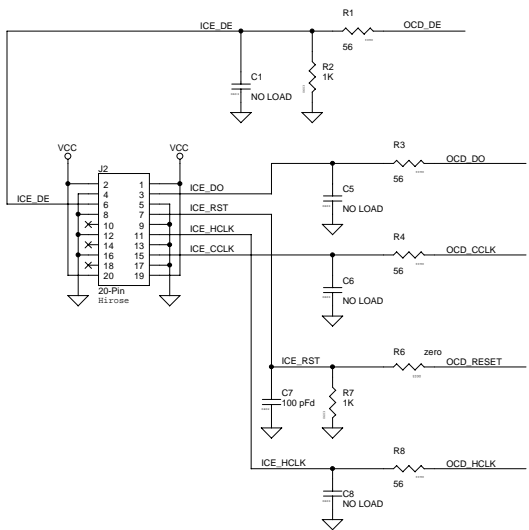
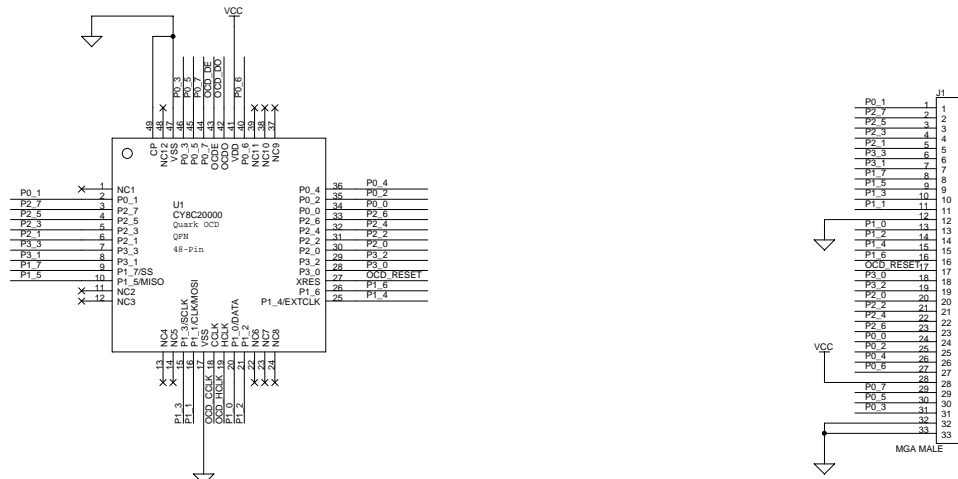


Quark POD Schematic (32 MLF)



PCB: PDC-9305 \*\*  
PCA: 121-30500 \*\*

<b>CYPRESS SEMICONDUCTOR © 2005</b>		
Title	Quark 32 MLF POD	
Size	Document Number	Rev **
C	REF-13439	
Date:	Monday, February 20, 2006	Sheet 1 of 1