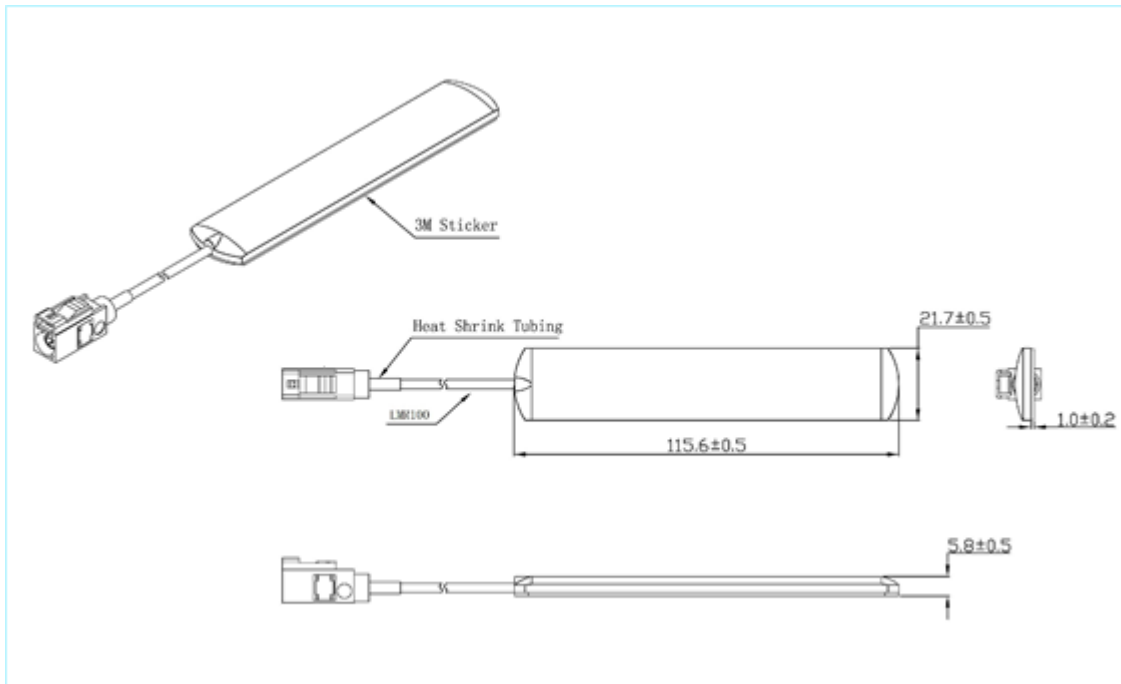


## Maswell 5G NR Antenna Adhesive Patch

AN\_5G\_017NR



### Mechanical dimension



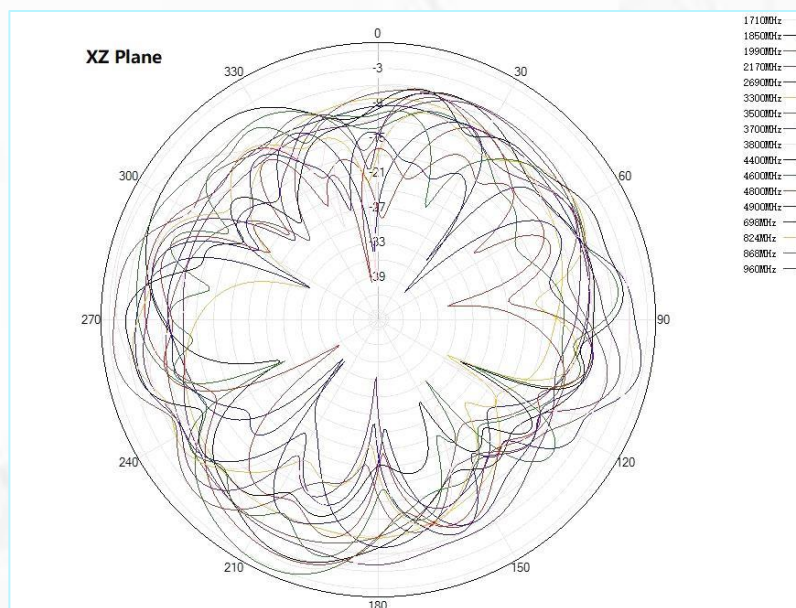
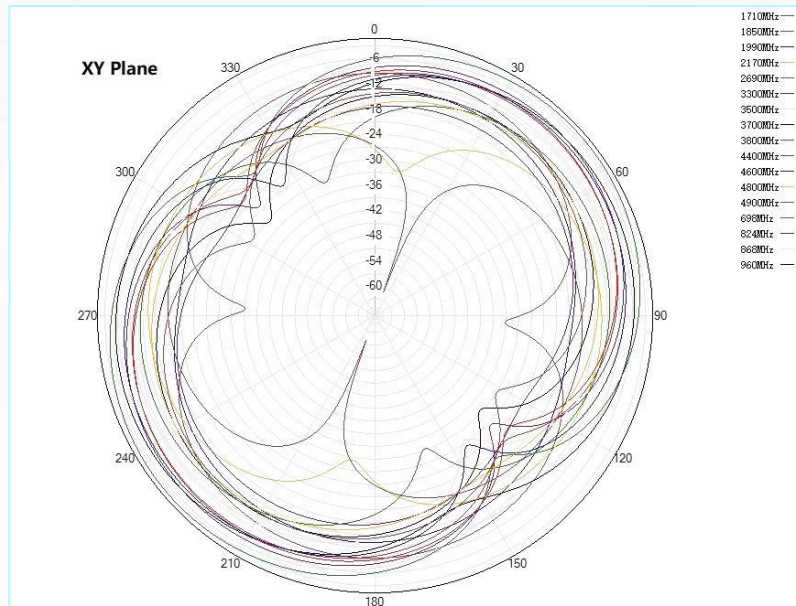
## Maswell 5G NR Antenna Adhesive Patch

### Specifications

Item	Specifications	
Antenna	Frequency Range	617~960/1710~2690/3300~3800/4400~4900MHz
	Polarization	Linear
	Gain	2.0dBi (Zenith)
	V.S.W.R	<2.0
	Impedance	50Ω
	PCB Dimension	104.6*18*1mm
Mechanical	Cable	LMR100 or others
	Connector	FAKRA/SMA or others
	Radome Material	ABS
	Mounting Method	Adhesive
Environmental	Operating Temperature	-40°C~+85°C
	Relative Humidity	Up to 95%
	Vibration	10 to 55Hz with 1.5mm amplitude 2hours
	Environmentally Friendly	ROHS Compliant

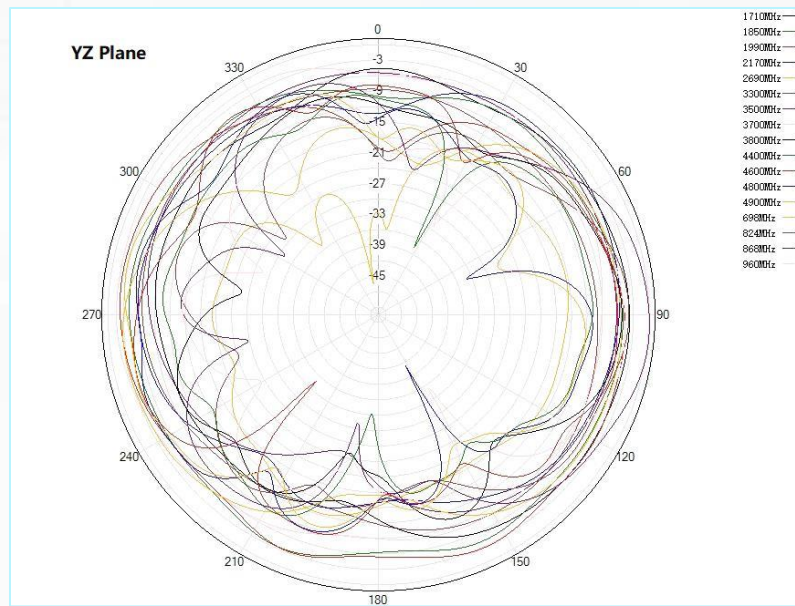
# Maswell 5G NR Antenna Adhesive Patch

## Radiation Patterns



## Maswell 5G NR Antenna Adhesive Patch

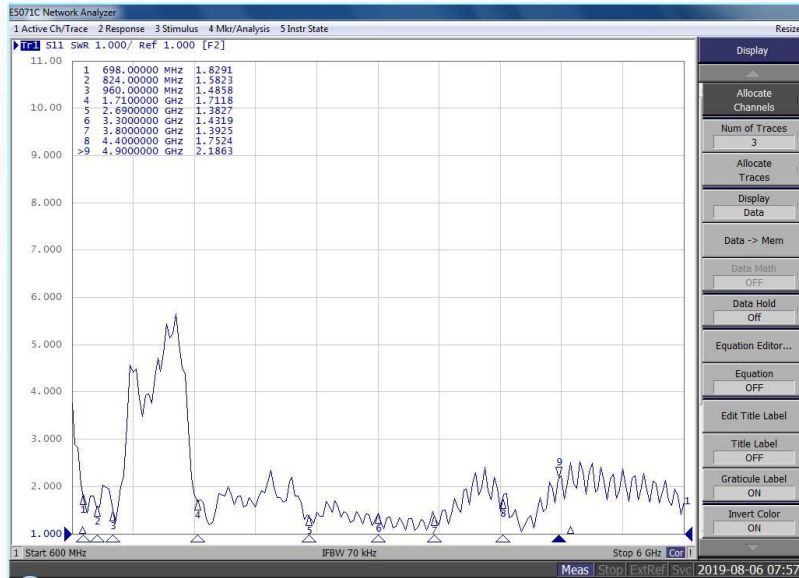
### Radiation Patterns



NEW  
TECHNOLOGY  
PROJECT

# Maswell 5G NR Antenna Adhesive Patch

VSWR



NEW  
TECHNOLOGY  
PROJECT