
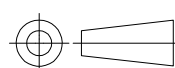


THIS DRAWING IS UNPUBLISHED
 RELEASED FOR PUBLICATION SEP , 1998.
 © COPYRIGHT 2010 By - ALL RIGHTS RESERVED.

LOC	DIST	REVISIONS					
		P	LTR	DESCRIPTION	DATE	DWN	APVD
IR	-		B	CONTACT MATERIAL & PLATING CHANGE	20JUN2014	PS	JK

PACKAGING AND PRODUCT DETAILS:

PIN HEADER PACKED IN TUBE: SEE DRAWING 966269 (CONTACT AREA PdNi+GOLD FLASH)
 PIN HEADER PACKED IN BLISTER: SEE DRAWING 1241050 (CONTACT AREA PdNi+GOLD FLASH)
 PIN HEADER PACKED IN BLISTER: SEE DRAWING 2823051 (CONTACT AREA GOLD PLATING)

THIS DRAWING IS A CONTROLLED DOCUMENT.		DWN A.HO 01.02.93	 TE Connectivity				
DIMENSIONS: mm 		CHK M.SCHAARSCHMIDT 08.07.93					NAME AMPMODU II STIFTLISTE ZWEIREIHIG,SMD-VERSION
TOLERANCES UNLESS OTHERWISE SPECIFIED: 0 PLC ± - 1 PLC ± - 2 PLC ± - 3 PLC ± - 4 PLC ± - ANGLES ± -		APVD -	PRODUCT SPEC -				
MATERIAL -		FINISH -	APPLICATION SPEC -	SIZE A3	CAGE CODE 00779	DRAWING NO C-966709	RESTRICTED TO -
CUSTOMER DRAWING			WEIGHT -	SCALE -	SHEET 1 OF 1	REV B	