



LAYOUT SHOWN AS EXAMPLE

Keying Shown as example

**CHARACTERISTICS**

- Standard : Based on MIL-DTL-38999 Series III
- Shell Material : Stainless Steel
- Shell Plating : Passivated
- Insulator : Thermoplastic
- Contacts : Copper Alloy
- Seals & Grommet : Silicon Elastomer
- Contact Plating : Gold over copper Alloy 0.8µm minimum
- Durability : 500 Mating cycles
- Delivered with Souriau contacts and Accessories
- Temperature Range : -65°C to +200°C
- Salt Spray : 500 hours

| Connector dimension |                |
|---------------------|----------------|
| Dim                 | Nominal        |
| A                   | 52.4±0.3       |
| B                   | 36.5+0.1/-0.15 |
| R                   | 32.5Max        |
| S                   | 49.2±0.4       |
| W                   | 3+0.9/-0.1     |
| VV THREAD           | M31x1-6g       |

SOURIAU shall not be liable for any non-conformity or damage due to a use of the Products which does not comply with the Specifications issued by either of the Parties or by a third party (professional recommendation, technical notice.)

|         |                             |
|---------|-----------------------------|
| Country | Jurisdiction & Control List |
| FR      | Not Listed                  |

**PN: 8D721K75AA**

|              |   |                                |   |
|--------------|---|--------------------------------|---|
| A            | 08-11-2016  | First Release                  |   |
| ISS          | DATE  | Latest modification - by       | MOD N°  |
| Designed By: |   | Date:                          | <b>CUSTOMER DRAWING</b>   |
| <b>TITLE</b> | <b>Stainless Steel Receptacle 8D series</b>                         |                                |   |
| SCALE        |   | General linear Tolerances: ±-- | NPRDS / PROJECT<br><b>859</b>   |
| NA           | <b>SOURIAU</b> <a href="http://WWW.SOURIAU.COM">WWW.SOURIAU.COM</a> |                                | This document is the property of SOURIAU it must not be reproduced or communicated without permission |
| FORMAT       | <b>A3</b>   |                                | <b>SOURIAU DRG N° 8D721K75AA-C</b> SHEET 1/2  |

|                |                        |   |   |    |   |    |   |   |                                 |
|----------------|------------------------|---|---|----|---|----|---|---|---------------------------------|
| BASIC SERIES:  | 8D                     | 7 | - | 21 | K | 75 | A | A | ORIENTATION : A                 |
| SHELL TYPE :   | Jam nut Receptacle     |   |   |    |   |    |   |   | CONTACT TYPE : PIN(500 Matings) |
| CONTACT TYPE : | Standard Crimp Contact |   |   |    |   |    |   |   | CONTACT LAYOUT : 21-75          |
| SHELL SIZE :   | 21                     |   |   |    |   |    |   |   |                                 |
| PLATING :      | K = Passivated         |   |   |    |   |    |   |   |                                 |

Contact Layout



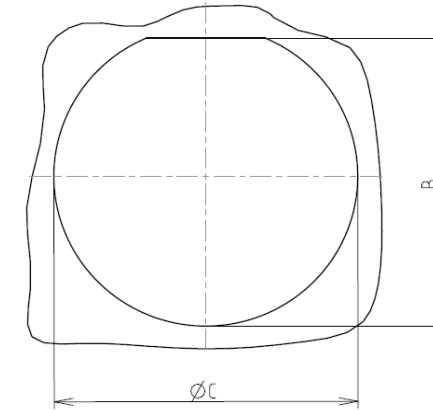
(Inactive for new design for MIL-DTL-38999. For new design, use arrangement no. 21-76.)

| Contacts<br>(Insert arrangement 21-75) |             |             |
|--|-------------|-------------|
| Contact position ID                    | Location    |             |
|  | X axis      | Y axis      |
| A                                      | +180 (4.57) | +180 (4.57) |
| B                                      | +180 (4.57) | -180 (4.57) |
| C                                      | -180 (4.57) | -180 (4.57) |
| D                                      | -180 (4.57) | +180 (4.57) |

| Shell size | Arrangement no. | Number of contacts | Size contacts   | Service rating | Contact location | Standard contact |               |
|------------|-----------------|--------------------|-----------------|----------------|------------------|------------------|---------------|
|            |                 |                    |                 |                |                  | Pin              | Socket        |
| 21         | -75             | 4                  | 8<br>(see note) | Twinax         | All              | M39029/90-529    | M39029/91-530 |

Panel cutout

JAM NUT RECEPTACLE (TYPE 7)



Max. thickness panel for receptacle: Type 7: 3.2 mm

| Dim | Nominal       |
|-----|---------------|
| B   | 37.08+0/-0.25 |
| ØC  | 38.35+0.25/-0 |

SOURIAU shall not be liable for any non-conformity or damage due to a use of the Products which does not comply with the Specifications issued by either of the Parties or by a third party (professional recommendation, technical notice.)

| Country | Jurisdiction & Control List |
|---------|-----------------------------|
| FR      | Not Listed                  |

PN: 8D721K75AA

|                |   |                            |   |
|----------------|---|----------------------------|---|
| A              | 08-11-2016                                  | First Release              |   |
| ISS            | DATE  | Latest modification - by   | MOD N°  |
| Designed By:   |   | Date:                      | <b>CUSTOMER DRAWING</b>   |
| <b>TITLE</b>   | <b>Stainless Steel Receptacle 8D series</b> |                            |   |
| SCALE          |   | General linear Tolerances: | NPRDS / PROJECT   |
| NA             |   | ±--                        | <b>859</b>  |
| <b>SOURIAU</b> | <b>WWW.SOURIAU.COM</b>                      |                            | This document is the property of SOURIAU it must not be reproduced or communicated without permission |
| FORMAT         | <b>SOURIAU DRG N° 8D721K75AA-C</b>          |                            | SHEET 2/2   |