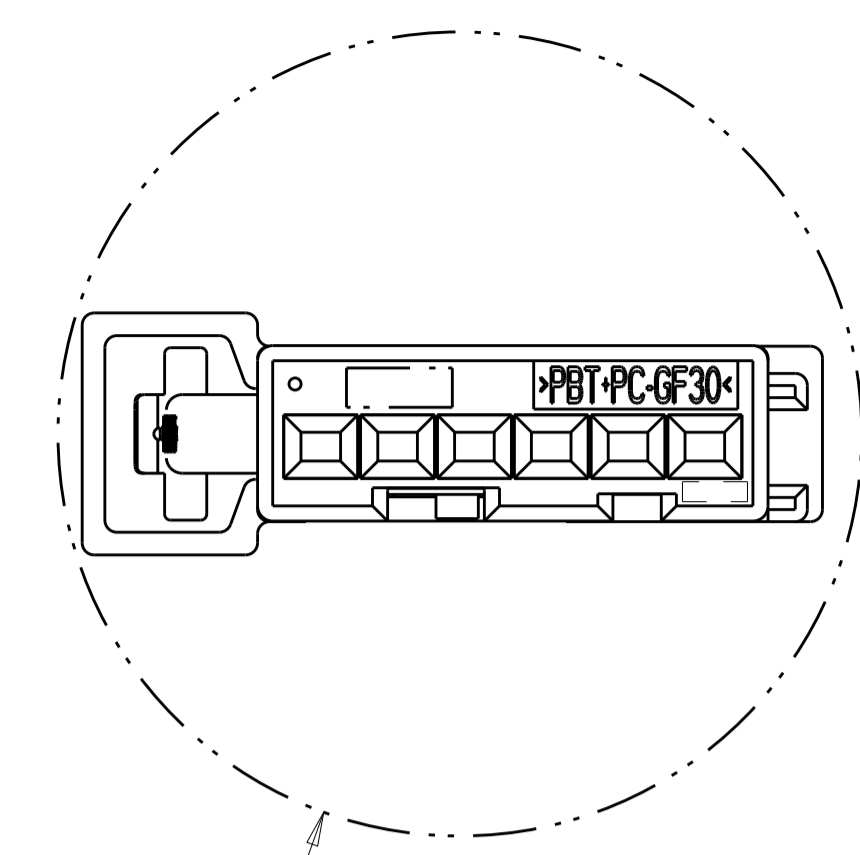
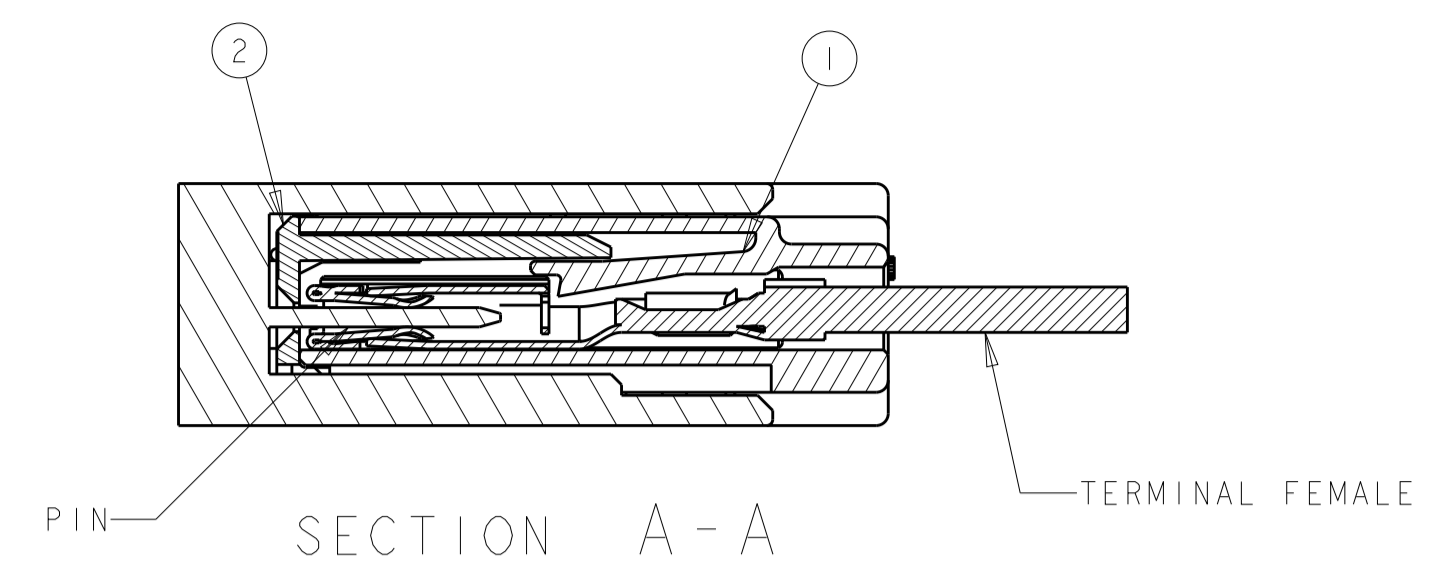
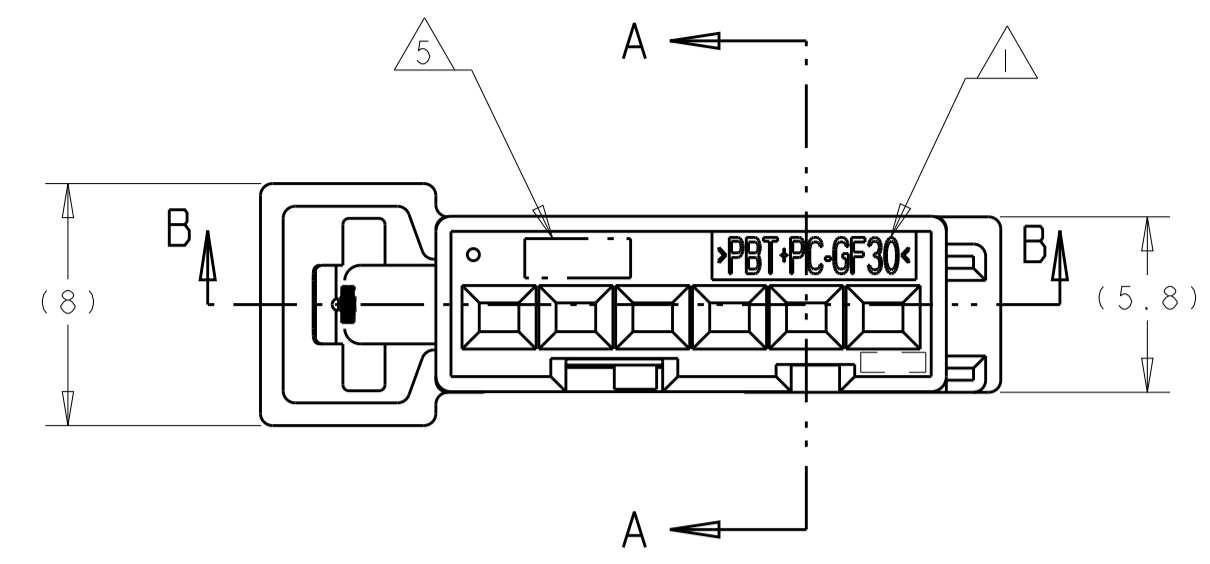
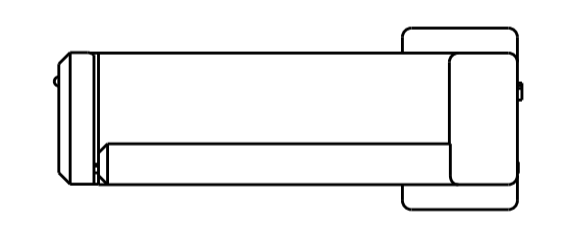
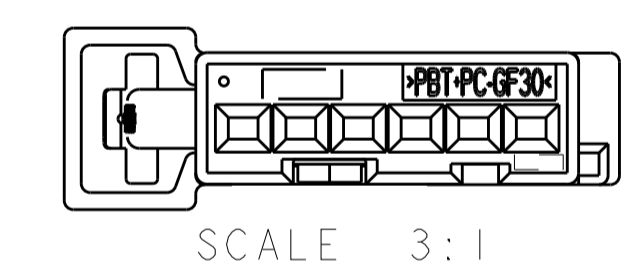
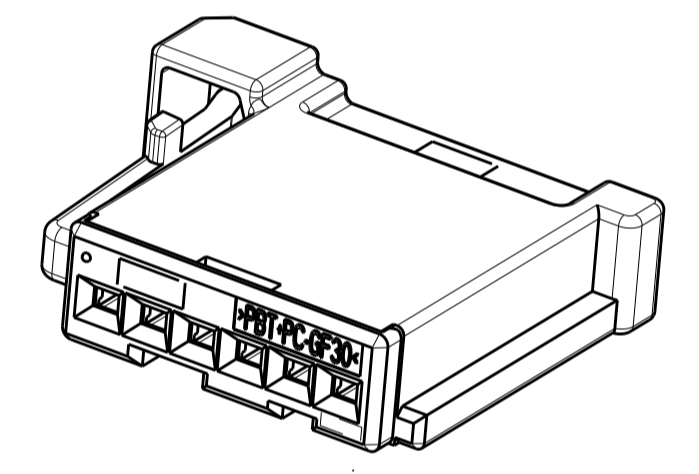
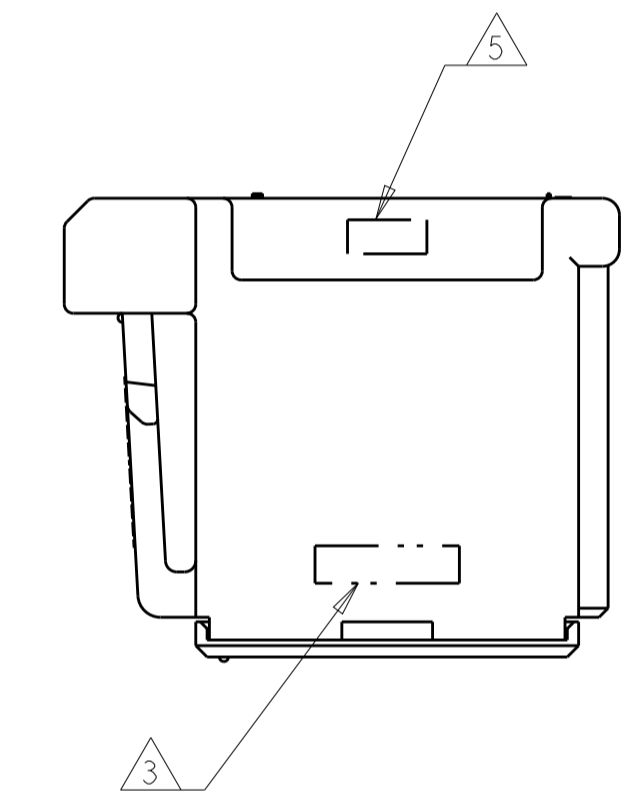
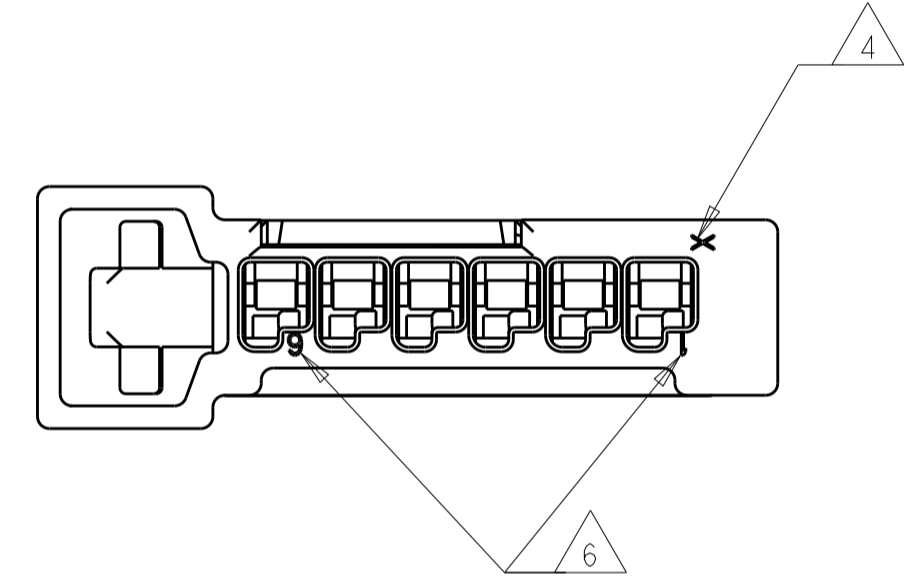
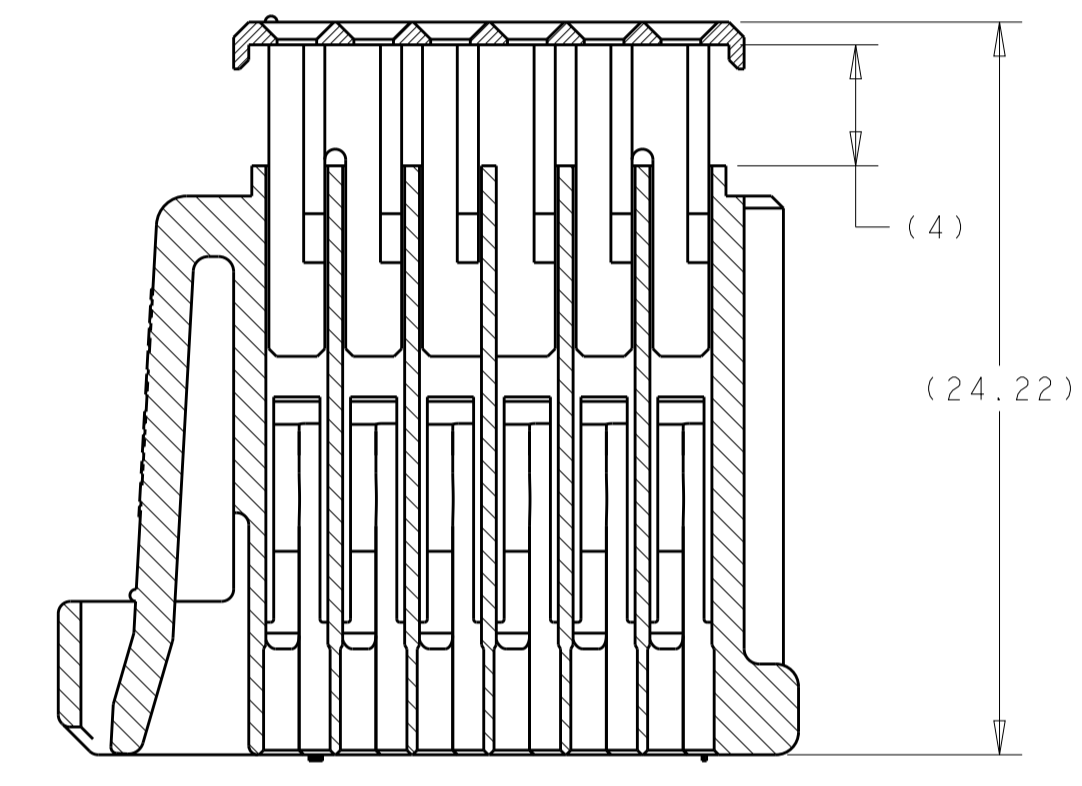
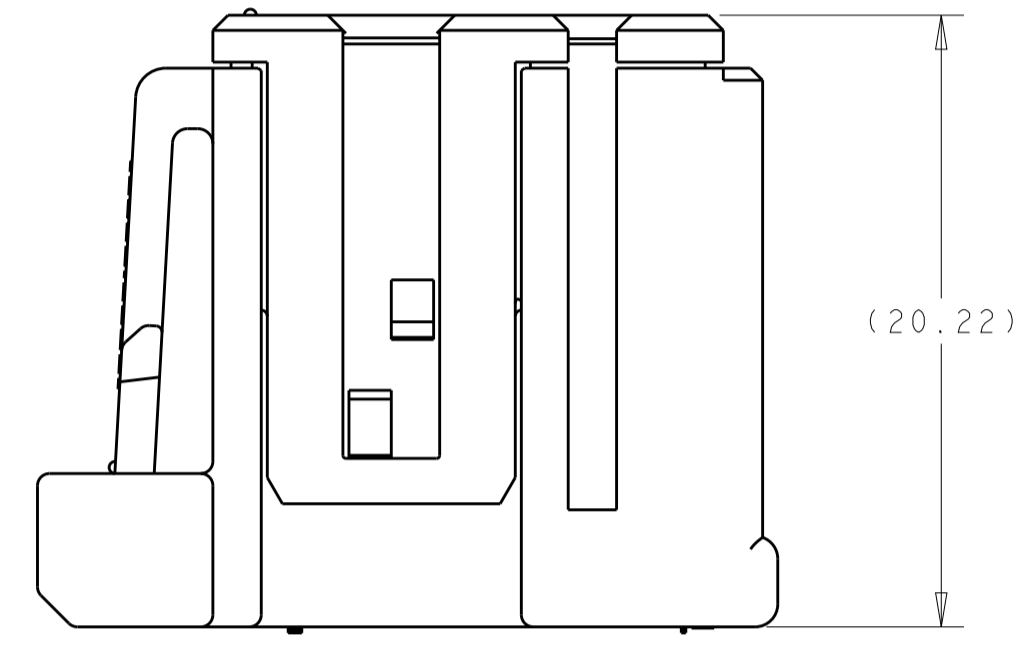
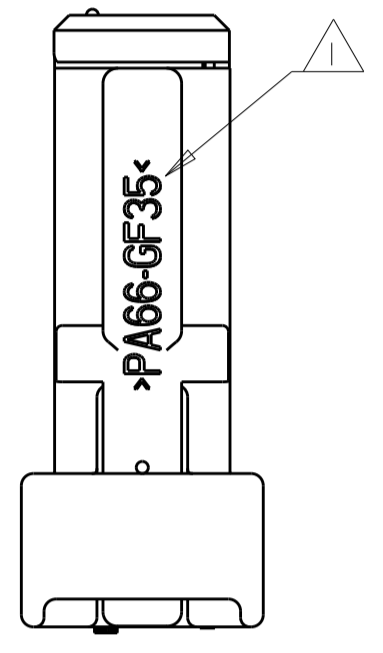


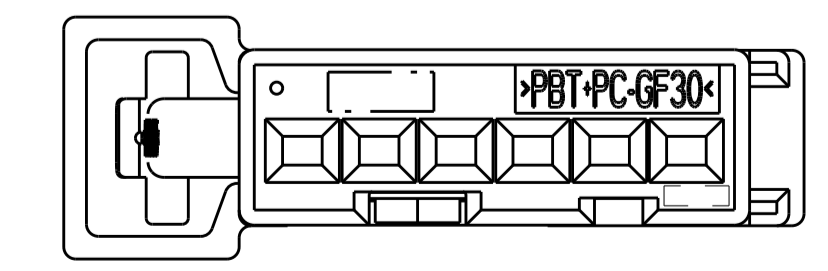
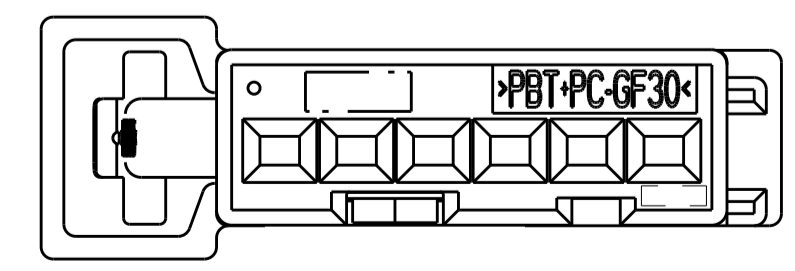
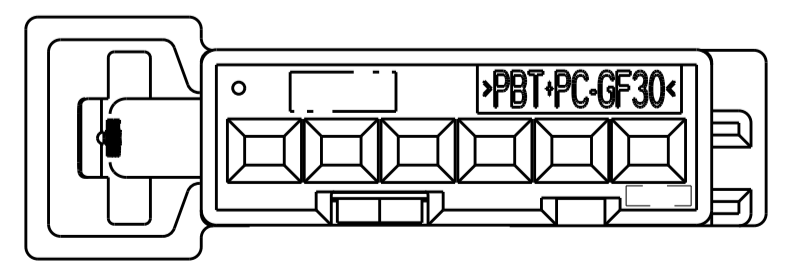
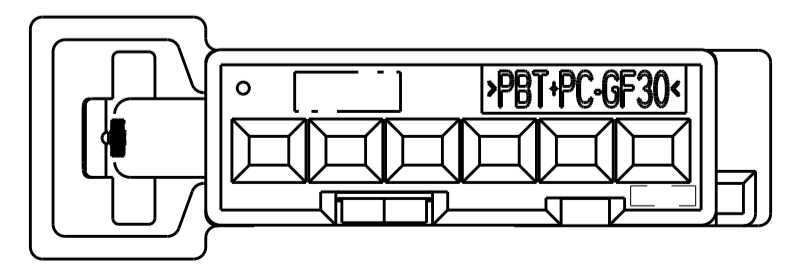
REVISIONS				
P.	LTN	DESCRIPTION	DATE	DWN APVD
A		RELEASED PER ECO-14-010938	18JUL2014	DD RL
A1		REVISED PER ECO-16-013871	21SEP2016	DD RL



- △ MATERIAL IDENTIFICATION SYMBOLS.
- 2. 0.2 mm MAXIMUM RADIUS PERMISSIBLE ON EDGES AND FILLETS SHOWN AS SHARP FOR PLASTIC PARTS.
- △ 3. PRODUCTION DATE CODE (YY-DDD-HH) AND ASSEMBLY PART NUMBER APPLIED IN APPROXIMATE LOCATION.
- △ 4. TOOL CAVITY NUMBER
- △ 5. COMPANY LOGO
- △ 6. TERMINAL CAVITY IDENTIFICATION NUMBER.
- 7. FOLLOW TE# 408-32134 FOR PROPER SPACER ENGAGEMENT.



KEYING OPTIONS



2272431-1

2272431-2

2272431-3

2272431-4

KEYING OPTION "A"

KEYING OPTION "B"

KEYING OPTION "C"

KEYING OPTION "D"

QTY REQ'D PER ASSY	DESCRIPTION	MATERIAL	COLOR	ITEM
1	SPACER	>PBT+PC-GF30<	RED	2
1	HOUSING, KEY D	>PA66-GF35<	BLACK	1
1	HOUSING, KEY C	>PA66-GF35<	BLACK	1
1	HOUSING, KEY B	>PA66-GF35<	BLACK	1
1	HOUSING, KEY A	>PA66-GF35<	BLACK	1

THIS DRAWING IS A CONTROLLED DOCUMENT. DWN: D. DRUMMOND 02APR2014  
 CHK: R. LACUESTA 02APR2014  
 APVD: R. LACUESTA 02APR2014

**STE** TE Connectivity

NAME: PLUG ASSEMBLY, 1X6 UNSEALED, SIDE LATCH

SIZE: A1 CAGE CODE: 2272431 DRAWING NO: 2272431-1 SHEET 1 OF 1 REV A1

CUSTOMER DRAWING SCALE: 4:1