

# Bus system flat-type plug - SACC-DSIV-FSD-4CON-L90 SCO - 1436550

Please be informed that the data shown in this PDF Document is generated from our Online Catalog. Please find the complete data in the user's documentation. Our General Terms of Use for Downloads are valid (<http://phoenixcontact.com/download>)



Bus system flush-type connector, socket, Ethernet, 4-pos., M12 SPEEDCON, shielded, D-coded, rear/screw mounting with M12 thread, with polarity protection, with angled solder connection



## Key Commercial Data

Packing unit	10 pc
GTIN	
GTIN	4046356438612

## Technical data

### Ambient conditions

Ambient temperature (operation)	-25 °C ... 85 °C (Plug / socket)
	-40 °C ... 85 °C (without mechanical actuation)
Degree of protection	IP67

### General

Note	This product corresponds to the PROFIBUS Cabling and Interconnection Technology Guideline for PROFIBUS regulations, version 2.00, order no: 2.252, Chapter 8.2 Connectors for Outside Environment (Balanced cabling)
Rated current at 40°C	4 A
Rated voltage	250 V
Number of positions	4
Insulation resistance	≥ 100 MΩ
Coding	D - data
Status display	No
Overvoltage category	II
Degree of pollution	3
Connection method	Solder pins
Mounting type	Rear mounting M12 x 1 With flat nut

# Bus system flat-type plug - SACC-DSIV-FSD-4CON-L90 SCO - 1436550

## Technical data

### Material

Flammability rating according to UL 94	V0
Contact material	CuZn
Contact surface material	Au
Contact carrier material	PA 6.6
Material, knurls	Zinc die-cast, nickel-plated
Sealing material	NBR

### Standards and Regulations

Flammability rating according to UL 94	V0
--	----

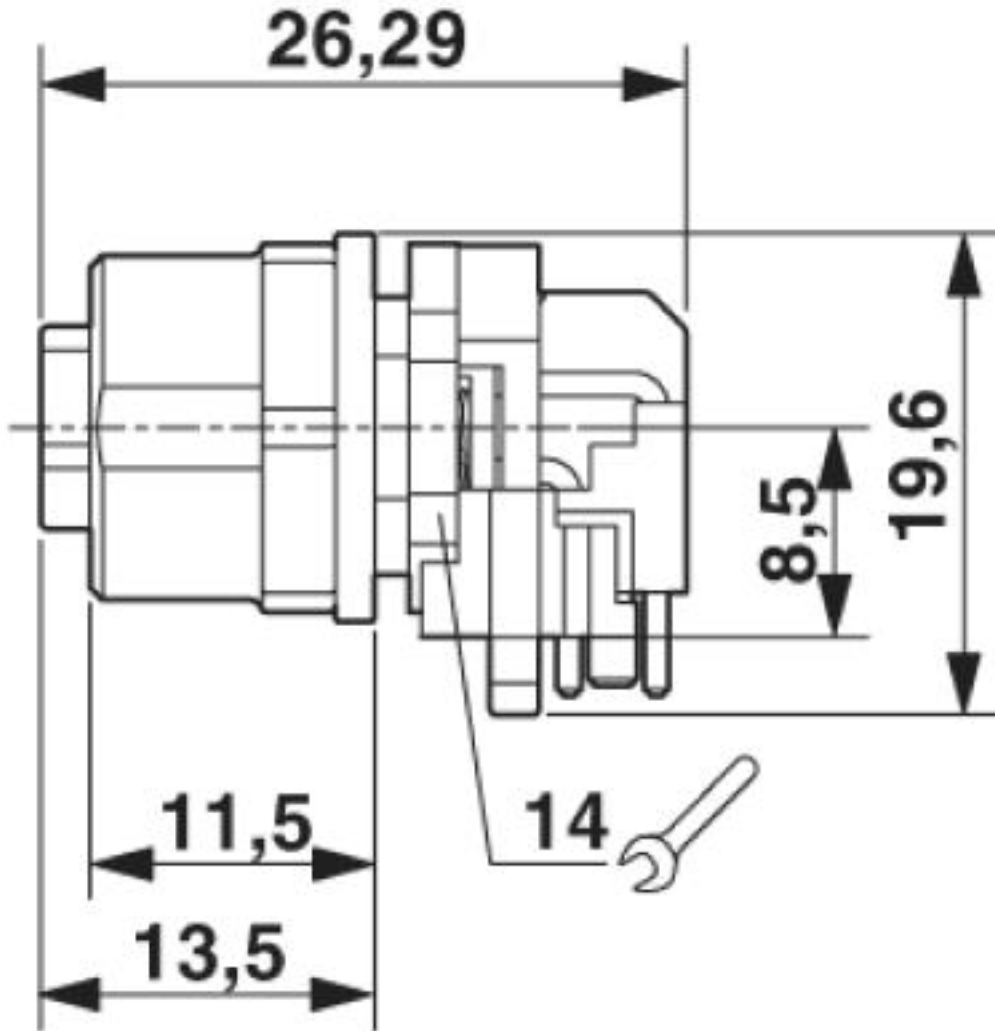
### Environmental Product Compliance

	Lead 7439-92-1
China RoHS	Environmentally Friendly Use Period = 50
	For details about hazardous substances go to tab "Downloads", Category "Manufacturer's declaration"

## Drawings

# Bus system flat-type plug - SACC-DSIV-FSD-4CON-L90 SCO - 1436550

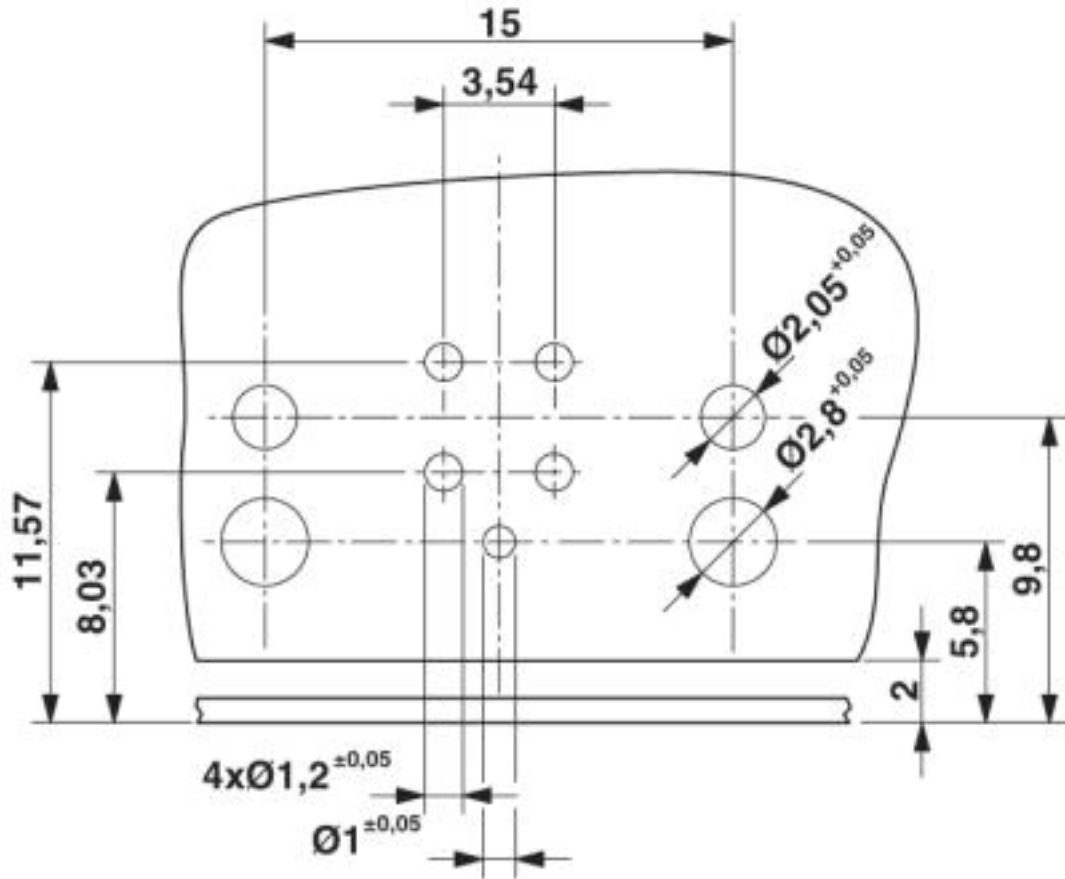
Dimensional drawing



M12 flush-type connector, socket, side view

# Bus system flat-type plug - SACC-DSIV-FSD-4CON-L90 SCO - 1436550

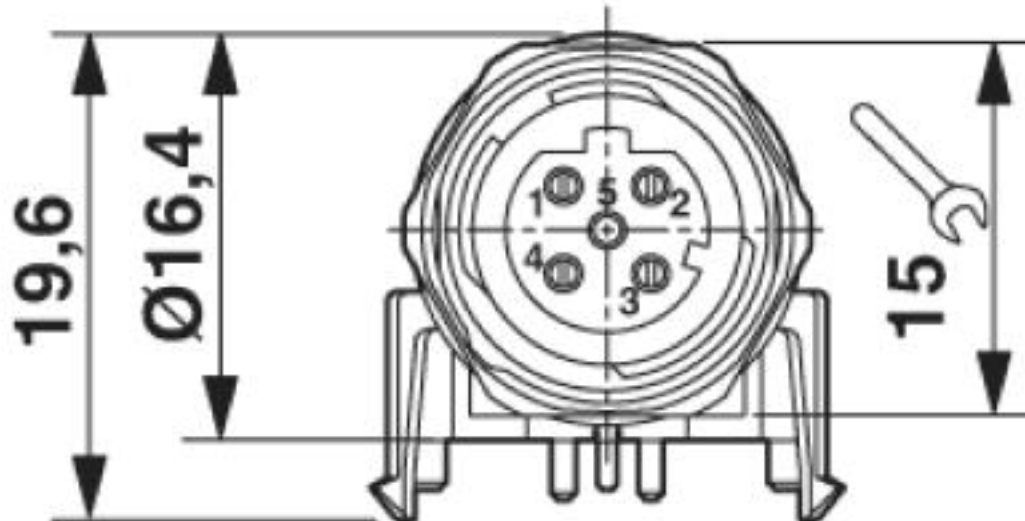
Drilling diagram



Drilling diagram

## Bus system flat-type plug - SACC-DSIV-FSD-4CON-L90 SCO - 1436550

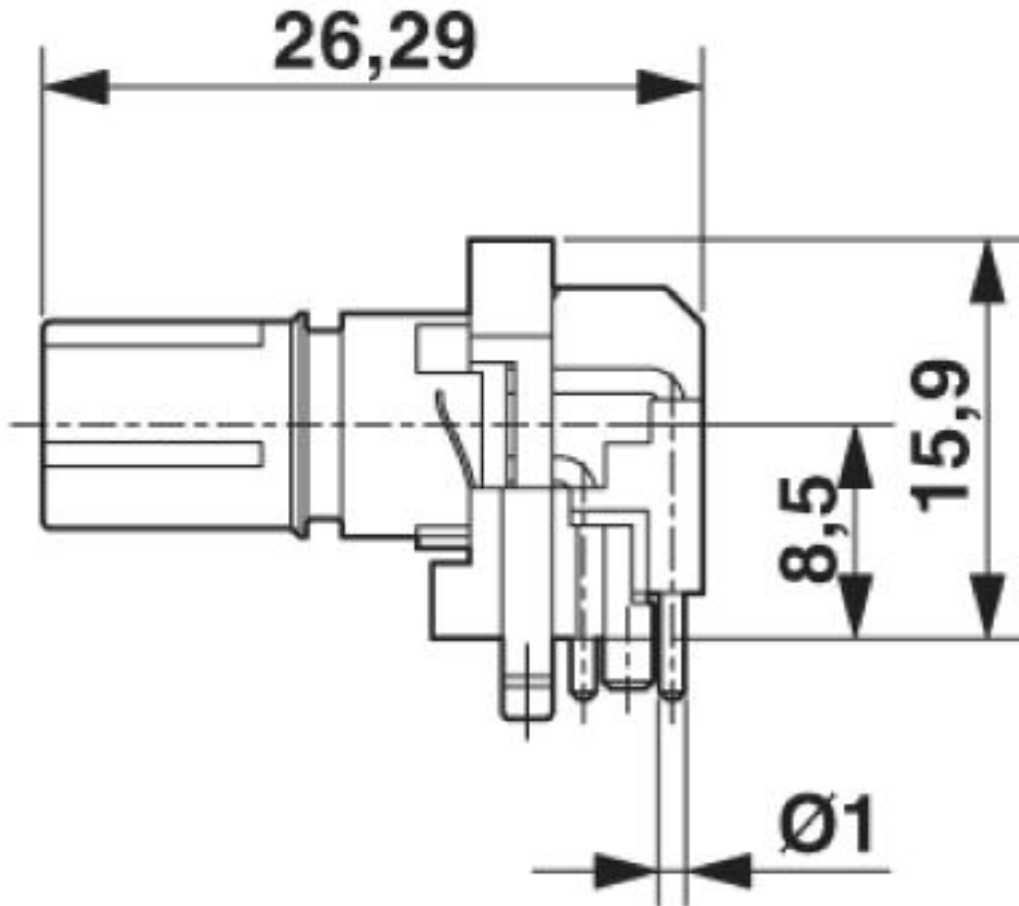
Dimensional drawing



M12 flush-type connector, socket, front view

# Bus system flat-type plug - SACC-DSIV-FSD-4CON-L90 SCO - 1436550

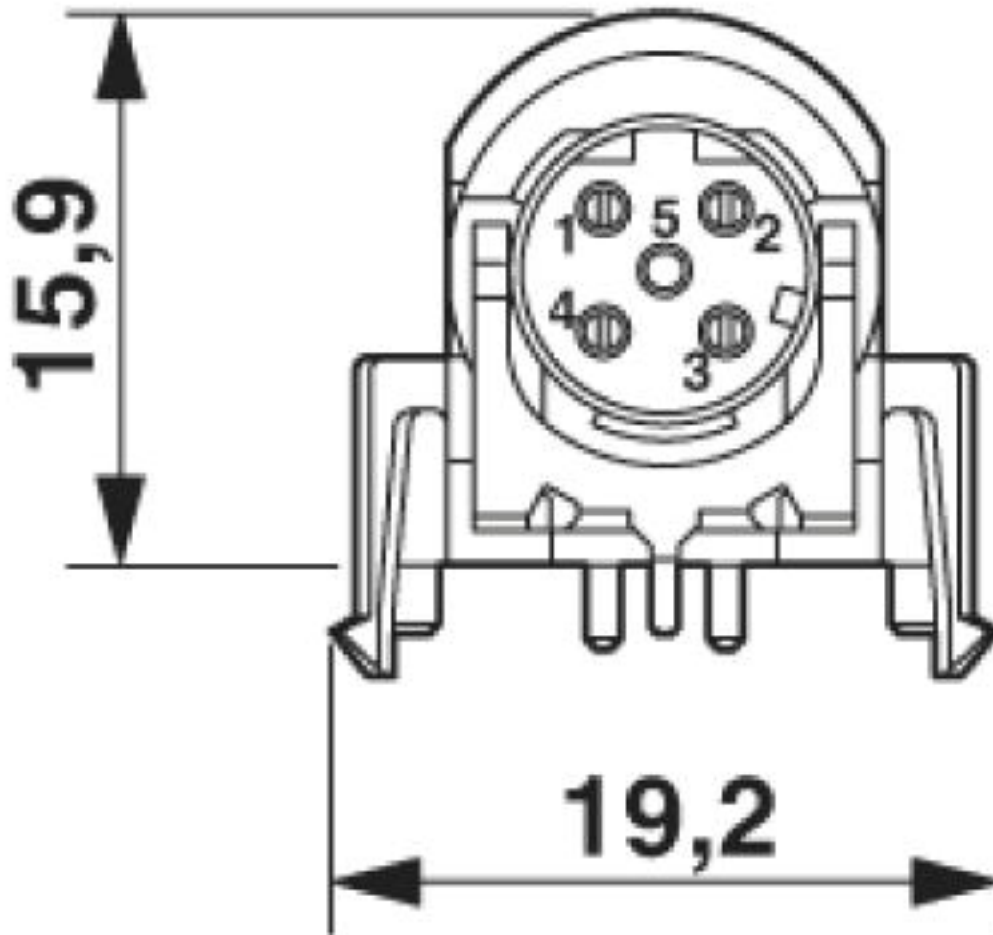
Dimensional drawing



M12 flush-type connector, socket, contact carrier, side view

# Bus system flat-type plug - SACC-DSIV-FSD-4CON-L90 SCO - 1436550

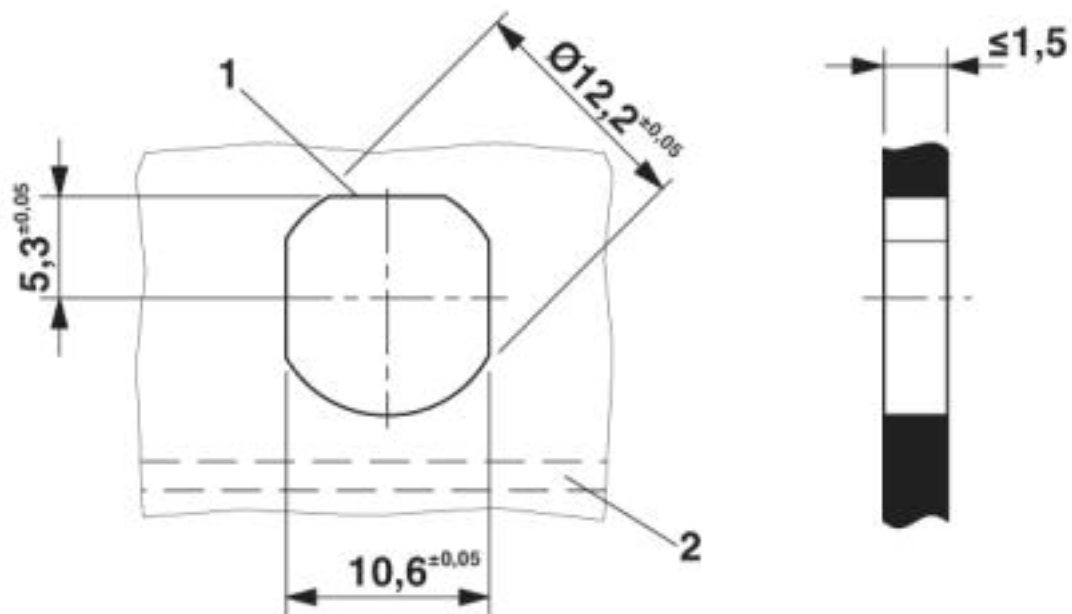
Dimensional drawing



M12 flush-type connector, socket, contact carrier, front view

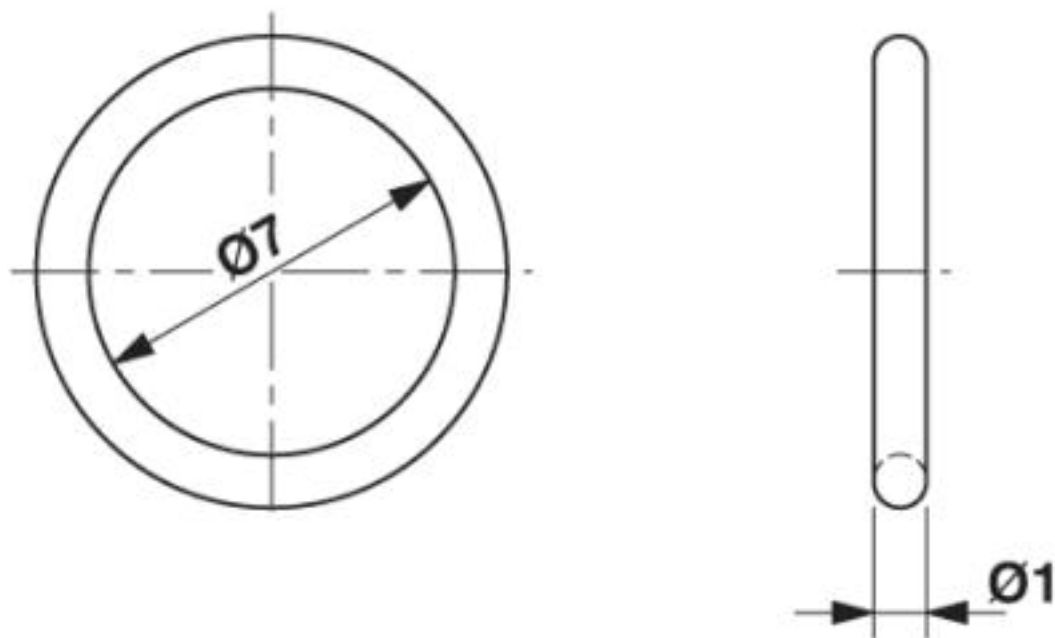
# Bus system flat-type plug - SACC-DSIV-FSD-4CON-L90 SCO - 1436550

Dimensional drawing



Housing cutout for M12 fastening thread, mounting panel with feed-through hole (alternative with surface as protection against rotation)

Dimensional drawing

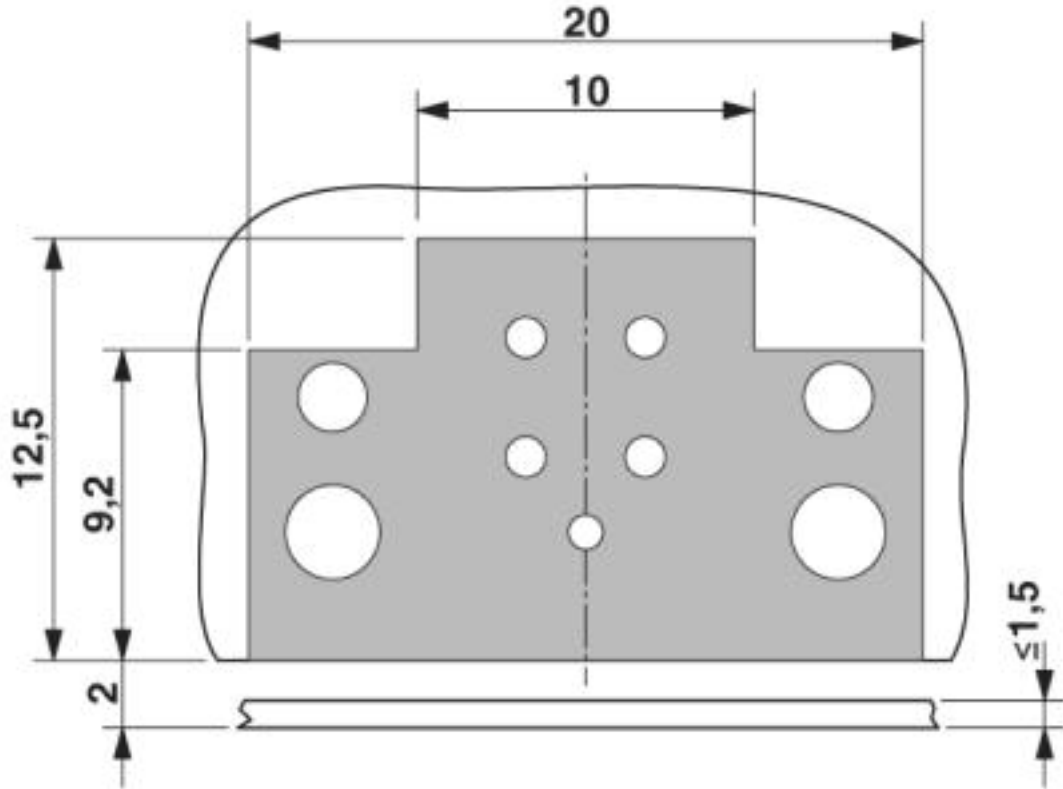


Optionally with O-ring (green) for tight seal when plugged in.  
- the axial mating force of 80 N per connector may not be exceeded when using with assembled O-ring!  
- Avoid radial forces!



# Bus system flat-type plug - SACC-DSIV-FSD-4CON-L90 SCO - 1436550

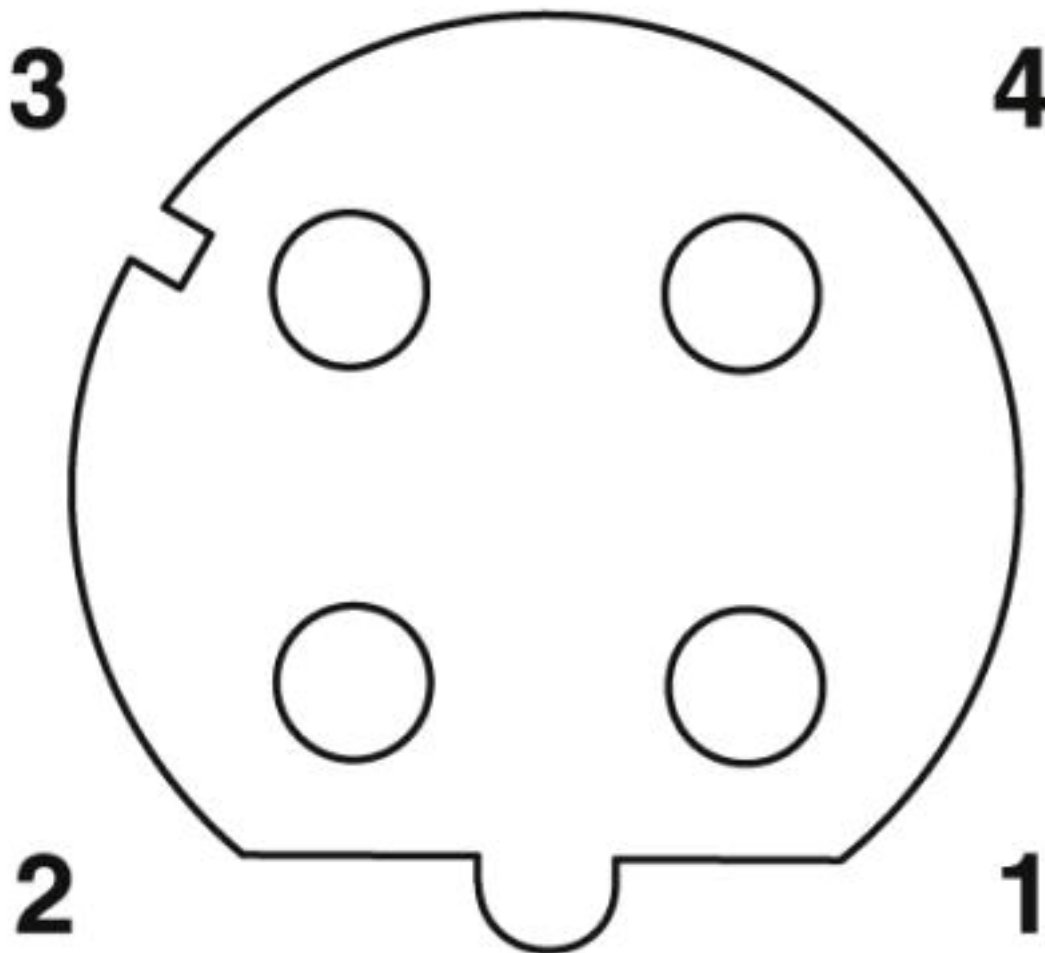
Dimensional drawing



Locked area on the PCB

# Bus system flat-type plug - SACC-DSIV-FSD-4CON-L90 SCO - 1436550

Schematic diagram



Pin assignment M12 socket, 4-pos., D-coded, female side

## Approvals

Approvals

---

Approvals

UL Recognized / EAC

---


Ex Approvals


---

## Approval details

# Bus system flat-type plug - SACC-DSIV-FSD-4CON-L90 SCO - 1436550

## Approvals

UL Recognized		<a href="http://database.ul.com/cgi-bin/XYV/template/LISEXT/1FRAME/index.htm">http://database.ul.com/cgi-bin/XYV/template/LISEXT/1FRAME/index.htm</a>	FILE E 118976
Nominal voltage UN		250 V	
Nominal current IN		4 A	
mm <sup>2</sup> /AWG/kcmil		22	

EAC		B.01742
-----	---	---------

Phoenix Contact 2019 © - all rights reserved  
<http://www.phoenixcontact.com>

PHOENIX CONTACT GmbH & Co. KG  
Flachsmarktstr. 8  
32825 Blomberg  
Germany  
Tel. +49 5235 300  
Fax +49 5235 3 41200  
<http://www.phoenixcontact.com>