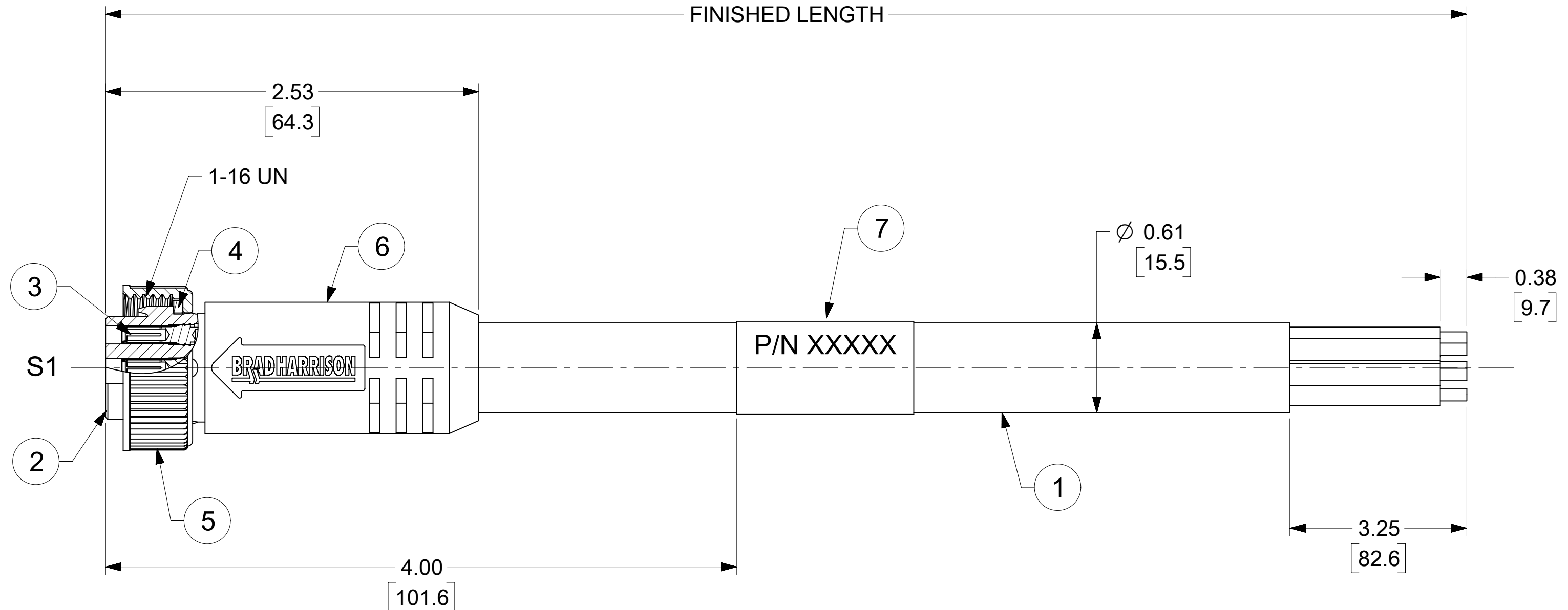
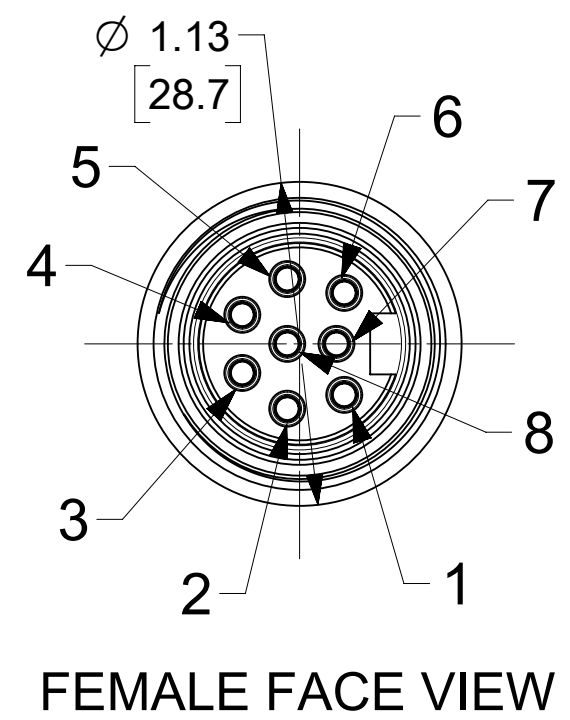
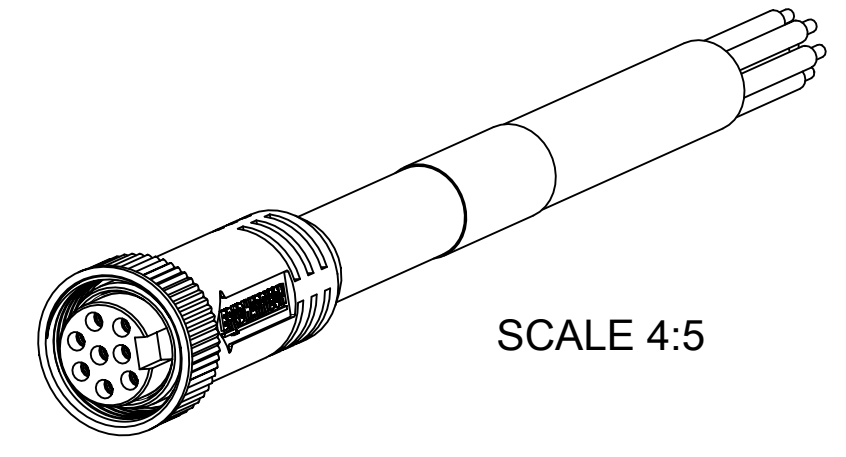


| MATERIAL NO. | ENGINEERING NO. | FINISHED LENGTH |
|--------------|-----------------|-----------------|
| 1300070139 | 208000A01F030 | 3 FT (0.91 M) |
| 1300070142 | 208000A01F060 | 6 FT (1.82 M) |
| 1300070145 | 208000A01F120 | 12 FT (3.65 M) |
| 1300070149 | 208000A01F200 | 20 FT (6.09 M) |

CABLE LENGTH TOLERANCES
 <.3M [1FT]: +19mm-0 [+.75in-0]
 .3 - .9M [1 - 3FT]: +44.5mm-0 [+1.75in-0]
 .9 - 1.8M [3 - 6FT]: +55.6mm-0 [+2.19in-0]
 1.8 - 3.7M [6 - 12FT]: +88.9mm-0 [+3.50in-0]
 3.7 - 7.3M [12 - 24FT]: +165.1mm-0 [+6.50in-0]
 7.3-14.6M [24 - 48FT]: +317.5mm-0 [+12.50in-0]
 14.6 - 30.5M [48-100FT]: +622.3mm-0 [+24.50in-0]
 OVER 30M [100FT] +2% OF FINISHED LENGTH



- NOTES:**
- MATERIAL: AS NOTED
 - FINISH: AS NOTED
 - ELECTRICAL:
 VOLTAGE: 320V PER IEC60664 (B)
 600V PER UL2238
 CURRENT: 7A
 - TEMP RATING: -20°C TO +105°C (B)
 - PROTECTION: IP67 (WHEN MATED)
 - CSA CERTIFIED FILE: LR6837 (B)
 - UL RECOGNIZED FILE: E152210
 - ALL DIMS ARE FOR REFERENCE UNLESS TOLERANCED OR NOTED OTHERWISE

WIRING DIAGRAM

| S1 | |
|----|--------------|
| 1 | ORANGE |
| 2 | BLUE |
| 3 | WHITE/BLACK |
| 4 | BLACK |
| 5 | WHITE |
| 6 | RED |
| 7 | GREEN/YELLOW |
| 8 | RED/BLACK |

PART NUMBER LEGEND (B)

208000A01F030

FINISHED LENGTH
 F001= .1 FT
 F020= 2 FT
 F200= 20 FT

| ITEM | DESCRIPTION | MATERIAL | FINISH |
|------|-----------------------|---------------|----------------------|
| 7 | WRAP LABEL | VINYL | BLACK/YELLOW (B) |
| 6 | OVERMOLD | TPE | YELLOW (B) |
| 5 | COUPLING NUT | ZINC DIE CAST | BLACK E-COAT |
| 4 | FRICTION RING | NYLON | NATURAL |
| 3 | SOCKET CONTACT | Cu ALLOY | GOLD OVER NICKEL (B) |
| 2 | FEMALE INSERT | TPE | YELLOW |
| 1 | CABLE, 16-8, STOOV/ST | PVC JACKET | YELLOW |
| | ITEM | DESCRIPTION | MATERIAL |
| | | | FINISH |

| | | | | | | | | | | | | | | | | | | | |
|--|--|--|----------------------------------|--|------------|---------------------------|--|--|-------------------------|---|--|--------------------------------------|--|--|--|--|--|--|--|
| FUNCTIONAL SYMBOLS | | | | | | | | | | THIS DRAWING CONTAINS INFORMATION THAT IS PROPRIETARY TO MOLEX ELECTRONIC TECHNOLOGIES, LLC AND SHOULD NOT BE USED WITHOUT WRITTEN PERMISSION | | | | | | | | | |
| DIMENSION UNITS | | | | | SCALE | | | | | CURRENT REV DESC: UPDATED ITEM 2, 6 & 7 WERE PVC, ADDED CSA, UL, IEC VOLT, TEMP, IP RATING, TOL. CHART & PART NO. LEGEND. MODIFIED PN CHART. | | | | | | | | | |
| INCH/MM | | | | | 1:1 | | | | | EC NO: 718076 | | | | | | | | | |
| GENERAL TOLERANCES (UNLESS SPECIFIED) | | | | | | | | | | DRWN: VHANDI 2021/06/06 | | | | | | | | | |
| 4 PLACES ± | | | | | MM | | | | | CHK'D: RSTONE 2022/08/18 | | | | | | | | | |
| 3 PLACES ± | | | | | INCH | | | | | APPR: BWOODMAN 2022/08/22 | | | | | | | | | |
| DIVISIONAL SYMBOLS | | | | | | | | | | INITIAL REVISION: | | | | | | | | | |
| 2 PLACES ± | | | | | 1 PLACE ± | | | | | DRWN: BRUPERT 2009/06/02 | | | | | | | | | |
| 1 PLACE ± | | | | | 0 PLACES ± | | | | | APPR: JFMURPHY 2009/06/10 | | | | | | | | | |
| ANGULAR TOL ± ° | | | | | | | | | | THIRD ANGLE PROJECTION | | | | | | | | | |
| DRAFT WHERE APPLICABLE MUST REMAIN WITHIN DIMENSIONS | | | | | | | | | | DRAWING C-SIZE | | | | | | | | | |
| | | | | | | | | | | SERIES 130007 | | | | | | | | | |
| DOCUMENT STATUS P1 | | | RELEASE DATE 2022/08/22 20:40:21 | | | MATERIAL NUMBER SEE TABLE | | | CUSTOMER GENERAL MARKET | | | DOCUMENT NUMBER SD-130007-006 | | | | | | | |
| | | | | | | | | | | | | DOC TYPE DOC PART REVISION PSD 001 B | | | | | | | |
| | | | | | | | | | | | | SHEET NUMBER 1 OF 1 | | | | | | | |