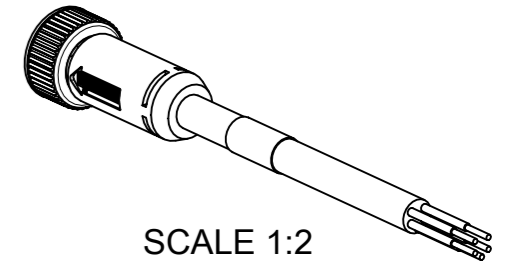
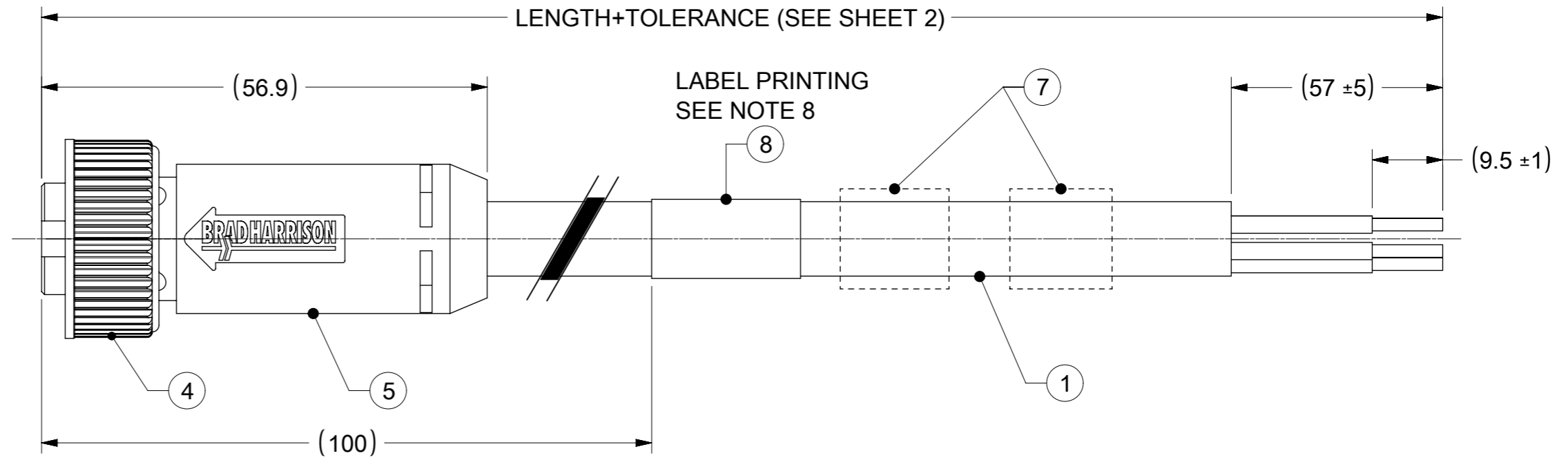
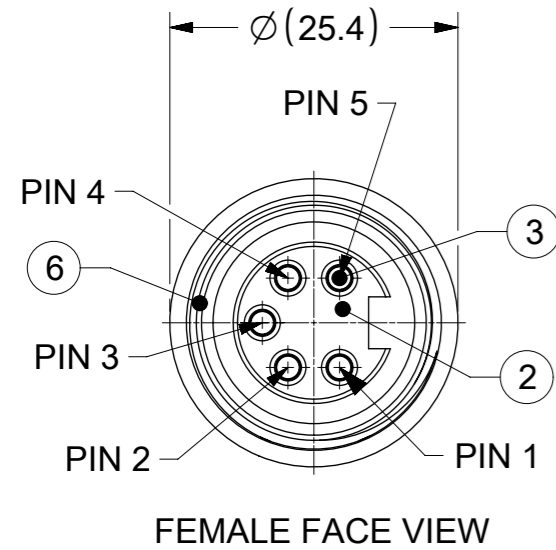


CABLE SPECIFICATION:

JACKET:
 COLOR: GRAY
 MATERIAL: TPU BASED COMPOUND
 DIAMETER: 8.50±0.30mm
 CONDUCTOR:
 INSULATION DIAMETER: 2.40mm
 INSULATION MATERIAL: TPE



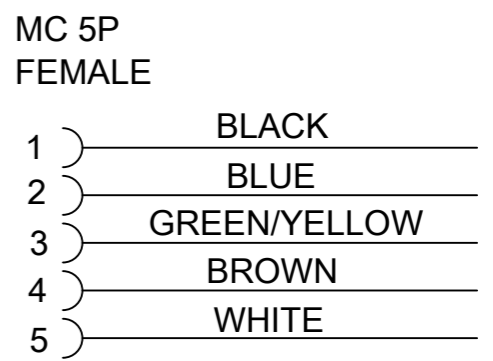
SCALE 1:2



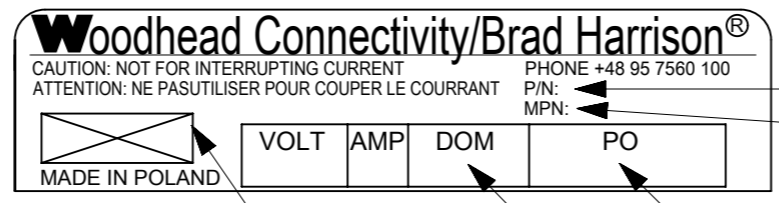
NOTES:

- MATERIAL: AS NOTED
- FINISH: AS NOTED
- ELECTRICAL:
 VOLTAGE: 600 V
 CURRENT: 10 A
- TEMP RATING:
 STATIC: -40 °C TO 90 °C
 DYNAMIC: -25 °C TO 80 °C
- PROTECTION: IP67 (WHEN MATED)
- UL CERTIFICATION: UL LISTED, FILE NO. E152210
- PART LIST AND MATRIX - SEE SHEET 2
- LABEL PRINTING ACC. STANDARD LABEL INSTRUCTION

WIRING DIAGRAM



LABEL PRINTING



ENGINEERING NO.
 MOLEX PN
 PO NO.
 PRODUCT. DATE
 CERTIFICATION SYMBOLS

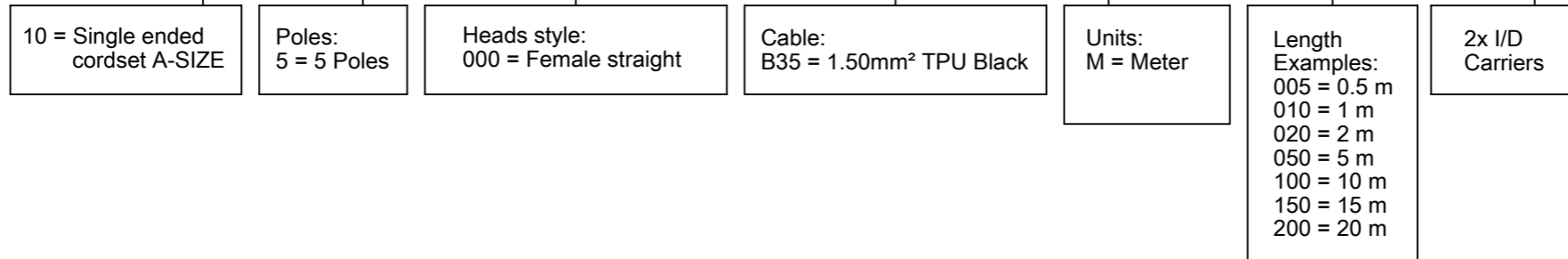
BILL OF MATERIAL

ITEM	DESCRIPTION	MATERIAL	FINISH/COLOR
1	#16-5 CABLE, WELD AND SLAG RESISTANT	TPU	GRAY
2	FEMALE INSERT	TPE	BLACK
3	SOCKET CONTACT	Cu ALLOY	GOLD OVER NICKEL
4	COUPLING NUT	ZINC DIE-CAST	BLACK E-COAT
5	OVERMOLD	TPE	BLACK
6	FRICTION RING	NYLON	WHITE
7	I/D CARRIER	PVC	TRASPARENT
8	WRAP LABEL	VINYL	YELLOW

FUNCTIONAL SYMBOLS $\nabla_A = 0$ $\nabla_E = 0$ $\nabla_V = 0$	THIS DRAWING CONTAINS INFORMATION THAT IS PROPRIETARY TO MOLEX ELECTRONIC TECHNOLOGIES, LLC AND SHOULD NOT BE USED WITHOUT WRITTEN PERMISSION	SCALE: 1:1	CURRENT REV DESC: NOTES UPDATED, LABEL PRINTING ADDED		
	mm	GENERAL TOLERANCES (UNLESS SPECIFIED)			
	4 PLACES ±	ANGULAR TOL ± 1.0°			
	3 PLACES ±	2 PLACES ± 0.05			
DIVISIONAL SYMBOLS 1 PLACE ± 0.3 0 PLACES ± 0.5	EC NO: 747270	DRWN: RSCHIEBER	2023/04/18	CSE MC 5P A-SIZE FE STR WSOR XM SE ID	
	CHK'D: RSILLER	APPR: RSILLER	2023/04/27	PRODUCT CUSTOMER DRAWING	
	INITIAL REVISION:	DRWN: AKABADI	2022/07/26	DOCUMENT NUMBER	DOC TYPE
	APPR: RSILLER	2023/01/30	1300068203	PSD	000
DRAFT WHERE APPLICABLE MUST REMAIN WITHIN DIMENSIONS		THIRD ANGLE PROJECTION	DRAWING: A3-SIZE	SERIES: 130006	MATERIAL NUMBER: SEE SHEET2
			CUSTOMER: GENERAL MARKET	SHEET NUMBER: 1 OF 2	

PART NUMBER MATIX

1 0 5 0 0 0 B 3 5 M X X X H



PART LIST

MOLEX PN	ENGINEERING NO.	L + Tol. [MM]
1300068203	105000B35M010H	1000 +56
1300068204	105000B35M020H	2000 +89
1300068205	105000B35M050H	5000 +165
1300068206	105000B35M100H	10000 +317
1300068207	105000B35M200H	20000 + 610
1300068208	105000B35M300H	30000 +610
1300068209	105000B35M350H	35000 +700

FUNCTIONAL SYMBOLS	THIS DRAWING CONTAINS INFORMATION THAT IS PROPRIETARY TO MOLEX ELECTRONIC TECHNOLOGIES, LLC AND SHOULD NOT BE USED WITHOUT WRITTEN PERMISSION		
= 0	DIMENSION UNITS mm	SCALE 1:1	CURRENT REV DESC: NOTES UPDATED, LABEL PRINTING ADDED
= 0	GENERAL TOLERANCES (UNLESS SPECIFIED)		
= 0	ANGULAR TOL ± 1.0 °		
DIVISIONAL SYMBOLS	4 PLACES ±	3 PLACES ±	EC NO: 747270 DRWN: RSCHIEBER 2023/04/18 CHK'D: RSILLER 2023/04/27 APPR: RSILLER 2023/04/27
	2 PLACES ± 0.05	1 PLACE ± 0.3	
	0 PLACES ± 0.5		INITIAL REVISION: DRWN: AKABADI 2022/07/26 APPR: RSILLER 2023/01/30
DRAFT WHERE APPLICABLE MUST REMAIN WITHIN DIMENSIONS			DRAWING A3-SIZE
		SERIES 130006	MATERIAL NUMBER SEE SHEET2
		CUSTOMER GENERAL MARKET	SHEET NUMBER 2 OF 2

molex

CSE MC 5P A-SIZE FE STR WSOR XM SE ID

PRODUCT CUSTOMER DRAWING

DOCUMENT NUMBER
1300068203

DOC TYPE	DOC PART	REVISION
PSD	000	A1