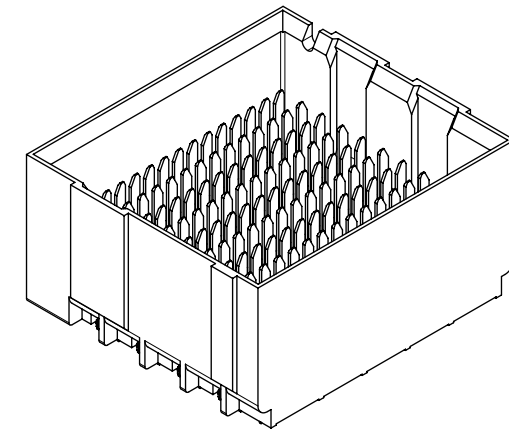


- NOTES:
1. MATERIALS: HOUSING - LIQUID CRYSTAL POLYMER (LCP)  
GLASS-FILLED, UL94V-0  
TERMINALS - HIGH PERFORMANCE COPPER ALLOY
  2. FINISH: 30μ MIN. GOLD IN CONTACT AREA.  
SELECTIVE TIN ON PCB TAILS.  
NICKEL OVERALL.
  3. REFER TO MOLEX PRODUCT SPECIFICATION PS-76060-999  
FOR PERFORMANCE SPECIFICATIONS AND ADDITIONAL PCB INFORMATION.
  4. THIS PART CONFORMS TO CLASS B REQUIREMENTS OF  
COSMETIC SPEC PS-45499-002.
  5. PARTS PACKAGED PER PK-70873-7702.
  6. SEE SHEETS 2 & 3 FOR PART NUMBERS AND BOARD RELATIONSHIPS.
  7. MATES WITH IMPACT DC SERIES NO. 76780.
  8. REFER TO MOLEX PCB ROUTING GUIDE AS-76060-990 FOR ANTIPAD AND  
ROUTING RECOMMENDATIONS.

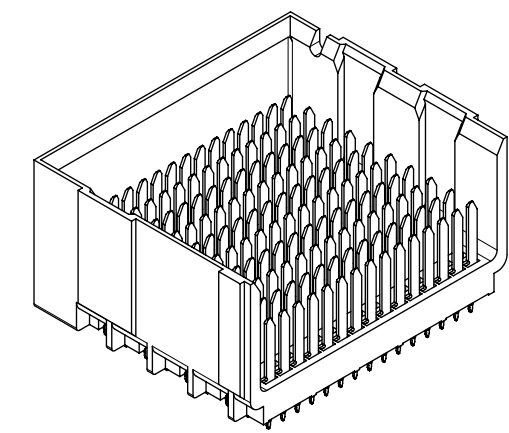
THIS DRAWING CONTAINS INFORMATION THAT IS PROPRIETARY TO MOLEX ELECTRONIC TECHNOLOGIES, LLC AND SHOULD NOT BE USED WITHOUT WRITTEN PERMISSION												
MIGRATED TO NX EC NO: 168852 DRWN: ABABU01 CHKD: CD REV / APPR: GGA	2017/10/31 2017/11/30 2017/12/01		GENERAL TOLERANCES (UNLESS SPECIFIED)			DIMENSION UNITS: MM		SCALE: 4:1		<b>molex</b>		
	ANGULAR TOL ± 0.5 °			DRWN BY: JLAURX		DATE: 2007/06/18		IMPACT BP 85 OHM 5 PAIR UNGUIDED ASSEMBLY SALES DRAWING				
	4 PLACES ±		CHKD BY: JLAURX		DATE: 2007/06/18							
	3 PLACES ±		APPR BY: JLAURX		DATE: 2010/07/12							
	2 PLACES ± 0.13		DRAWING SIZE: C		THIRD ANGLE PROJECTION							
1 PLACE ± 0.25		DRAFT WHERE APPLICABLE MUST REMAIN WITHIN DIMENSIONS		SERIES: 76775		MATERIAL NUMBER: SEE TABLE		CUSTOMER: GENERAL MARKET				
0 PLACES ±				DOCUMENT NUMBER: SD-76775-001		DOC TYPE: PSD		DOC PART: 001		SHEET NUMBER: 1 OF 3		

MATERIAL NUMBER	# OF COLUMNS	# OF DIFF. PAIR	DIM. A	DIM. B	DUAL END WALL OPTION
76775-*12*	10	50	21.7	17.10	
76775-*62*	16	80	33.1	28.50	



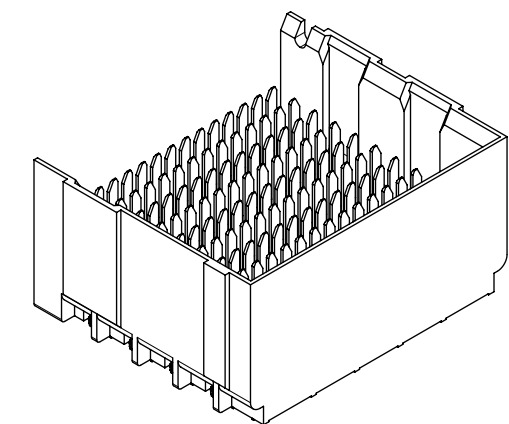
DUAL END  
WALL OPTION

MATERIAL NUMBER	# OF COLUMNS	# OF DIFF. PAIR	DIM. A	DIM. B	LEFT END WALL OPTION
76775-*11*	10	50	20.3	17.10	
76775-*61*	16	80	31.7	28.50	



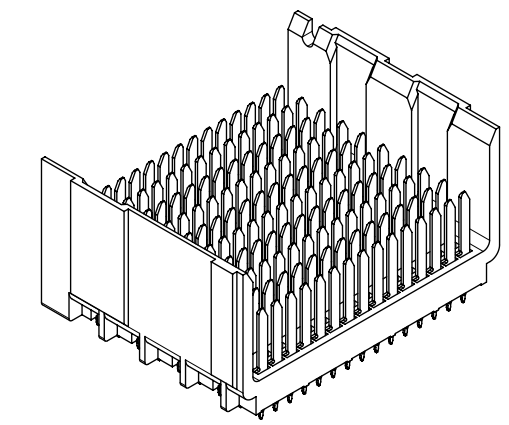
LEFT END  
WALL OPTION

MATERIAL NUMBER	# OF COLUMNS	# OF DIFF. PAIR	DIM. A	DIM. B	RIGHT END WALL OPTION
76775-*13*	10	50	20.3	17.10	
76775-*63*	16	80	31.7	28.50	

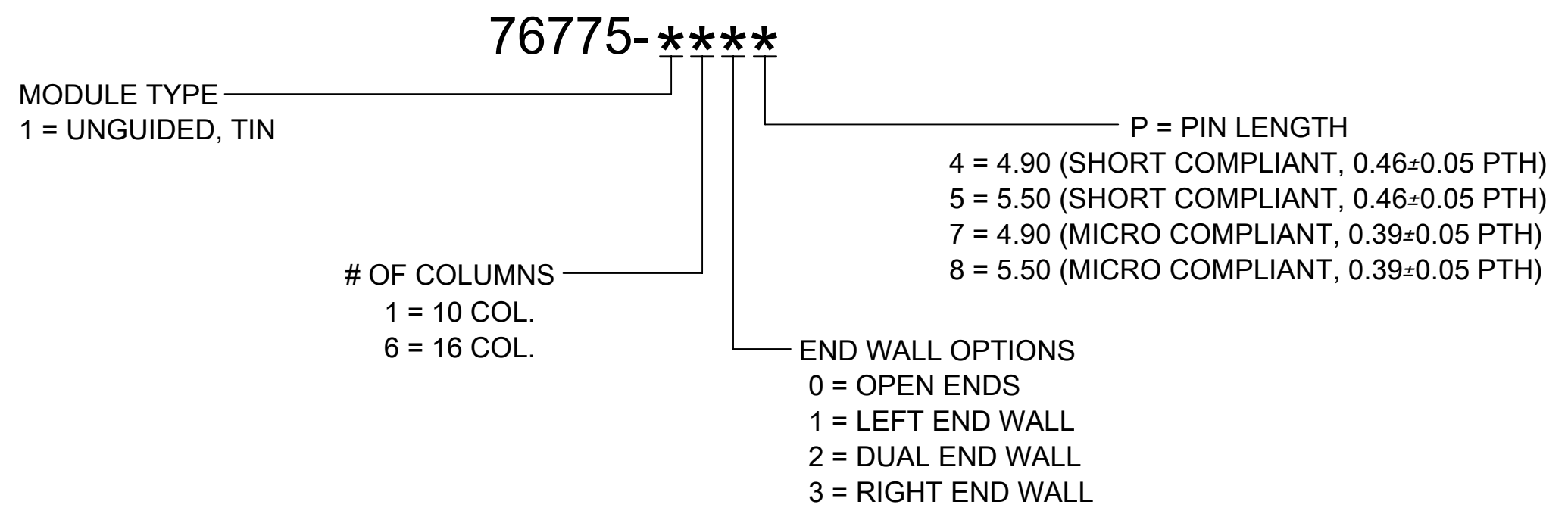


RIGHT END  
WALL OPTION

MATERIAL NUMBER	# OF COLUMNS	# OF DIFF. PAIR	DIM. A	DIM. B	OPEN WALL OPTION
76775-*10*	10	50	19.0	17.10	
76775-*60*	16	80	30.4	28.50	



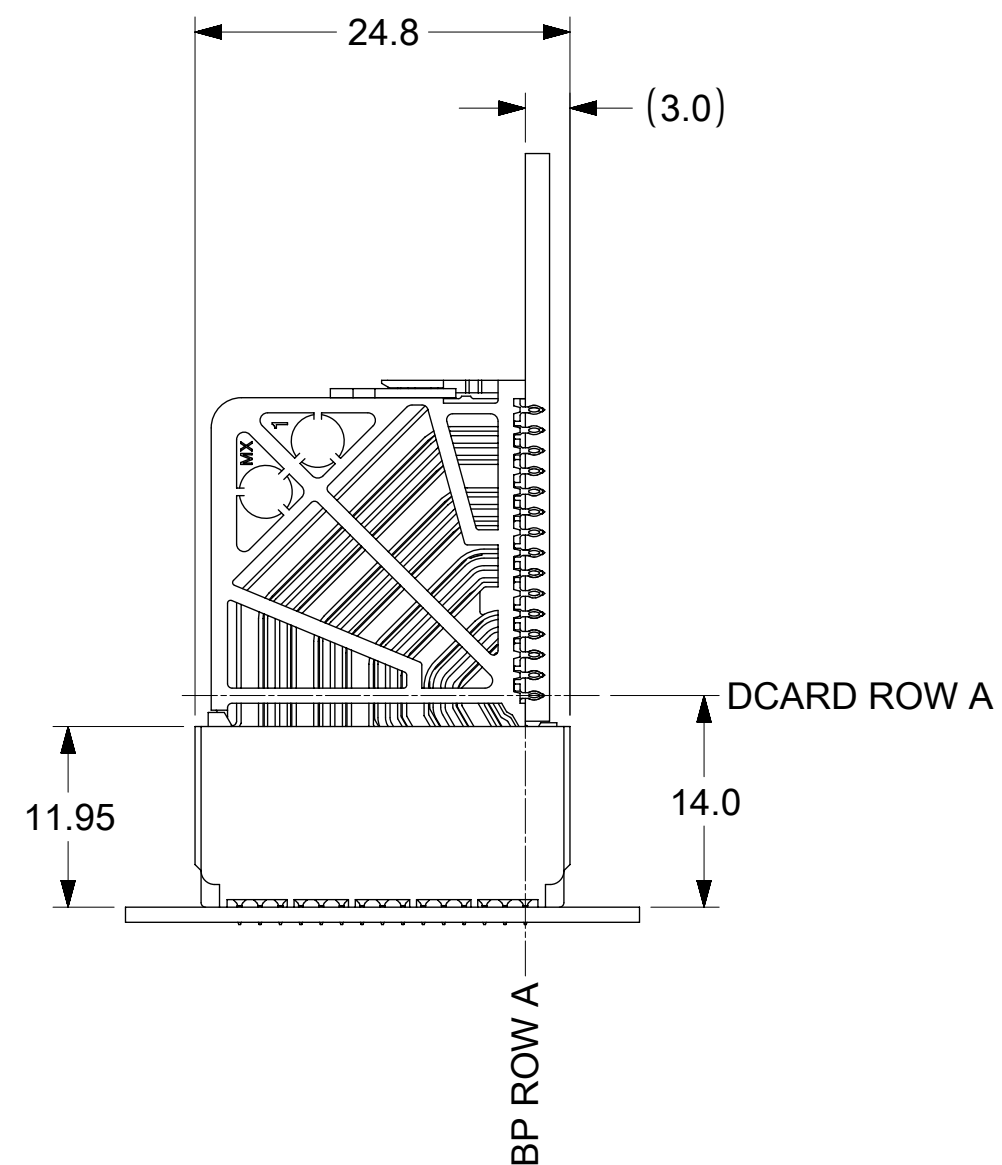
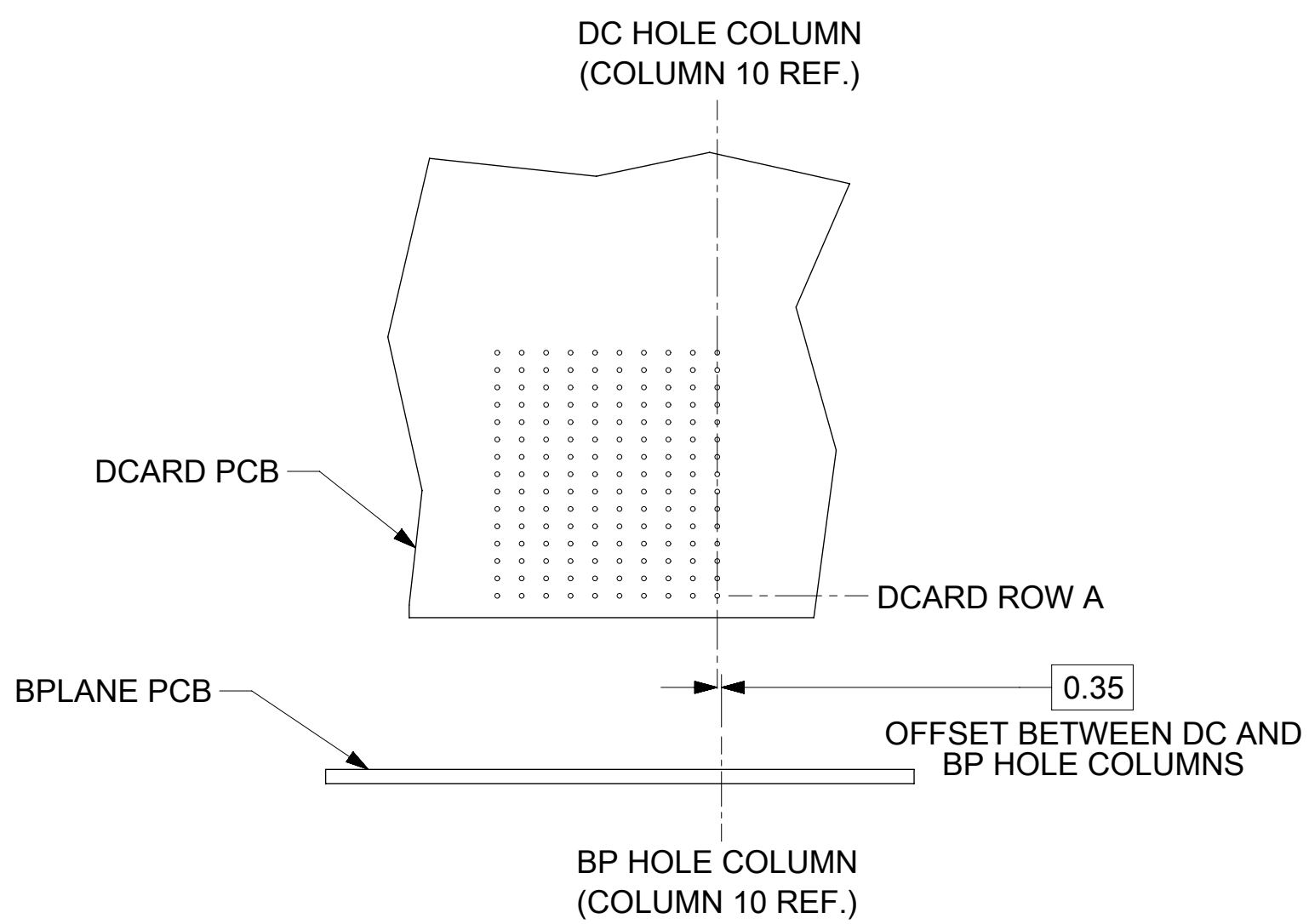
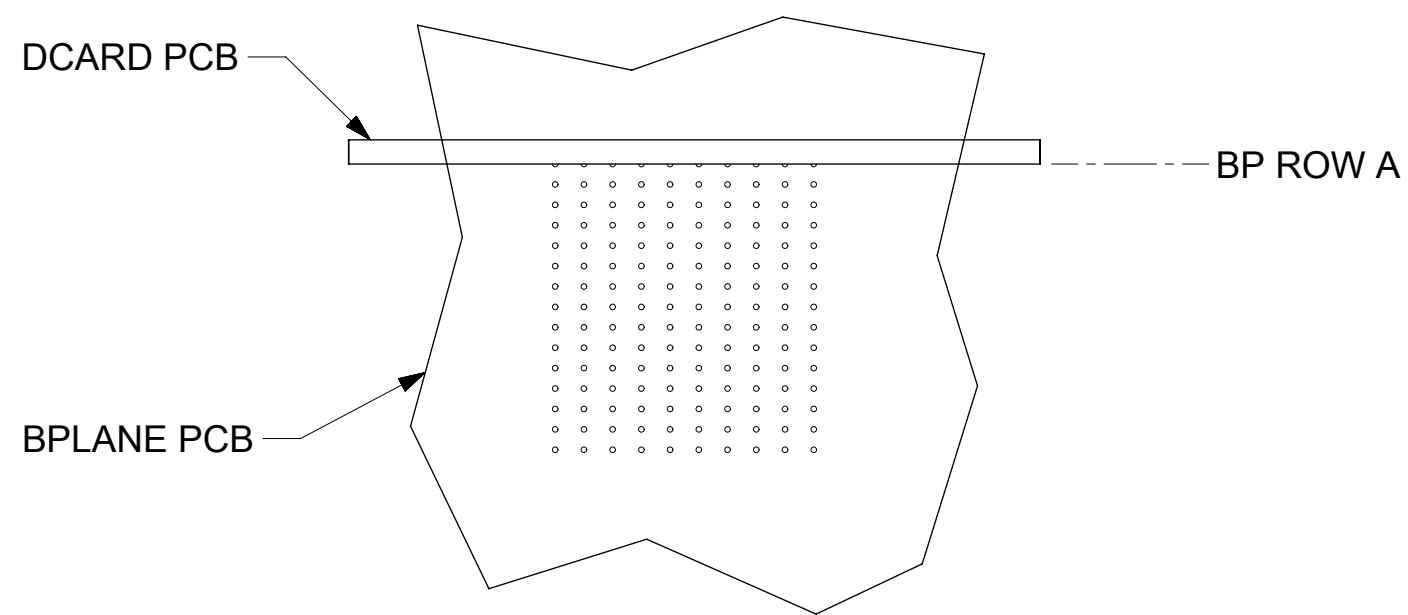
OPEN  
WALL OPTION



THIS DRAWING CONTAINS INFORMATION THAT IS PROPRIETARY TO MOLEX ELECTRONIC TECHNOLOGIES, LLC AND SHOULD NOT BE USED WITHOUT WRITTEN PERMISSION

MIGRATED TO NX EC NO: 168852 DRWN: ABABU01 CHKD: CD REV / APPR: GGA	2017/10/31	2017/11/30	2017/12/01	GENERAL TOLERANCES (UNLESS SPECIFIED)	DIMENSION UNITS: MM	SCALE: 2:1	<p>IMPACT BP 85 OHM 5 PAIR UNGUIDED ASSEMBLY SALES DRAWING</p> <p>PRODUCT CUSTOMER DRAWING</p>	
	DRWN BY: JLAURX			DATE: 2007/06/18	ANGULAR TOL ± 0.5 °	DRWN BY: JLAURX		DATE: 2007/06/18
	CHKD BY: JLAURX			DATE: 2007/06/18	4 PLACES ±	CHKD BY: JLAURX		DATE: 2007/06/18
	APPR BY: JLAURX			DATE: 2010/07/12	3 PLACES ±	APPR BY: JLAURX		DATE: 2010/07/12
DRAFT WHERE APPLICABLE MUST REMAIN WITHIN DIMENSIONS				2 PLACES ± 0.13	DRAWING SIZE: C	THIRD ANGLE PROJECTION	SERIES: 76775	
				1 PLACE ± 0.25			MATERIAL NUMBER: SEE TABLE	
				0 PLACES ±			CUSTOMER: GENERAL MARKET	
							DOCUMENT NUMBER: SD-76775-001	
							DOC TYPE: PSD	
							DOC PART: 001	
							SHEET NUMBER: 2 OF 3	

# IMPACT 5 PAIR BOARD RELATIONSHIPS



THIS DRAWING CONTAINS INFORMATION THAT IS PROPRIETARY TO MOLEX ELECTRONIC TECHNOLOGIES, LLC AND SHOULD NOT BE USED WITHOUT WRITTEN PERMISSION

MIGRATED TO NX EC NO: 168852 DRWN: ABABU01 CHKD: CD REV / APPR: GGA	GENERAL TOLERANCES (UNLESS SPECIFIED)		DIMENSION UNITS	SCALE	
	ANGULAR TOL ± 0.5 °		MM	2:1	
	4 PLACES ±	DRWN BY: JLAURX DATE: 2007/06/18			
	3 PLACES ±	CHKD BY: JLAURX DATE: 2007/06/18			
2 PLACES ± 0.13	APPR BY: JLAURX DATE: 2010/07/12		DRAWING SIZE: C THIRD ANGLE PROJECTION		SERIES: 76775 MATERIAL NUMBER: SEE TABLE CUSTOMER: GENERAL MARKET
1 PLACE ± 0.25	DRAFT WHERE APPLICABLE MUST REMAIN WITHIN DIMENSIONS		PRODUCT CUSTOMER DRAWING		DOCUMENT NUMBER: SD-76775-001 DOC TYPE: PSD DOC PART: 001 SHEET NUMBER: 3 OF 3
0 PLACES ±					