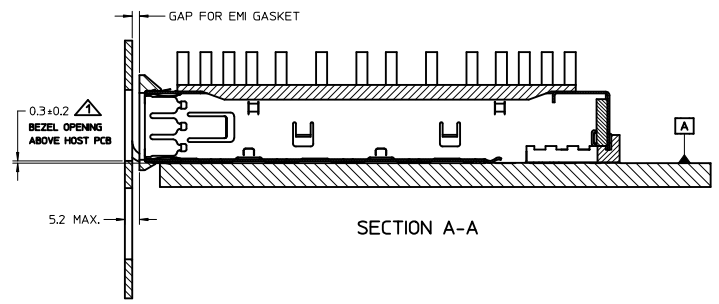
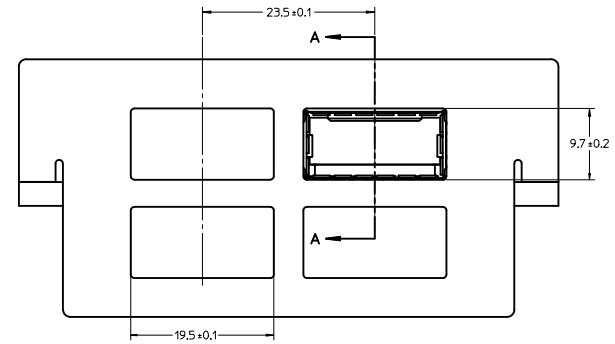
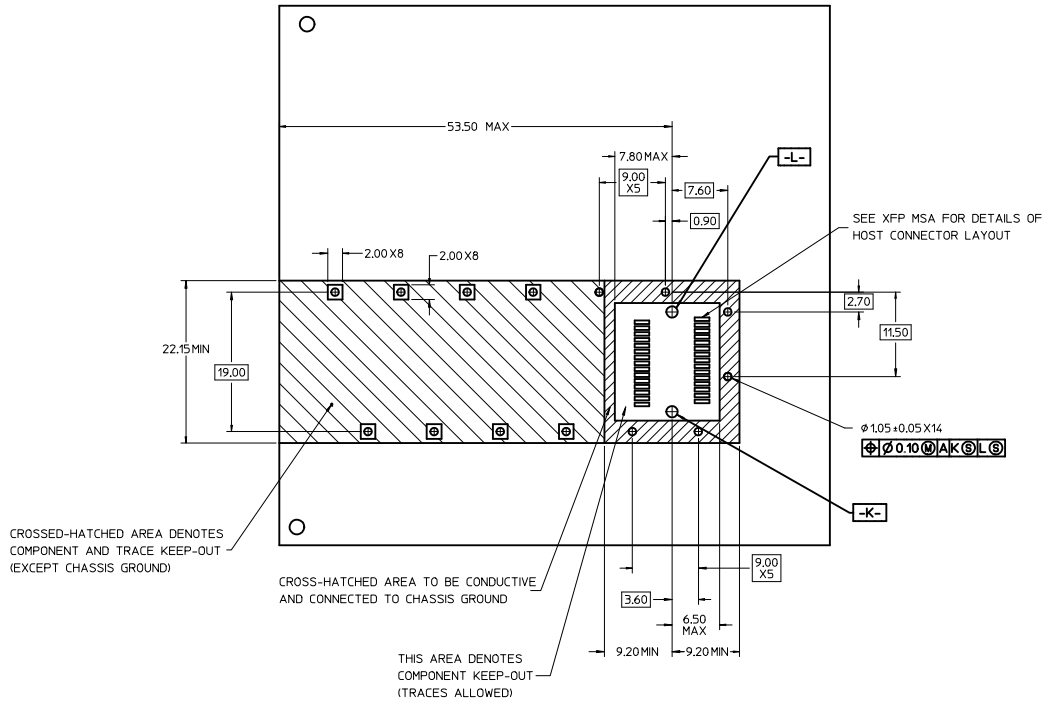


1. PRESS FIT LEGS 2.28mm [0.090"]
2. SINGLE SIDED BOARD THICKNESS
 NOMINAL: 1.60 [0.062"]
 MINIMUM: 1.44 [0.057"]
 BELLY TO BELLY BOARD THICKNESS
 NOMINAL: 2.30 [0.090"]
 MINIMUM: 2.07 [0.081"]
3. REFERENCE DOCUMENTS:
 PRODUCT SPECIFICATION: XFP MSA
4. THIS PRODUCT MEETS THE RESTRICTION OF HAZARDOUS SUBSTANCES IN ELECTRICAL AND ELECTRONIC EQUIPMENT (RoHS) DIRECTIVE (2009/95/EC).

ADDED NOTE PG 2 EC NO: USY2011-0301 DRAWN: JERWIN CHECKED: CHIRSCHY APPROVED: RAHMOOD DATE: 2010/03/10	DESCRIPTION XFP CAGE ASSEMBLY W/ INSULATING TAPE	QUALITY SYMBOLS		GENERAL TOLERANCES (UNLESS SPECIFIED)		DIMENSION STYLE		SCALE	DESIGN UNITS	THIRD ANGLE PROJECTION	
		mm INCH 4 PLACES ±.005 ±.005 3 PLACES ±.005 ±.005 2 PLACES ±0.10 ±.005 1 PLACE ±0.25 ±.005		MM ONLY		3:1	METRIC	DRAWN BY: JERWIN DATE: 2008/09/10 CHECKED BY: CHIRSCHY DATE: 2008/08/10 APPROVED BY: RAHMOOD DATE: 2010/11/23		TITLE: XFP CAGE ASSEMBLY W/ INSULATING TAPE	
		DRAFT WHERE APPLICABLE MUST REMAIN WITHIN DIMENSIONS		MATERIAL NO. 747360451		MOLEX INCORPORATED		DOCUMENT NO. SD-74736-0451		SHEET NO. 1 OF 3	
		SIZE D		THIS DRAWING CONTAINS INFORMATION THAT IS PROPRIETARY TO MOLEX INCORPORATED AND SHOULD NOT BE USED WITHOUT WRITTEN PERMISSION							



▲ FOR PCI APPLICATIONS RECOMMENDED DIMENSION IS 0.4 ±0.1

ADDED NOTE PG 2 EC NO: USY2011-0301 DRAWN: JERWIN 2010/03/01 CHKD: CHRSCHY APPR: RAHMOOD 2010/11/23	QUALITY SYMBOLS	GENERAL TOLERANCES (UNLESS SPECIFIED)	DIMENSION STYLE	SCALE	DESIGN UNITS	THIRD ANGLE PROJECTION
	▽=0 ▽=0	mm INCH 4 PLACES ± --- ± --- 3 PLACES ± --- ± --- 2 PLACES ± 0.10 ± --- 1 PLACE ± 0.25 ± --- ANGULAR ± 1°	MM ONLY	3:1	METRIC	TITLE: XFP CAGE ASSEMBLY W/ INSULATING TAPE DATE: 2008/09/10 DATE: 2008/08/10 DATE: 2010/11/23
	DRAFT WHERE APPLICABLE MUST REMAIN WITHIN DIMENSIONS	MATERIAL NO: 747360451 DOCUMENT NO: SD-74736-0451	MOLEX INCORPORATED	SHEET NO: 2 OF 3		
	THIS DRAWING CONTAINS INFORMATION THAT IS PROPRIETARY TO MOLEX INCORPORATED AND SHOULD NOT BE USED WITHOUT WRITTEN PERMISSION					

DATE	REV	DESCRIPTION
2008/09/10	A	1. INITIAL RELEASE
2009/05/07	B	1. REMOVED ISO VIEW FROM PAGE 1
		2. ADDED NOTES TO PAGE 1
		3. REMOVED NOTE 2 FROM PAGE 2
		4. REMOVED NOTE 3 FROM PAGE 1 AND RENUMBERED REMAINING NOTES
2010/03/01	C	1. ADDED NOTE - THIS AREA DENOTES COMPONENT KEEP-OUT (TRACES ALLOWED) PAGE 2.

REMOVED ISO VIEW IEC NO. USY2011-0301 DRAWN: JERWIN 2010/03/01 CHECKED: CHYK & CHRSCHY APPROVED: RMAHMOOD 2010/11/23	QUALITY SYMBOLS	GENERAL TOLERANCES (UNLESS SPECIFIED)	DIMENSION STYLE	SCALE	DESIGN UNITS	THIRD ANGLE PROJECTION
	=0 =0	mm INCH 4 PLACES ± --- ± --- 3 PLACES ± --- ± --- 2 PLACES ± 0.10 ± --- 1 PLACE ± 0.25 ± --- ANGULAR ± 1°	MM ONLY	1:1	METRIC	
	DRAWN BY: JERWIN CHECKED BY: CHRSCHY APPROVED BY: RMAHMOOD	DATE: 2008/09/10 DATE: 2008/08/10 DATE: 2010/11/23	TITLE	XFP CAGE ASSEMBLY W/ INSULATING TAPE		
	MATERIAL NO. 747360451	DOCUMENT NO. SD-74736-0451	Molex MOLEX INCORPORATED			
DRAFT WHERE APPLICABLE MUST REMAIN WITHIN DIMENSIONS		THIS DRAWING CONTAINS INFORMATION THAT IS PROPRIETARY TO MOLEX INCORPORATED AND SHOULD NOT BE USED WITHOUT WRITTEN PERMISSION				
		SIZE D		SHEET NO. 3 OF 3		