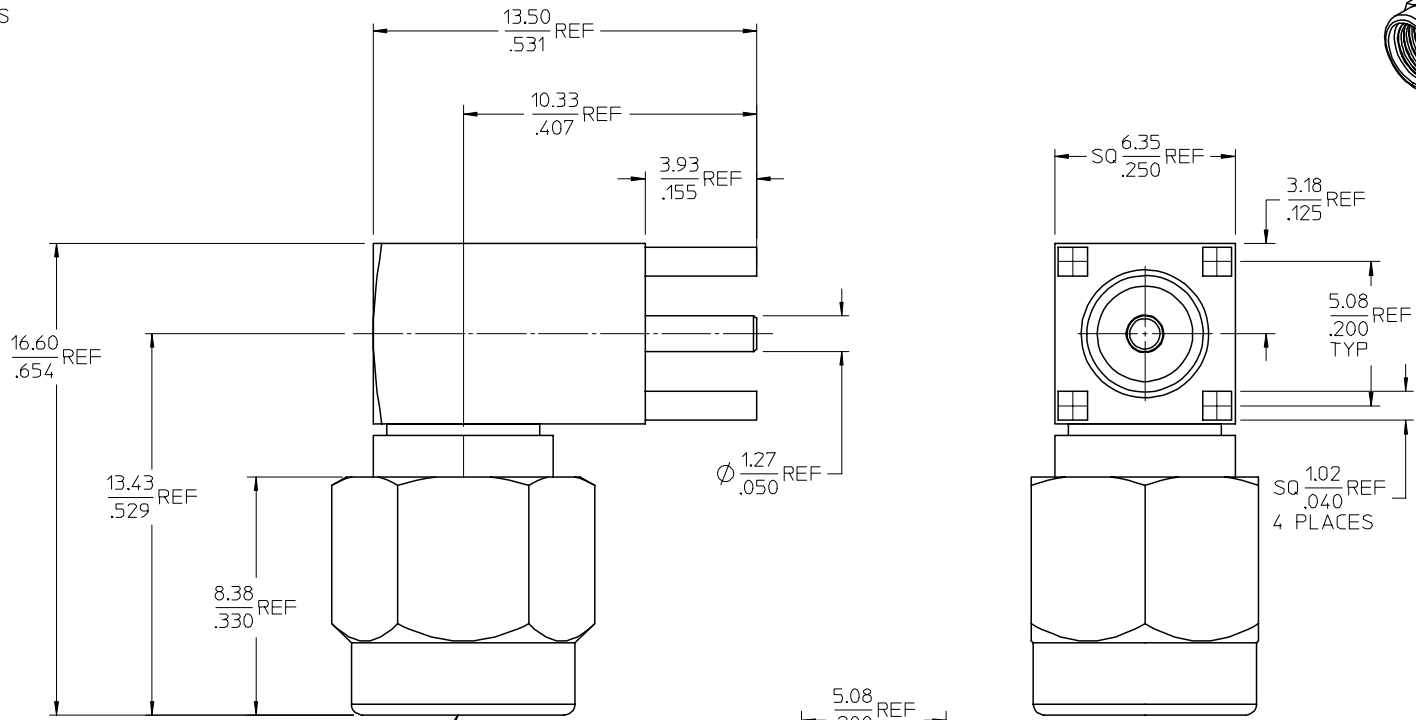
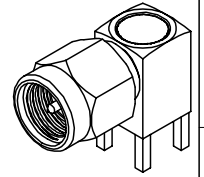


MATERIALS AND FINISHES

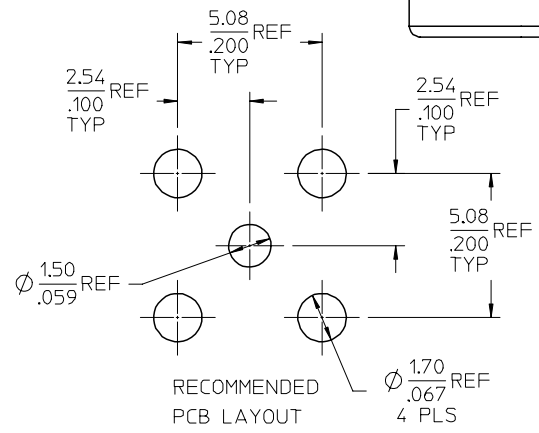
BODY, COVER, C'NUT BRASS
PLATED GOLD

CENTER CONTACT BRASS
PLATED GOLD

INSULATORS TEFLON



SMA PLUG
INTERFACE



PART # 73251-2940

MIL-STD-348A, FIG. 310-1

INTERFACE

SPECIFICATION

DESCRIPTION

CHG: ADDED SHT 2
ADDED P/N
73251-2941

EC NO: URF2007-0200
DRAWN: FLAHERTY 2006/11/10
CHKD: SHAH 2006/11/10
APPR: JIMENER 2006/11/10

REVISION DESCRIPTION

QUALITY SYMBOLS

$\nabla=0$

$\nabla=0$

GENERAL TOLERANCES (UNLESS SPECIFIED)

	mm	INCH
4 PLACES	± .005	± .0005
3 PLACES	± .005	± .0005
2 PLACES	± .005	± .0005
1 PLACE	± .005	± .0005

ANGULAR ± 2 °

DRAFT WHERE APPLICABLE
MUST REMAIN
WITHIN DIMENSIONS

DIMENSION STYLE
MM/IN

DRAWN BY	DATE
SSS	2006/04/20
CHECKED BY	DATE
TEF	2006/04/20
APPROVED BY	DATE
JDW	2006/04/20

MATERIAL NO.
732512940

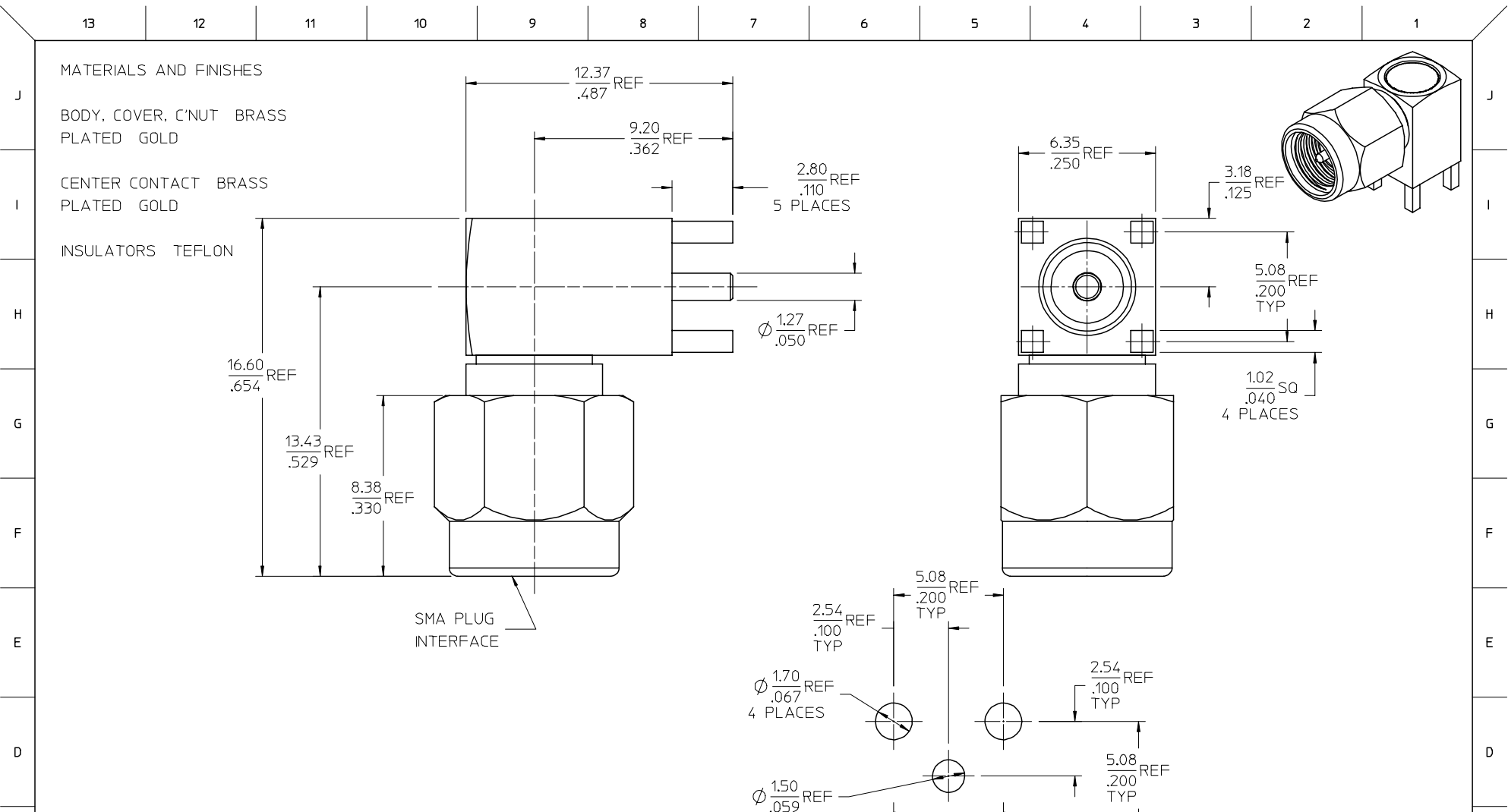
SIZE
C

SCALE
DESIGN UNITS
METRIC

THIRD ANGLE PROJECTION

SMA PLUG, R/A, PCB
50 OHMS, EWR-3072
SMA-P/PCB

MOLEX INCORPORATED
DOCUMENT NO.
SD-73251-294
SHEET NO.
1 OF 2



PART # 73251-2941

MIL-STD-348A, FIG. 310-1	INTERFACE
SPECIFICATION	DESCRIPTION

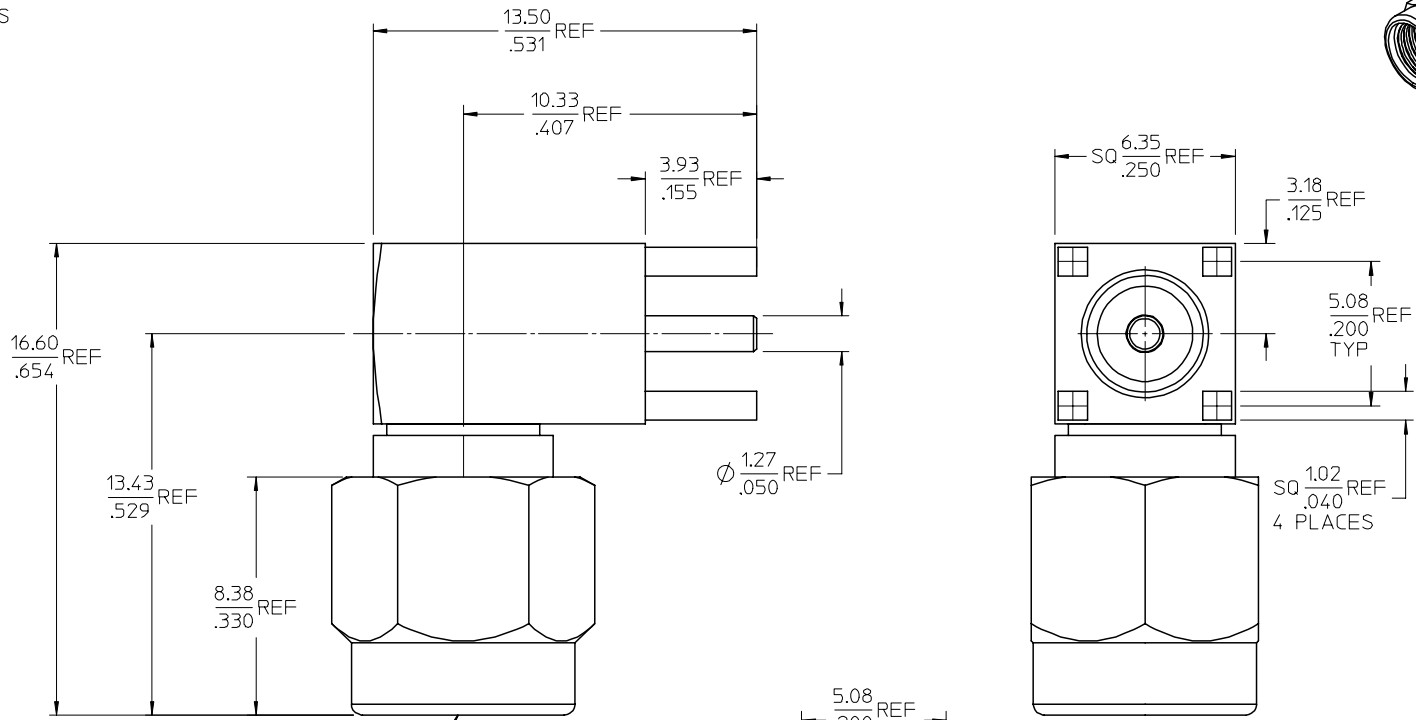
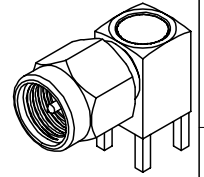
CHG: SEE SHEET 1 FC NO: URF2007-0200 DRAWN: IFLAHERTY 2006/11/10 CHKD: SHAH 2006/11/10 APPR: JIMENER 2006/11/10	QUALITY SYMBOLS =0 =0	GENERAL TOLERANCES (UNLESS SPECIFIED)		DIMENSION STYLE MM/IN		SCALE	DESIGN UNITS METRIC	THIRD ANGLE PROJECTION
		4 PLACES ±	±	DRAWN BY SSS	DATE 2006/04/20	TITLE SMA PLUG, R/A, PCB 50 OHMS, EWR-3072 SMA-P/PCB		
B2	DESCRIPTION	3 PLACES ±	±	CHECKED BY TEF	DATE 2006/04/20	MOLEX INCORPORATED		SHEET NO. 2 OF 2
		2 PLACES ±	±	APPROVED BY JDW	DATE 2006/04/20	SD-73251-294		
		1 PLACE ±	±	MATERIAL NO. 732512941		DOCUMENT NO.		
DRAFT WHERE APPLICABLE MUST REMAIN WITHIN DIMENSIONS		ANGULAR ± 2 °		SIZE C		THIS DRAWING CONTAINS INFORMATION THAT IS PROPRIETARY TO MOLEX INCORPORATED AND SHOULD NOT BE USED WITHOUT WRITTEN PERMISSION		

MATERIALS AND FINISHES

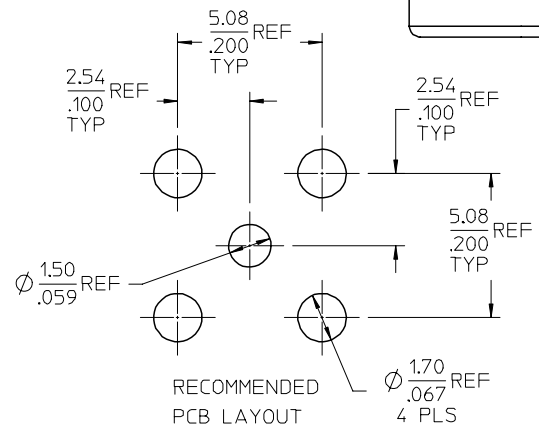
BODY, COVER, C'NUT BRASS
PLATED GOLD

CENTER CONTACT BRASS
PLATED GOLD

INSULATORS TEFLON



SMA PLUG
INTERFACE



PART # 73251-2940

MIL-STD-348A, FIG. 310-1

INTERFACE

SPECIFICATION

DESCRIPTION

CHG: ADDED SHT 2
ADDED P/N
73251-2941

EC NO: URF2007-0200
DRAWN: FLAHERTY 2006/11/10
CHKD: SHAH 2006/11/10
APPR: JIMENER 2006/11/10

REVISION DESCRIPTION

QUALITY SYMBOLS

$\nabla=0$

$\nabla=0$

GENERAL TOLERANCES (UNLESS SPECIFIED)

	mm	INCH
4 PLACES	± .005	± .0005
3 PLACES	± .005	± .0005
2 PLACES	± .005	± .0005
1 PLACE	± .005	± .0005

ANGULAR ± 2 °

DRAFT WHERE APPLICABLE
MUST REMAIN
WITHIN DIMENSIONS

DIMENSION STYLE
MM/IN

DRAWN BY	DATE
SSS	2006/04/20
CHECKED BY	DATE
TEF	2006/04/20
APPROVED BY	DATE
JDW	2006/04/20

MATERIAL NO.
732512940

SCALE

DESIGN UNITS
METRIC

THIRD ANGLE PROJECTION

SMA PLUG, R/A, PCB
50 OHMS, EWR-3072
SMA-P/PCB

MOLEX INCORPORATED

DOCUMENT NO.
SD-73251-294

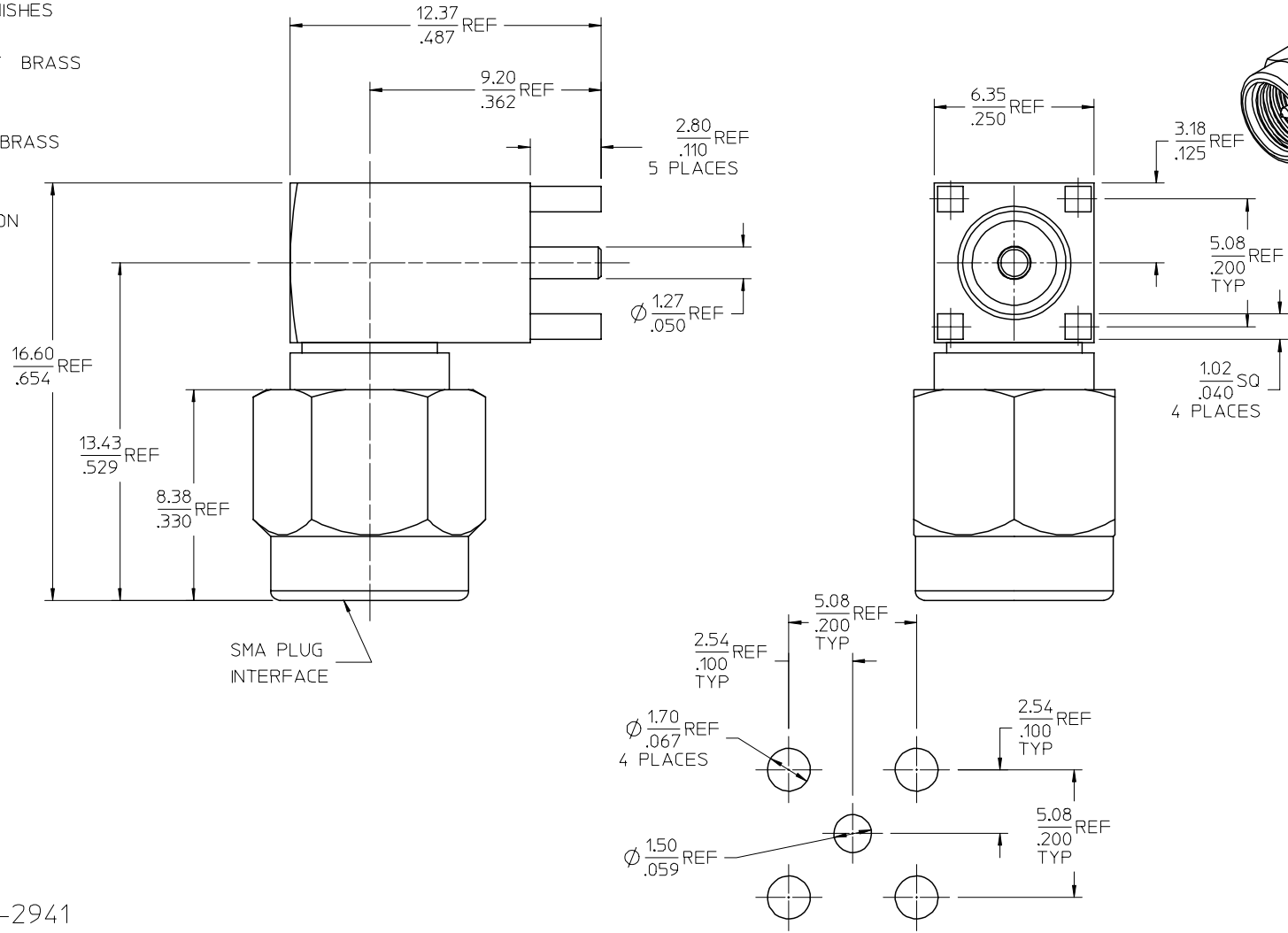
SHEET NO.
1 OF 2

MATERIALS AND FINISHES

BODY, COVER, C'NUT BRASS
PLATED GOLD

CENTER CONTACT BRASS
PLATED GOLD

INSULATORS TEFLON



SMA PLUG
INTERFACE

RECOMMENDED
PCB LAYOUT

PART # 73251-2941

MIL-STD-348A, FIG. 310-1

INTERFACE

SPECIFICATION

DESCRIPTION

CHG: SEE SHEET 1 FC NO: URF2007-0200 DRAWN: IFLAHERY 2006/11/10 CHKD: SHAH 2006/11/10 APPR: JIMENER 2006/11/10 REV: B2	QUALITY SYMBOLS =0 =0	GENERAL TOLERANCES (UNLESS SPECIFIED)		DIMENSION STYLE MM/IN		SCALE	DESIGN UNITS METRIC	THIRD ANGLE PROJECTION
		4 PLACES ± --- ± ---	3 PLACES ± --- ± ---	2 PLACES ± --- ± ---	1 PLACE ± --- ± ---	ANGULAR ± 2 °	DRAWN BY SSS	DATE 2006/04/20
DRAFT WHERE APPLICABLE MUST REMAIN WITHIN DIMENSIONS		MATERIAL NO. 732512941		APPROVED BY JDW		DATE 2006/04/20	MOLEX INCORPORATED SD-73251-294	
		SIZE C		THIS DRAWING CONTAINS INFORMATION THAT IS PROPRIETARY TO MOLEX INCORPORATED AND SHOULD NOT BE USED WITHOUT WRITTEN PERMISSION		SHEET NO. 2 OF 2		