

6

5

4

3

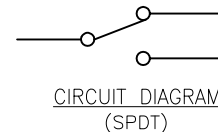
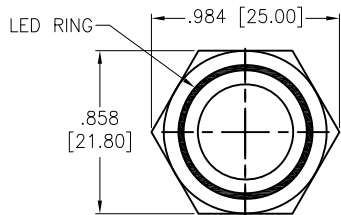
2

1

APPROVED: \_\_\_\_\_

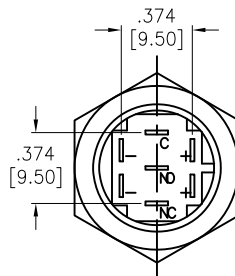
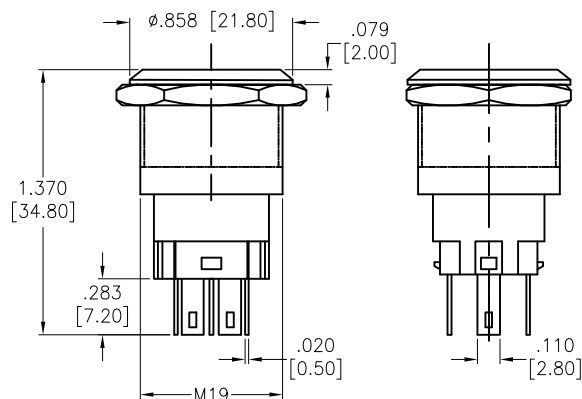
DATE: \_\_\_\_\_ TITLE: \_\_\_\_\_

Rev	AWO #	Description	Date	Appr
-		RELEASED	11/24/20	



Z= Latching  
S= Momentary

SW-PB2-2EX-A-RX-X-L1A



	LED Color
Blank	Standard Black
W	White
R	Red
G	Green
Y	Yellow (Amber)
B	Blue
O	Orange
S	Silver
RG	Red/Green
RY	Red/Yellow
RB	Red/Blue
RW	Red/White
GB	Green/Blue
RGB	Red/Green/Blue
RGY	Red/Green/Yellow
RGW	Red/Green/White
RBY	Red/Blue/Yellow
RBW	Red/Blue/White

	LED Voltage
1	3V
2	6V
3	12V
4	24V
5	48V
6	110V
7	220V

SPECIFICATIONS:

Material:  
The crust material: Stainless steel, Copper plated Nickel  
Electrical:  
Switch Rating: 5A, 250VAC  
Contact resistance: 30 mΩ max  
Insulation resistance: 100 Mohms min (500VDC)  
Dielectric withstanding voltage: 2000 VAC  
Temperature Rating:  
Operating temperature: -25°C to +55°C  
Environmental:  
Lead free, RoHS compliant



UNLESS OTHERWISE SPECIFIED ALL DIMENSIONS ARE INCHES [MM] TOLERANCES: EXCEPT AS NOTED INCHES HOLES .X ± .10 Ø.X ± .10 .XX ± .020 Ø.XX ± .015 .XXX ± .015 Ø.XXX ± .010		<b>ADAM TECH</b> 909 Rahway Avenue, Union, NJ 07083 Phone: 908-687-5000 Fax: 908-687-5710	
APPROVALS		DATE	
DRAWN	OW	11/24/20	
CHECKED	AC	11/24/20	
APPROVED			
TITLE SWITCH, PUSH BUTTON, PLASTIC WATERPROOF, SPDT, 1NO-1NC, ILLUMINATED RING, SOLDER TYPE			
SIZE X	PART NO. SW-PB2-2EX-A-RX-X-L1A	REV. -	
REF: -	SCALE: NTS	SHEET 1 OF 1	

6

5

4

3

2

1