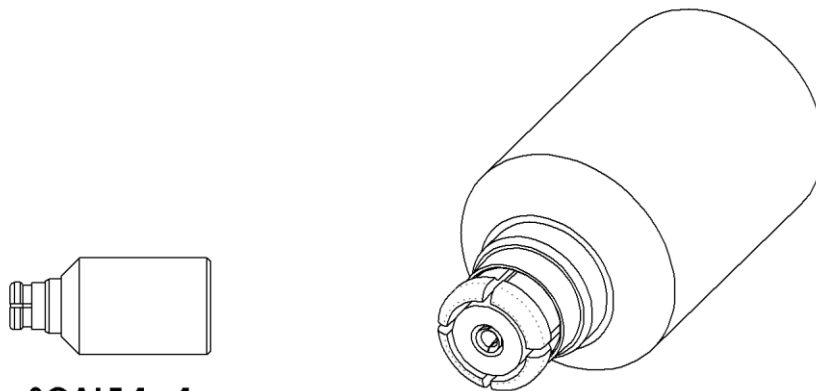
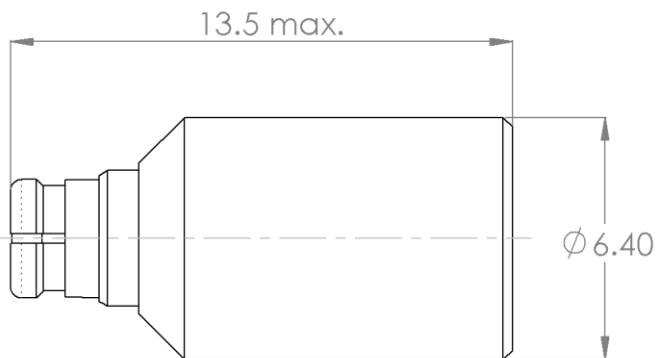
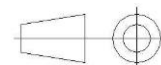


PAGE 1/2	ISSUE 14-08-19D	SERIES <b>TERMINATION</b>	PART NUMBER <b>R404262000</b>
----------	-----------------	------------------------------	-------------------------------



**SCALE 1 : 1**

All dimensions are in mm. Tolerances according ISO 2768 m-H



COMPONENTS	MATERIALS	PLATING (µm)
Body	<b>BRASS</b>	<b>GOLD 1.3 OVER NICKEL 2</b>
Center contact	<b>BERYLLIUM COPPER</b>	<b>GOLD 1.3 OVER NICKEL 1.3</b>
Outer contact		
Insulator	<b>PTFE</b>	
Gasket		
Substrate	<b>ALUMINA</b>	
Resistor	<b>THIN FILM</b>	
Others parts		

PAGE 2/2	ISSUE 14-08-19D	SERIES <b>TERMINATION</b>	PART NUMBER <b>R404262000</b>
----------	-----------------	------------------------------	-------------------------------

### ELECTRICAL CHARACTERISTICS

Frequency (GHz)	<b>DC - 18</b>	<b>18 - 26.5</b>	<b>26.5 - 40</b>
V.S.W.R ( $\leq$ )	<b>1.30</b>	<b>1.35</b>	<b>1.70</b>

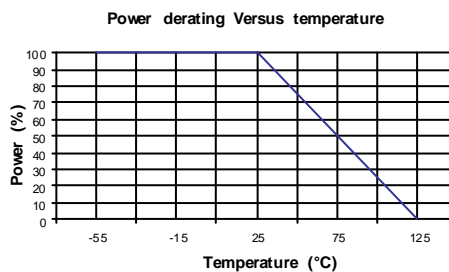
Operating Frequency Range	<b>DC - 40</b>	GHz
Impedance	<b>50</b>	$\Omega$
DC Resistance	<b>50</b>	$\Omega \pm 5\%$
Peak power at 25°C (1 $\mu$ s, 1%)	<b>100</b>	W
Average power at 25°C	<b>0.5</b>	W (Free Air Cooled)
		W (Conduction Cooled)

### MECHANICAL CHARACTERISTICS

Connectors	<b>SMP</b>	<b>Female</b>	<b>DESC A 14933 Rev C</b>
Weight	<b>2,2500</b> g		

### ENVIRONMENTAL CHARACTERISTICS

Operating temperature range	<b>-55/+125</b>	°C
Storage temperature range	<b>-55/+125</b>	°C



### SPECIFICATION

### OTHER CHARACTERISTICS