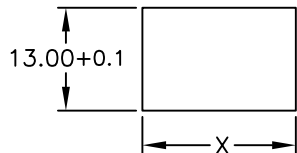
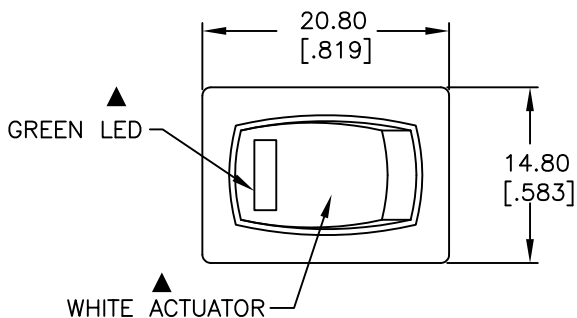


PANEL THICKNESS	X dimension
0.75-1.25 [.030-.049]	19.2-0.1 [.756]
1.25-2.0 [.049-.079]	19.4-0.1 [.764]
2.0-3.0 [.079-.118]	19.8-0.1 [.780]



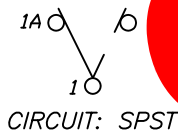
PANEL CUTOUT  
NOT TO SCALE



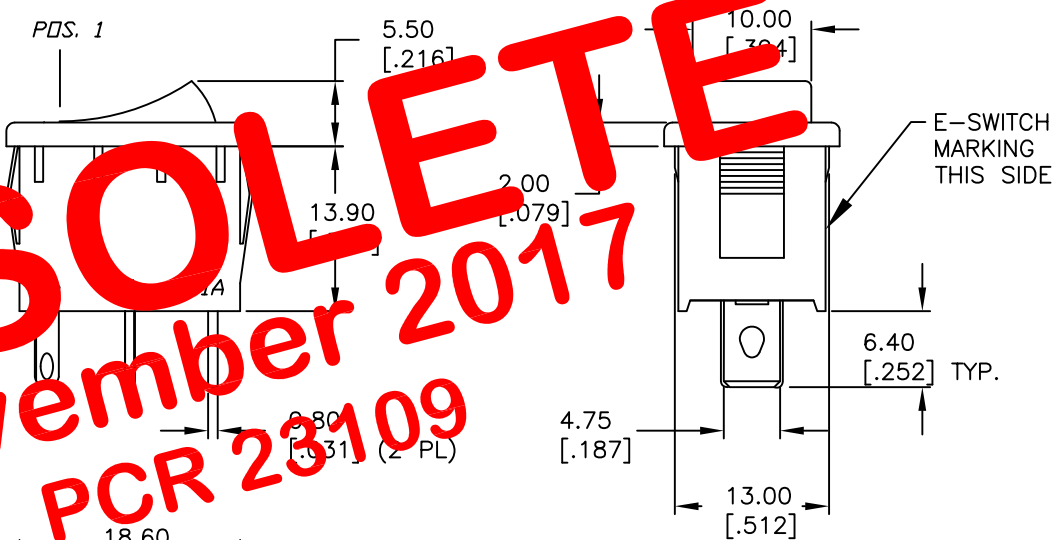
GREEN L.E.D

PARAMETERS	SYMBOL	MAX.	TYP.	UNITS
POWER DISSIPATION	$P_D$	80		mW
AVERAGE FORWARD CURRENT	$I_{AF}$	--		mA
PEAK FORWARD CURRENT	$I_{PF}$	100		mA
REVERSE VOLTAGE	$V_R$	5		V
FORWARD VOLTAGE	$V_F$	2.6	2	V
REVERSE CURRENT	$I_R$		100	$\mu$ A
EMISSION WAVELENGTH	$\lambda_P$		570	nm
LUMINOUS INTENSITY	$I_v$		30	mcd

SWITCH FUNCTION	
PDS. 1	PDS. 2
ON	OFF
1-1a	OPEN



**OBSOLETE**  
November 2017  
PCR 23109



LED SOLDER TERMINALS  
0.15 x 2.00

- NOTES:
- ALL DIMENSIONS IN MM [INCH]
  - GENERAL TOLERANCE: X.X=±0.4  
X.XX=±0.25
  - TERMINAL NUMBERS FOR REF ONLY
  - RATING: 15A @ 125VAC OR 6A @ 250VAC
  - MATERIALS: (TERMINALS) SILVER PLATED COPPER  
(CONTACTS) COIN SILVER, SILVER PLATED.
  - CONTACT RESISTANCE: <20 Mega
  - ELECTRIC LIFE: 10,000 cycles
  - INSULATION RESISTANCE: >1000 Mega
  - DIELECTRIC STRENGTH: >1500V 1 minute  
>3000V between Poles
  - ▲ DENOTES CRITICAL PARAMETER.

**E-SWITCH®**

REV.	ECN No.	DESCRIPTION	DATE	CHKD
A	14444	RELEASED FOR PRODUCTION	10/29/04	AR

TITLE R1966ABLKWHTFGRN				
SCALE 1.5:1	DATE 10/29/04	DR AR	DWG M309208	REV A

THE INFORMATION CONTAINED IN THIS DOCUMENT IS PROPRIETARY TO E-SWITCH AND IS NOT TO BE COPIED OR TRANSFERRED