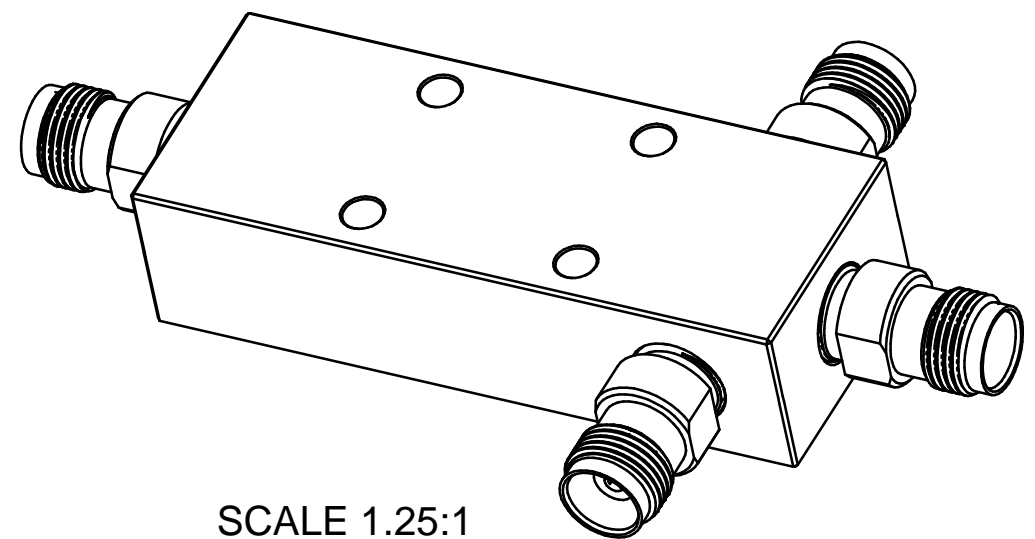
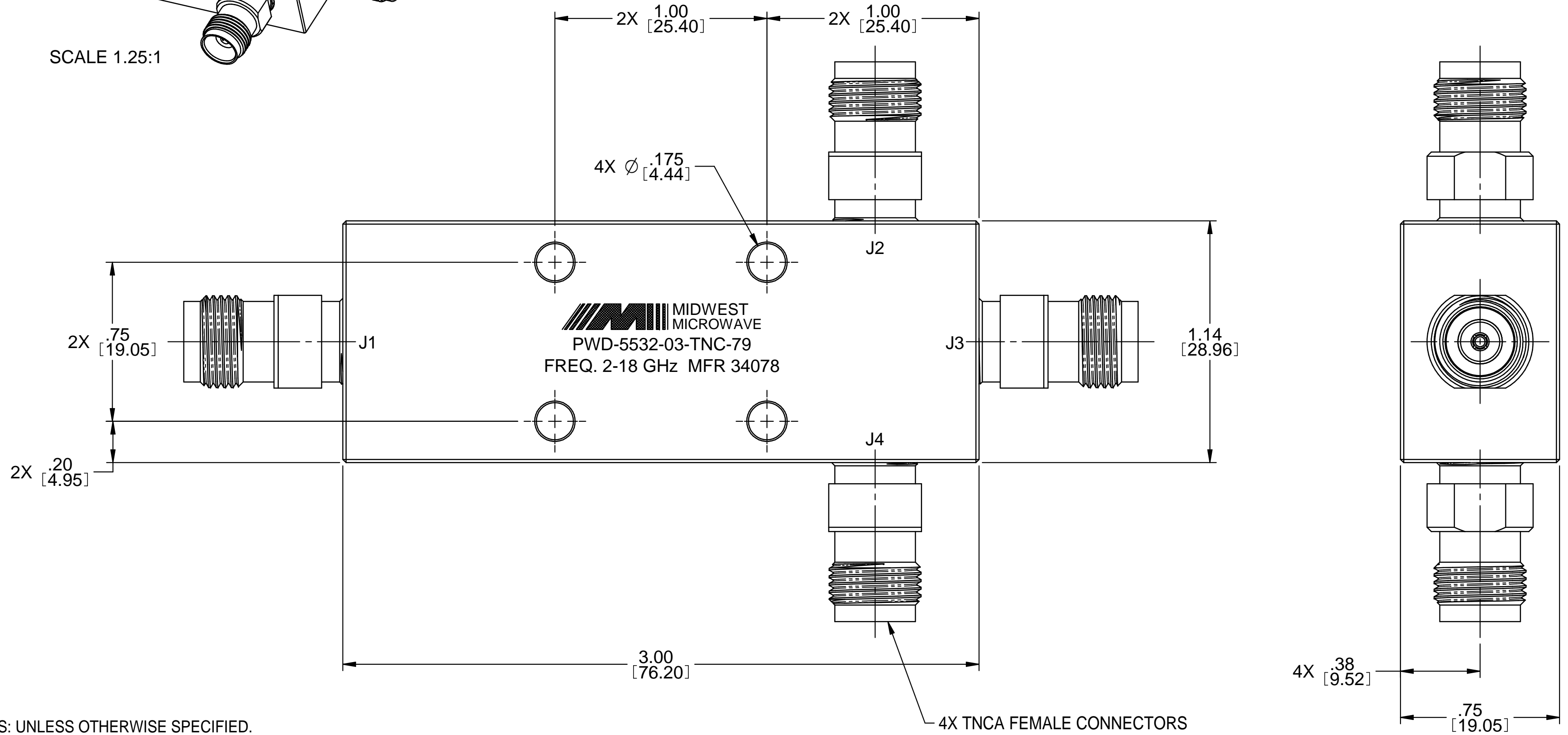


REV	ECO	DATE
A	24442	9/16/12
B	24750	5/2/13



SCALE 1.25:1



NOTES: UNLESS OTHERWISE SPECIFIED.

- ELECTRICAL SPECIFICATIONS:
  - FREQUENCY RANGE: 2.0 TO 18.0 GHz
  - INSERTION LOSS: 1.2 dB MAX.
  - ISOLATION: 18 dB MIN.
  - VSWR: 1.80:1 MAX.
  - OUTPUT UNBALANCE:
    - AMPLITUDE: 0.6 dB
    - PHASE: 10° MAX.
  - MAXIMUM INPUT POWER: 30.0 WATTS (WITH OUTPUT LOADS OF ≤ 2.0:1)
  - OPERATING TEMP. RANGE: -65°C TO +125°C

- FINISHING:
  - GRAY OVER MIL-E-15090 TYPE II, CLASS 2 OVER MIL-C-5541 CLASS 3A. MEETS MIL-F-14072 & MIL-E-5400.
  - MARK UNIT AS SHOWN.

3. DIMENSION IN BRACKETS ARE MILLIMETERS.

4X TNC FEMALE CONNECTORS PER MIL-STD-348, FIG 313-4 (INTERFACE ALSO MEETS TYPE TNC 18 GHz GRADE 1, PER IEC 169-26, FIG. 2)

OUTLINE DRAWING

	Model No. PWD-5532-03-TNC-79		<b>MIDWEST MICROWAVE</b>	
		Cage Code 34078	Title POWER DIVIDER	Material
		3RD ANGLE PROJECTION		Drawing No. PWD-5532-03-TNC-79-01
	<small>UNLESS OTHERWISE SPECIFIED</small> UNITS: INCHES .XX ±.02 .XXX ±.005 ANGLES ±1°		Drawn by CWW Date 8/13/13 Approved by PAK Date 8/14/13	Size C DO NOT SCALE DRAWING Scale 2.5:1