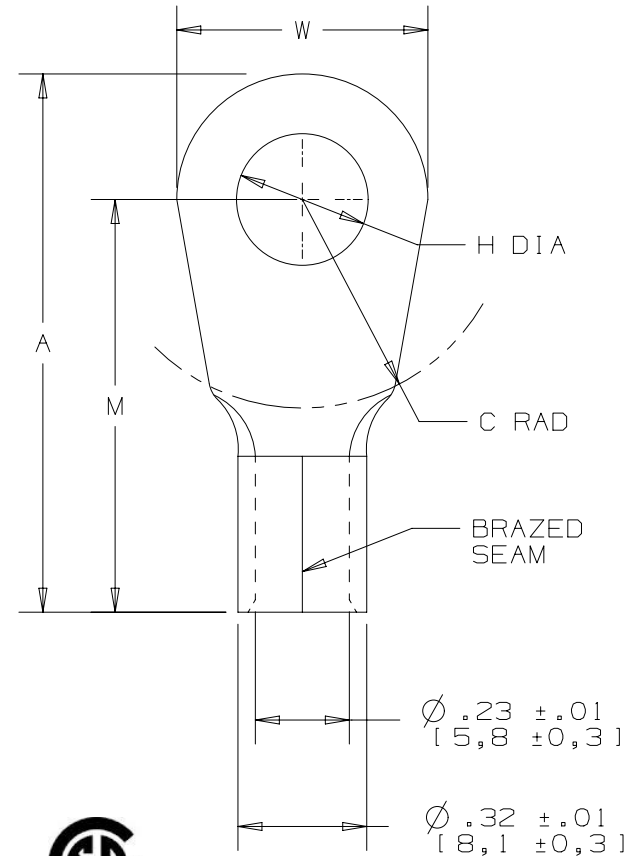


THIS COPY IS PROVIDED ON A RESTRICTED BASIS AND IS NOT TO BE USED IN ANY WAY DETRIMENTAL TO THE INTERESTS OF PANDUIT CORP.

| PANDUIT PART NUMBER | STUD SIZE | DIMENSIONS - in [mm] |               |               |               |               |
|---------------------|-----------|----------------------|---------------|---------------|---------------|---------------|
|                     |           | A ± .03 [0,8]        | W ± .01 [0,3] | C ± .02 [0,5] | M ± .03 [0,8] | H ± .01 [0,3] |
| P6-8R               | #8        | 1.21 [30,7]          | .47 [11,9]    | .43 [10,9]    | .97 [24,6]    | .17 [4,3]     |
| P6-10R              | #10       | 1.21 [30,7]          | .47 [11,9]    | .43 [10,9]    | .97 [24,6]    | .20 [5,1]     |
| P6-14R              | 1/4"      | 1.21 [30,7]          | .47 [11,9]    | .43 [10,9]    | .97 [24,6]    | .27 [6,9]     |
| P6-56R              | 5/16"     | 1.33 [33,8]          | .62 [15,8]    | .51 [13,0]    | 1.02 [25,9]   | .33 [8,4]     |
| P6-38R              | 3/8"      | 1.33 [33,8]          | .62 [15,8]    | .51 [13,0]    | 1.02 [25,9]   | .39 [9,9]     |
| P6-12R              | 1/2"      | 1.43 [36,3]          | .82 [20,8]    | .51 [13,0]    | 1.02 [25,9]   | .52 [13,2]    |



NOTES:

- UL LISTED AND CSA CERTIFIED FOR:
  - #6 AWG STRANDED COPPER WIRE
  - 302°F (150°C) MAX TEMP RATING
  - 2000 VOLTS MAX
- SEE WWW.PANDUIT.COM FOR PACKAGE QUANTITIES
- MATERIAL:
  - STAMPING - .045" [1,14] THK COPPER, TIN PLATED
- DIMENSIONS IN BRACKETS ARE IN MILLIMETERS
- WIRE STRIP LENGTH:  $7/16" \begin{matrix} +1/32 \\ -0 \end{matrix} [11,1mm \begin{matrix} +0,8 \\ -0 \end{matrix}]$

| UL & CSA TOOL, DIES AND NUMBER OF CRIMPS |            |                  |
|--|------------|------------------|
| TOOL                                     | DIES       | NUMBER OF CRIMPS |
| CT-1701                                  | P6         | 2                |
| CT-2600                                  | CD-2600-P6 | 1                |



| TITLE   |      |          |             |                        |   |
|---|------|----------|-------------|------------------------|---|
| #6 BARREL NON-INSULATED RING TONGUE                             |      |          |             |                        |   |
| CUSTOMER DRAWING  |      |          |             |                        |   |
| ITEM REVISION NAME  |      |          | N41214BB/10 |                        |   |
| DATASET FILE NAME   |      |          | N41214BB/10 |                        |   |
| UNLESS OTHERWISE SPECIFIED, DIMENSIONAL TOLERANCES ARE: IN [mm] |      |          |             |                        | <b>PANDUIT</b><br>MATERIAL:<br>SEE NOTES<br>DRAWING NUMBER:<br>A41214 |
| .X ±  |      | .XXX ±   |             | THIRD ANGLE PROJECTION |   |
| .XX ±   |      | ANGLES ± |             |                        |   |
| DRAWN BY  | DATE | CHK      | SCALE       | SHT 1 OF 1             |   |
| DAW   |      |          | NONE        | A                      |   |

| REV | DATE     | BY   | CHK  | APR  | DESCRIPTION  | ECN             |
|-----|----------|------|------|------|--|-----------------|
| 10  | 10/16/18 | BWG  | BJPU | JADE | REPLACED TABLE WITH NUMBER OF CRIMPS.                                      | 041687/00       |
| 09  | 5/17     | JHNU | TMR  | RGB  | ADDED VOLTAGE RATING   | N41214BB-A41214 |
| 08  | 07/15    | TMR  | TMR  | RGB  | ADDED CT-2600 TO PKG LABEL, ADDED CSA BACK TO DWG, DIE INFO                | N41214BB-A41214 |
| 07  | 07/14    | MBY  | JHNU | RGB  | REVISED NOTES, MOVED TOOLS TO TABLE, REVISED CERTIFICATION, UPDATED BORDER | N41214BB-A41214 |

D1101000DA/16